

ITEM NO.	PART NO.	NO. USED	DESCRIPTION	SUPPLY Q'TY	ITEM NO.	PART NO.	NO. USED	DESCRIPTION	SUPPLY Q'TY
1	949568	1	Lock Nut 8	10	49	966459	1	Ball Spring	
2	949568	1	Lock Nut 8	10	50	966460	1	Steel Ball	
4	949236	2	Machine Screw M5×10	10	51	949245	2	Machine Screw M5×30	10
5	949453	2	Spring Washer M5	10	52	949454	2	Spring Washer M5	10
6	977603	1	Stop Piece		53	977585	1	Ball Holder	
7	949556	1	Nut M6	10	54	977590	1	Knob Screw	
8	949455	1	Spring Washer M6	10	55	949510	3	Rivet D2.5×4.8	10
9	977604	1	Plate		56	977584	1	Miter Scale	
10	977599	1	Pin		57	977589	1	Screw	
11	977600	1	Bearing Bushing (A)		58	949215	1	Machine Screw M4×8	10
12	949432	1	Bolt Washer M6	10	59	949453	1	Spring Washer M4	10
13	949455	1	Spring Washer M6	10	60	949429	1	Bolt Washer M4	10
14	949556	1	Nut	10	61	977587	1	Indicator	
15	949878	1	Spring Pin D8×20	10	62	977591	1	Bar	
16	967150	1	Spring (C)		63	977592	1	Spring Washer M5	
17	977601	1	Rod		64	949792	1	Flat Head Screw M5×6	10
18	977602	1	Holder Plate		65	949749	1	Spring Pin D3×8	
19	949236	2	Machine Screw M5×10	10	66	977513	2	Spacer (A)	10
20	949454	2	Spring Washer M5	10	67	977512	2	Special Screw	
21	949457	2	Spring Washer M5	10	68	949698	3	Bolt 10×30	10
22	949759	2	Hex. Socket Head Bolt M8×30	10	69	949458	3	Bolt Washer M10	10
23	940540	1	Brush Cap		70	977501	1	Extension Table	
24	977598	1	Clamp Nut Assembly M8		71	977500	1	Table	
25	977593	1	Rip Fence Assembly (includes Item 1 – 24, 26 – 39, 321, 322)		72	977501	1	Extension Table	
26	949556	1	Nut M6	10	73	949698	3	Bolt M10×30	10
27	949455	1	Spring Washer M6	10	74	949458	3	Bolt Washer M10	10
28	949432	1	Bolt Washer M6	10	76	977553		Bracket Holder (B)	
29	975326	1	Pinion		77	949458	2	Spring Washer M10	10
30	949236	1	Machine Screw M5×10	10	78	949846	2	Hex. Socket Head Bolt M10×30	10
31	977606	1	Indicator (B)		79	987512	10	Machine Screw M5×16	10
32	949556	1	Nut M6	10	80	949431	10	Bolt Washer M5	10
33	950094	1	Set Screw M6×20		81	977507	1	Rack	
34	977597	1	Knob (B)		82	977508	10	Spacer (B)	10
35	977595	1	Knob (A)		83	977513	2	Spacer (A)	
36	977594	1	Block		84	977512	2	Special Screw	
37	977596	1	Block		85	949510	5	Rivet	10
38	949429	1	Bolt Washer M4	10	86	977505	1	Scale (A)	
39	949216	1	Machine Screw M4×10	10	87	977506	1	Front Guide Bar	
40	977511	1	Connecting Bar		88	977522	1	Set Screw M8×16	
41	977513	2	Spacer (A)		89	949568	1	Lock Nut M8	10
42	948618	4	Cap		90	977524	1	Side Bracket (A)	
43	977512	2	Special Screw		91	949876	2	Spring Pin D8×16	10
44	977510	1	Rear Guide Bar		92	965334	2	Nut M20	
45	949340	4	Flat Head Screw M6×16	10	93	949256	2	Machine Screw M16×16	10
46	977504	1	Table Insert (B) For 10" Saw Blade		94	949455	2	Spring Washer M6	10
47	977583	1	Miter Gauge Assembly (includes Item 48 – 65)		95	977550	1	Chip Shoot	
48	966458	1	Set Screw M8×8		96	949498	1	Spring Pin D4×18	10
					97	977523	1	Worm Gear	



12" TABLE SAW

Model C 12Y

ITEM NO.	PART NO.	NO. USED	DESCRIPTION	SUPPLY QTY	ITEM NO.	PART NO.	NO. USED	DESCRIPTION	SUPPLY QTY
98	949445	1	Washer M10	10	144	977536	1	Sleeve (C)	
99	977528	1	Distance Piece		145	977526	1	Nut M20	
100	977525	1	Sleeve		146	988113	1	HITACHI Label	
101	949455	2	Spring Washer M6	10	147	977607	1	Tilt Scale	
102	949660	2	Hex.Socket Head Bolt M6×20	10	148	—	1	Name Plate	
103	949556	1	Nut M6 (10pcs.)	10	149	949510	4	Rivet D2.5×4.8	10
104	977549	1	Stopper		150	977608	1	Cabinet	
105	949616	1	Bolt M5×25	10	151	—	1	Tube	
106	949454	2	Spring Washer M5	10	152	934028	1	Cord Clip	
107	949236	2	Machine Screw M5×10	10	153	949216	2	Machine Screw M4×10	10
108	977532	1	Indicator Holder		154	949453	2	Spring Washer M4	10
109	977533	1	Indicator (A)		155	976647	1	Cord Armor	
110	949454	1	Spring Washer M5	10	156	988495	5	Bolt M8×16	
111	949236	1	Machine Screw M5×10	10	157	974265	1	Cord Lock	
112	977539	1	Pin D8×12		158	977617	1	Control Box Assembly (for Single Phase 115V)	
113	977538	1	Bracket Holder (A)		—	977619	1	Control Box Assembly (for Single Phase 230V)	
114	949458	2	Spring Washer M10	10	159	973908	1	Bush	
115	949846	2	Hex.Socket Head Bolt M10×30	10	160	949216	2	Machine Screw M4×10	10
116	949498	1	Spring Pin D4×18	10	161	949453	2	Spring Washer M4	10
117	977523	1	Worm Gear		162	973878	1	Button Cover	
118	949445	1	Washer M10	10	165	973940	1	Reset Shaft	
119	977525	1	Sleeve		166	988810	1	Lock Spring	
120	977526	1	Nut M20		167	948643	1	E-Type Retaining Ring	
121	977542	1	Set Collar		168	977634	1	Box Assembly (for Single Phase 115V)	
122	967469	1	Set Screw M6×6			977635	1	Box Assembly (for Single Phase 230V)	
123	977547	1	Stopper Sleeve		169	949238	4	Machine Screw M5×14	10
124	977543	1	Tilt Shaft		170	949454	4	Spring Washer M5	10
125	949498	1	Spring Pin D4×18	10	171	973879	4	Toothed Lock Washer	
126	949458	1	Spring Washer M10	10	172	977640	1	Caution Plate (R)	
127	949637	4	Bolt M10×16	10	173	974265	1	Cord Lock	
128	977531	1	Lock Knob		174	949236	1	Machine Screw M5×10	10
129	977530	1	Handle		175	949454	1	Spring Washer M5	10
130	973144	1	Collar		176	974265	1	Cord Lock (for Single Phase 115V)	
131	977649	2	Rubber Washer			977629	1	Cord Lock Bushing (for Single Phase 230V)	
132	949622	2	Bolt M8×16	10	177	—	1	Tube	
133	949426	2	Bolt Washer M8	10	178	934028	1	Cord Clip	
134	949457	2	Spring Washer M8	10	179	949216	2	Machine Screw M4×10	10
135	977545	1	Handle Boss		180	949453	2	Spring Washer M4	10
136	949510	2	Rivet D2.5×4.8	10	181	500400Z	1	Cord Assembly (for Single Phase 115V)	
137	967469	1	Set Screw M6×6			977642	1	Cord Assembly (for Single Phase 230V)	
138	949498	1	Spring Pin D4×18	10	182	977632	1	Control Box (A) (for Single Phase 115V)	
139	977531	1	Lock Knob			977633	1	Control Box (A) (for Single Phase 230V)	
140	977530	1	Handle		183	973903	1	Thermal Relay (for Single Phase 115V)	
141	977529	1	Elevation Shaft			973933	1	Thermal Relay (for Single Phase 230V)	
142	977537	1	Collar (C)		184	973906	1	Internal Wire	
143	977535	1	Sleeve (B)						

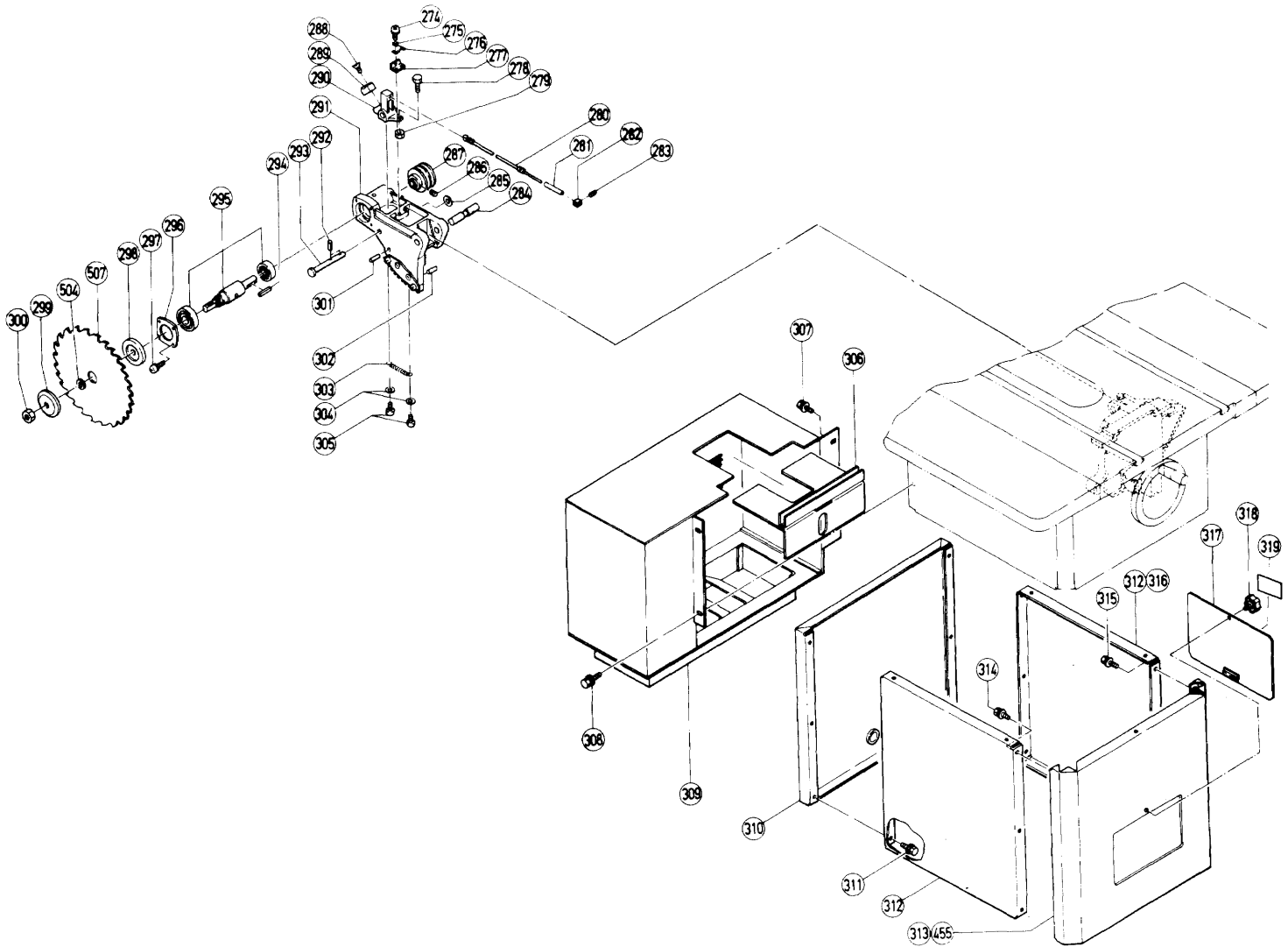
ITEM NO.	PART NO.	NO. USED	DESCRIPTION	SUPPLY Q'TY	ITEM NO.	PART NO.	NO. USED	DESCRIPTION	SUPPLY Q'TY
185	977627	1	Internal Wire (A)		229	949626	1	Bolt M8×25	10
186	973906	1	Internal Wire		230	949568	1	Lock Nut M8	10
187	973907	1	Internal Wire		231	977569	1	Holder Shaft	
188	973906	1	Internal Wire		232	949688	1	Spring Pin D4×40	10
189	973902	1	Magnetic Contactor (for Single Phase 115V)		233	977568	1	Washer	
	977624	1	Magnetic Contactor (for Single Phase 230V)		234	965334	2	Nut M20	
190	977502	1	Internal Wire (A)		235	977615	1	Motor Holder	
191	977628	1	Internal Wire		236	968247	2	Set Screw M6×10	
192	977626	1	Internal Wire (A)		237	949624	3	Bolt M8×20	10
193	977622	1	Switch (A)		238	949457	3	Spring Washer M8	10
194	977623	1	Switch (B)		239	977644	1	Motor Plate	
195	977621	1	Control Cover		240	977630	1	Pulley (A)	
196	986662	1	Machine Screw M4×10		241	975559	1	Key 8×7×38	
197	967579	1	Nylon Clip (for Single Phase 115V)		242	949556	2	Nut M6	10
	966803	1	Nylon Clip (for Single Phase 230V)		243	949660	2	Hex. Socket Head Bolt M6×20	10
198	975114	1	Band		244	974466	2	V-Belt	
199	949454	4	Spring Washer M5	10	245	977616	1	Plate Shaft	
200	949236	4	Machine Screw M5×10	10	246	977646	1	Tension Spring	
201	973868	1	Switch Tube		247	968247	1	Set Screw M6×10	
202	977641	1	Caution Plate (A)		248	977574	1	Blade Guard Assembly (includes Item 249 – 268)	
203	949510	1	Rivet D2.5×4.8	10	249	977577	1	Rivet D6	
204	949556	1	Nut M6	10	250	977578	1	Kick Back Finger	
205	966481	1	Hex. Socket Head Screw M6×16		251	967329	1	Washer (H)	
206	977559	1	Brake Pin (P)		252	977575	1	Splitter	
207	949438	2	Bolt Washer M16	10	253	949216	1	Machine Screw M4×10	10
208	949686	1	Spring Pin D6×40	10	254	949453	2	Spring Washer M4	10
209	977558	1	Handle Box (B)		255	949429	1	Bolt Washer M4	10
210	949515	2	Spring Pin D6×30	10	256	977578	1	Kick Back Finger	
211	965779	1	Brake Spring		257	967329	1	Washer (H)	
212	949432	2	Bolt Washer (M6)	10	258	977579	1	Spring	
213	949254	2	Machine Screw M6×10	10	259	949548	1	Spring Pin D4×25	10
214	977560	1	Handle Holder		260	977577	1	Rivet D6	10
215	977563	1	Brake Shaft		261	967329	1	Washer (H)	
216	932344	1	Grip (A)		262	977576	1	Cover Holder	
217	949458	2	Spring Washer M8	10	263	949429	1	Bolt Washer M4	10
218	949698	2	Bolt M10×30	10	264	949216	1	Machine Screw M4×10	10
219	977566	1	Wire Cover		265	977581	1	Pin	
220	949455	2	Spring Washer M6	10	266	977582	1	Cover	
221	949254	2	Machine Screw M6×10	10	267	949433	1	Bolt Washer	
222	977554	2	Tie Bar		268	949497	1	Spring Pin D4×16	10
223	988495	2	Bolt M8×16		269	949626	1	Bolt M8×25	10
224	977571	1	Riving Knife Holder (B)		270	949457	2	Spring Washer M8	10
225	977552	1	Slide Bracket (B)		271	948541	2	Washer (D)	
226	977570	2	Holder		272	977573	2	Auxiliary Plate	
227	977572	1	Riving Knife Holder (B)		273	988495	1	Bolt M8×16	
228	988495	1	Bolt M8×16						



HITACHI

12" TABLE SAW

Model C 12Y



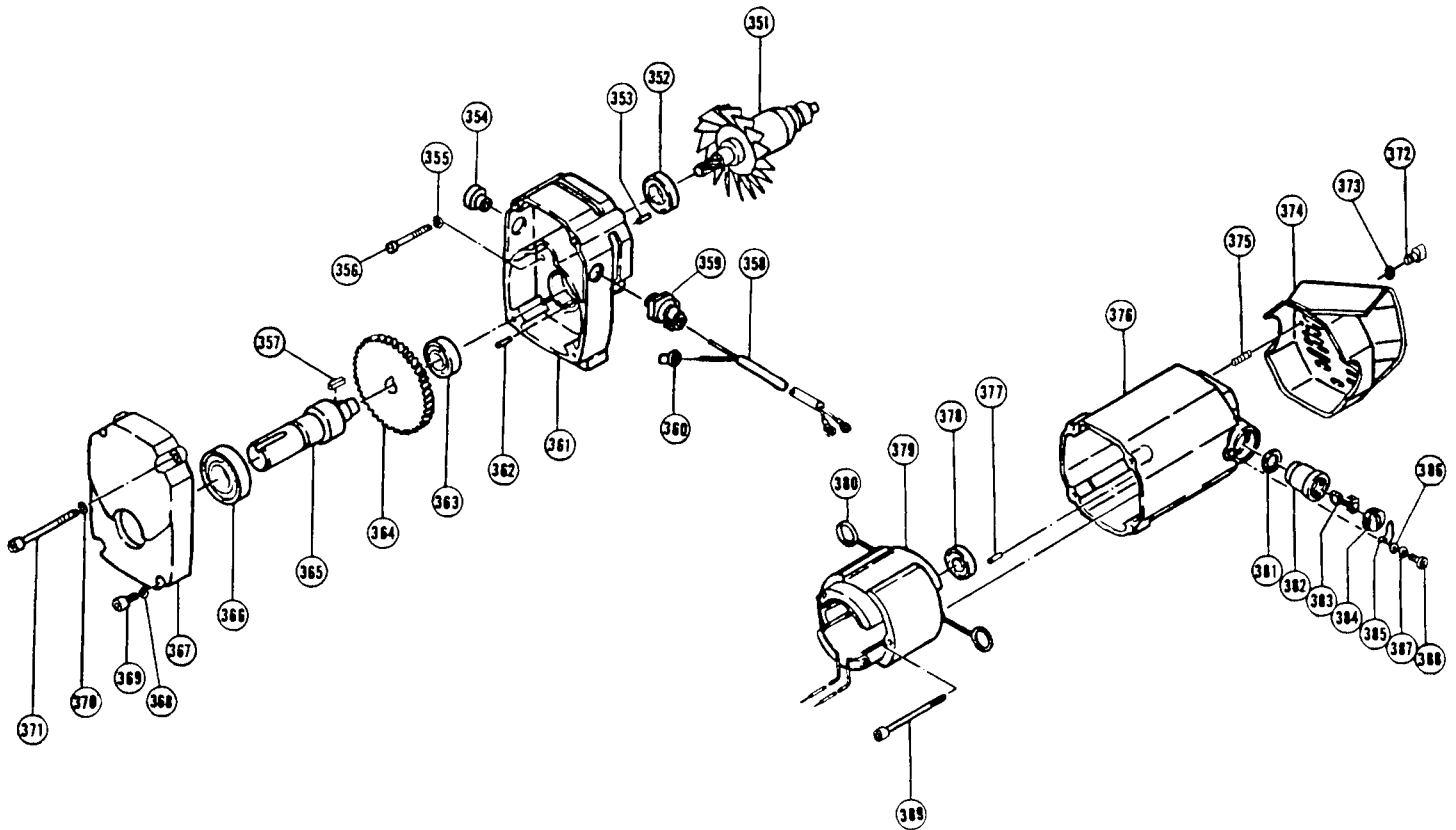
ITEM NO.	PART NO.	NO. USED	DESCRIPTION	SUPPLY Q'TY	ITEM NO.	PART NO.	NO. USED	DESCRIPTION	SUPPLY Q'TY
274	949216	4	Machine Screw M4×10	10	297	987512	4	Machine Screw M5×16	
275	949453	4	Spring Washer M4 (10pcs.)	10	298	988110	1	Washer (B)	
276	932459	2	Hook Holder		299	976810	1	Washer (B)	
277	977565	2	Wire Holder		300	977518	1	Arbor Nut	
278	949616	1	Bolt M6×25	10	301	949880	1	Spring Pin D8×28	10
279	949556	1	Nut M6	10	302	949880	2	Spring Pin D8×28	10
280	977562	1	Brake Wire		303	965779	1	Brake Spring	
281	977561	1	Spacer		304	949432	2	Bolt Washer M6	10
282	977520	1	Cable Clamp		305	949254	2	Machine Screw M6×10	10
283	967377	2	Set Screw M5×8		306	977643	1	Chip Cover	
284	977521	1	Shaft		307	988495	2	Bolt M8×16	
285	949437	1	Bolt Washer M12	10	308	988495	2	Bolt M8×16	
286	967469	2	Set Screw M6×6		309	977645	1	Motor Cover (A)	
287	977516	1	Pulley (B)		310	977610	1	Rear Cover	
288	949334	2	Flat Head Screw M5×16	10	311	988495	6	Bolt M8×16	
289	977556	1	Brake Lining		312	977614	2	Side Cover (B) (since 3.1985)	
290	977555	1	Lining Holder		313	977609	1	Front Cover (till 2.1985)	
291	977514	1	Arbor Bracket		314	988495	3	Bolt M8×16	
292	949548	2	Spring Pin D4×25	10	315	988495	3	Bolt M8×16	
293	977557	1	Brake Pin (A)		316	977611	1	Side Cover (till 2.1985)	
294	966163	1	Key 5×5×35		317	977612	1	Cover	
295	977515	1	Spindle		318	977613	1	Knob Bolt M8×12	
296	967488	1	Bearing Cover		319	977652	1	Label (A)	



HITACHI

12" TABLE SAW

Model C 12Y



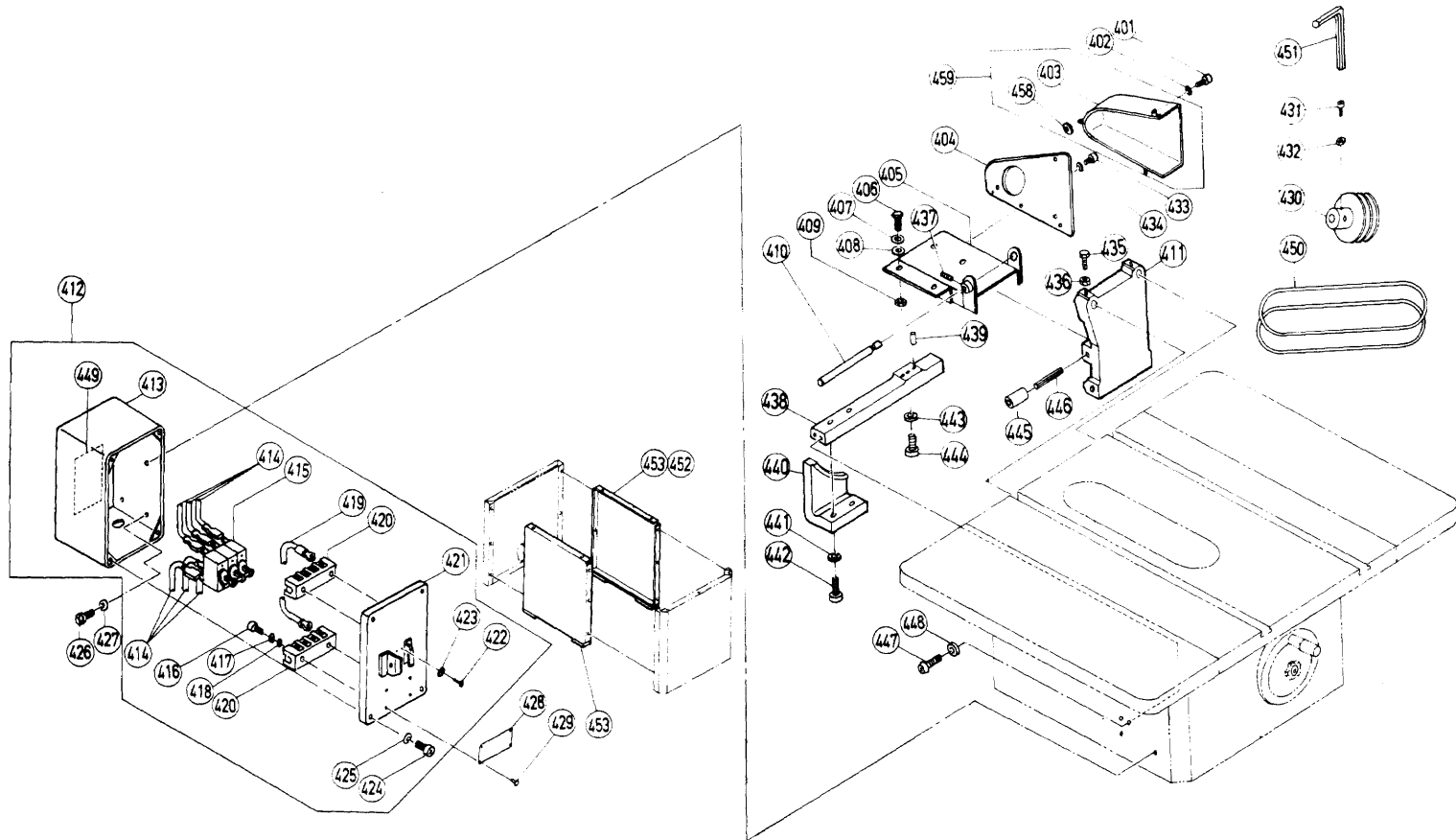
ITEM NO.	PART NO.	NO. USED	DESCRIPTION	SUPPLY Q'TY	ITEM NO.	PART NO.	NO. USED	DESCRIPTION	SUPPLY Q'TY
320	977654	1	Motor Assembly (for Single Phase 115V)		376	951240	2	Housing	
	977656	1	Motor Assembly (for Single Phase 230V)		377	976441	1	Bearing Lock	
321	977651	1	Caution Label		378	6200VV	1	Ball Bearing 6200VVCMP2S	
322	949510	2	Rivet D2.5×4.8	10	379	968914L	1	Stator Assembly (for Single Phase 115V)	
351	977660A	1	Armature Assembly (for Single Phase 115V)			977658C	1	Stator Assembly (for Single Phase 230V)	
	977660B	1	Armature Assembly (for Single Phase 230V)		380	998744	2	Brush Terminal (old 957004)	
352	6202VV	1	Ball Bearing 6202VVCMP2S		381	976307	2	Stop Plate	
353	976441	1	Bearing Lock		382	978441	2	Brush Holder (old 957001)	
354	988042	1	Cap		383	974611Z	2	Carbon Brush	2
355	949455	2	Spring Washer M6	10	384	978445	2	Brush Cap (old 940540)	
356	949264	2	Machine Screw M6×40	10	385	968919	2	Spring	
357	930511	1	Feather Key 4×4×10		386	949431	2	Bolt Washer M5	10
358	500242Z	1	Cord		387	949454	2	Spring Washer M5	10
359	974265	1	Cord Lock		388	949236	2	Machine Screw M5×10	10
360	959141	2	Connector 50092	10	389	976738	2	Machine Screw M5×80	
361	977882	1	Gear Cover		401	949255	3	Machine Screw M6×12	10
362	976441	1	Bearing Lock		402	949455	3	Spring Washer M6	10
363	6202VV	1	Ball Bearing 6202VVCMP2S		403	977639	1	Belt Guard	
364	974722	1	Gear		404	977509	1	Cover Plate	
365	974729	1	Spindle		405	977527	1	Motor Plate	
366	6205VV	1	Ball Bearing 6205VVCMP2S		406	949639	4	Bolt 10×25	10
367	974723	1	Cover		407	949458	4	Spring Washer M10	10
368	949455	2	Spring Washer M6	10	408	949434	4	Bolt Washer M8	10
369	949652	2	Hex.Socket Head Bolt M6×25	10	409	949560	4	Nut M10	10
370	949455	2	Spindle Washer M6	10	410	977534	1	Plate Sheet	
371	949835	2	Hex.Socket Head Bolt M6×85	10	411	977544	1	Motor Holder	
372	949236	2	Machine Screw M5×10	10	412	977546	1	Switch Box Assembly (includes Item 413 - 425)	
373	949454	2	Spring Washer M5	10	413	977551	1	Switch Box (A)	
374	977653	1	Tail Cover		414	977564	6	Internal Wire	6
375	952384	2	Set Screw M5×10						



HITACHI

12" TABLE SAW

Model C 12Y



ITEM NO.	PART NO.	NO. USED	DESCRIPTION	SUPPLY Q'TY	ITEM NO.	PART NO.	NO. USED	DESCRIPTION	SUPPLY Q'TY
415	977567	1	Switch (Lever Type)		442	949692	2	Hex. Socket Head Bolt M6×35	10
416	949219	4	Machine Screw M5×20	10	443	949432	1	Bolt Washer For M6	10
417	949453	4	Spring Washer M5	10	444	949832	1	Hex. Socket Head Bolt M6×45	10
418	949429	4	Bolt Washer M5	10	445	977684	1	Cushion	
419	977586	1	Earth Wire		446	949889	1	Spring Pin D10×40	10
420	977588	1	Terminal Block		447	949820	4	Hex. Socket Head Bolt M5×15	10
421	977605	1	Switch Box (B)		448	949431	4	Bolt Washer M5	10
422	949202	6	Machine Screw M3×6	10	449	977687	1	Wiring Diagram	
423	949451	6	Spring Washer M3	10	450	968630	2	V-Belt	
424	949236	4	Machine Screw M5×10	10	451	944459	1	Hex. Socket Screw Key	
425	949454	4	Spring Washer M5	10	452	977675	1	Side Cover (C) (till 3.1985)	
426	949820	4	Hex. Socket Bolt M5×15	10	453	977676	2	Side Cover (D) (since 3.1985)	
427	949434	4	Spring Washer M10	10	454	949431	1	Bolt Washer M5	10
428	977641	1	Caution Plate (A)		455	978150	1	Front Cover (B) (since 3.1985)	
429	949510	4	Rivet D2.5×4.8	10	456	949556	2	Nut M6	10
430	977659	1	Pulley (C)		457	950094	2	Set Screw M6×20	
431	949660	2	Hex. Socket Head Bolt M6×20	10	458	965167	3	Washer	
432	949567	2	Lock Nut M6	10	459	978151	1	Belt Guard Assembly (includes item No.403,458)	
433	949263	3	Machine Screw M6×35	10	501	977541	1	Arbor Wrench 24	
434	949455	3	Spring Washer M6	10	502	974604	1	Wrench 13×17	
435	975357	2	High Tension Bolt M8×35		503	974965Z	1	Screw Driver (Plus)	
436	949568	2	Nut M8	10	504	976819	1	Collar (B) For 12" Saw Blade	
437	968247	1	Set Screw M6×10		505	977540	1	Lock Pin	
438	977682	1	Stay		506	977503	1	Table Insert (A) For 12" Saw Blade	
439	949892	2	Pin D6×12	10	507	977670	1	Combination Saw Blade (B) 305MM - D25.4 Hole	
440	977683	1	Hinge		614	977689	1	Column Set	
441	949432	2	Bolt Washer M6	10					