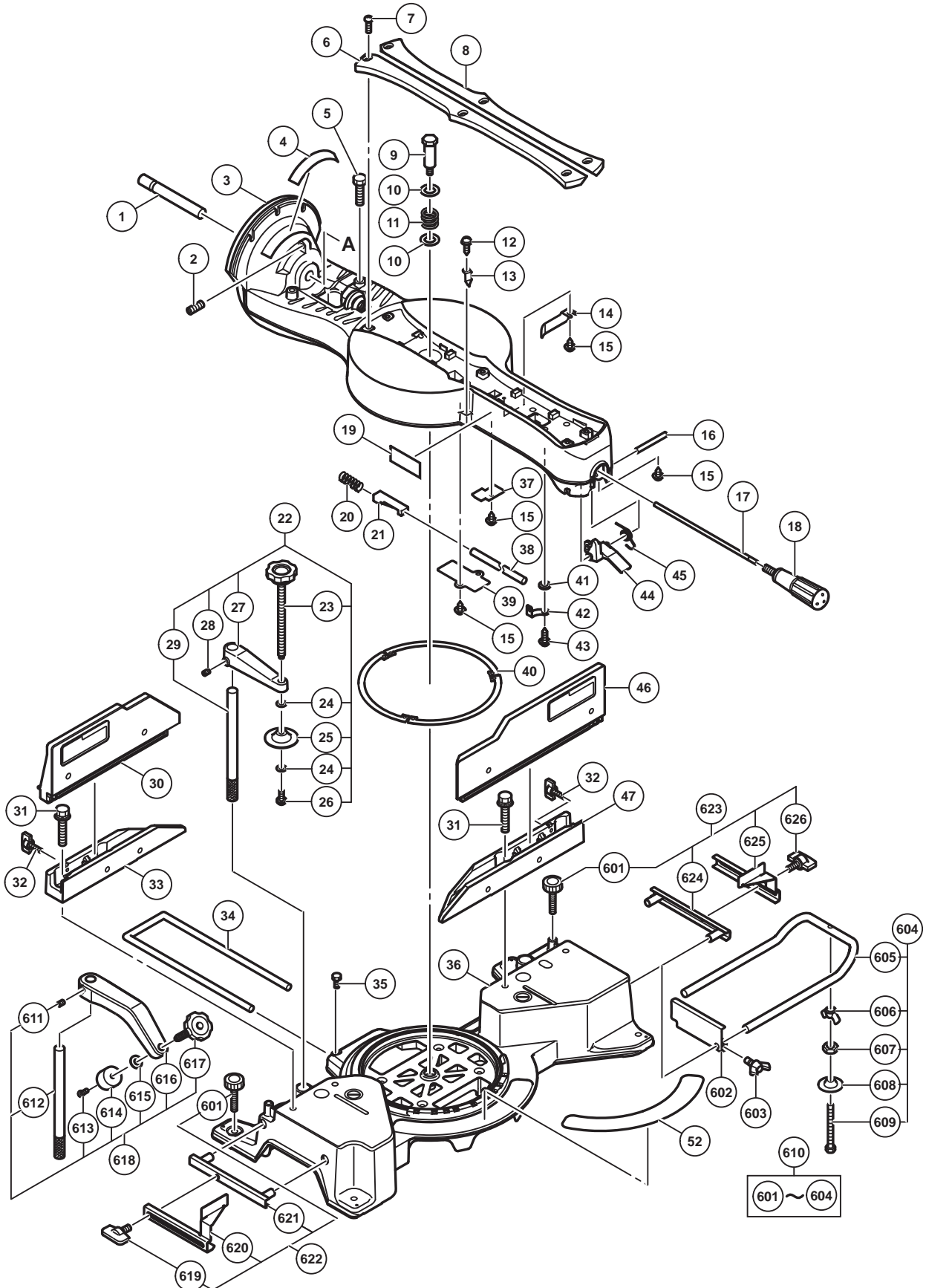
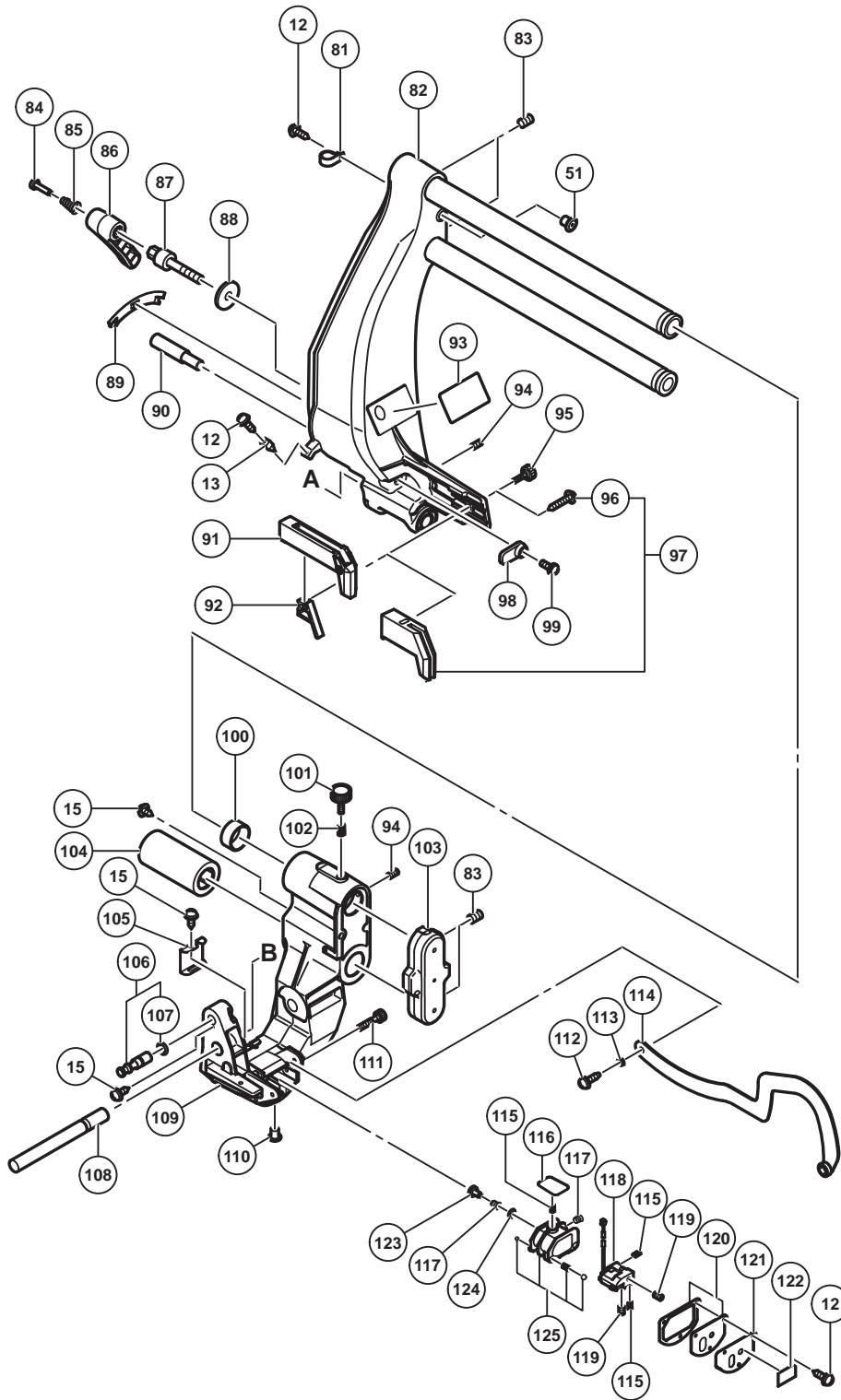


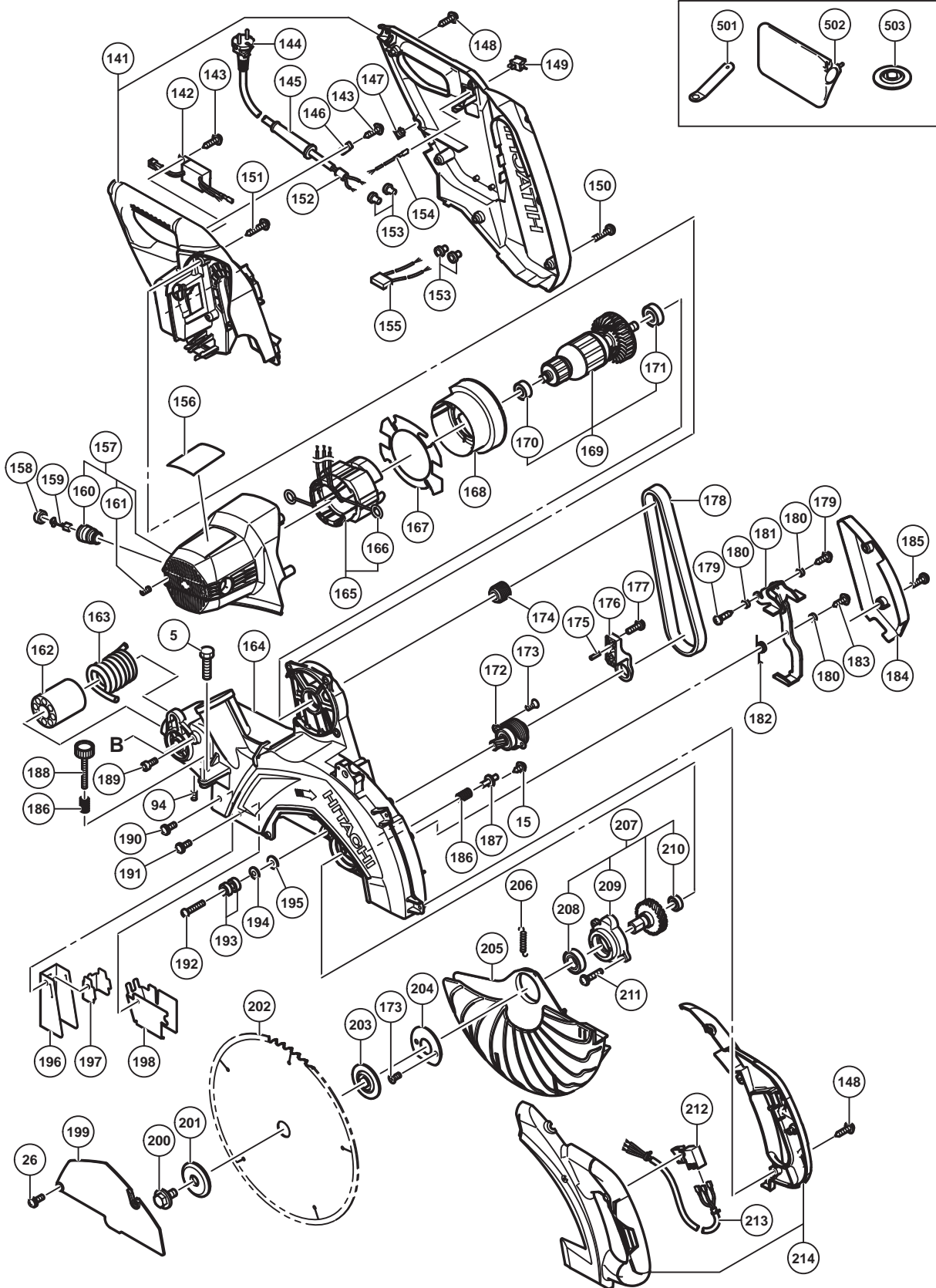
## ELECTRIC TOOL PARTS LIST

### SLIDE COMPOUND MITER SAW Model C 12RSH2

2015-11-18  
(E1)







**PARTS**

C 12RSH2

ITEM NO.	CODE NO.	DESCRIPTION	NO. USED	REMARKS
1	339629	SHAFT (C) D16	1	
2	324612	NYLOCK HEX. SOCKET SET SCREW M8 X 16	1	
3	339633	TURN TABLE	1	
4	324416	SCALE (B)	1	
5	303409	NYLOCK BOLT M8 X 25	3	
6	324411	TABLE INSERT (B)	1	
7	302317	MACHINE SCREW M5 X 16 (BLACK)	6	
8	324410	TABLE INSERT (A)	1	
9	324401	SHAFT (B)	1	
10	955818	BOLT WASHER M16	2	
11	324402	SPRING (B)	1	
12	949429	BOLT WASHER M4 (10 PCS.)	7	
13	321329	INDICATOR	3	
14	321342	SPACER (A)	1	
15	887015	TAP TIGHT (W/BOLT WASHER) M4	8	
16	321339	LEVER SHAFT	1	
17	334378	SHAFT (A)	1	
18	322283	SIDE HANDLE	1	
* 19		CAUTION LABEL (C)	1	FOR USA,CAN
20	321417	SPRING (E)	1	
21	322280	STOPPER (A)	1	
22	339624	WISE ASS'Y	1	INCLUD.23-29
23	339625	KNOB BOLT M10	1	
24	996722	WASHER	2	
25	322047	WISE PLATE	1	
26	996247	MACHINE SCREW (W/WASHERS) M5 X 12 (BLACK)	3	
27		SCREW HOLDER	1	
28	307956	SEAL LOCK HEX. SOCKET SET SCREW M6 X 10	1	
29	339626	WISE SHAFT	1	
30	339657	SUB FENCE (B)	1	
31	307221	BOLT (W/WASHERS) M8 X 35 (BLACK)	4	
32	322959	WING BOLT M6 X 22	2	
33	339628	FENCE (B)	1	
34	998834	HOLDER	1	
35	949610	BOLT M6 X 10 (10 PCS.)	1	
36	339631	BASE ASS'Y	1	INCLUD.52
37	324395	COVER (B)	1	
38	324396	SHAFT (C) D6	1	
39	321336	PIN COVER	1	
40	324400	LINER	3	
41	949431	BOLT WASHER M5 (10 PCS.)	1	
42	321331	PLATE	1	
43	995096	MACHINE SCREW (W/WASHERS) M5 X 20 (BLACK)	1	
44	321338	LEVER	1	
45	321340	SPRING (D)	1	
46	339656	SUB FENCE (A)	1	
47	339627	FENCE (A)	1	
51	323606	BASE RUBBER	1	
52	370011	SCALE (A)	1	
* 81	948614	NYLON CLIP	1	

**PARTS**

C 12RSH2

ITEM NO.	CODE NO.	DESCRIPTION	NO. USED	REMARKS	
*	81	948193	NYLON CLIP	1	FOR USA,CAN,UAE (110V),GBR (110V)
*	81	967579	NYLON CLIP	1	FOR TPE
*	82	339732	HOLDER (A) ASS'Y	1	INCLUD.51,83,93,103
*	82	339733	HOLDER (A) ASS'Y	1	INCLUD.51,83,93,103 FOR CHN
	83	961554	HEX. SOCKET SET SCREW M8 X 10	4	
	84	339621	CLUTCH SCREW	1	
	85	339620	CLUTCH SPRING	1	
	86	339619	CLAMP LEVER	1	
	87	339618	BOLT (LEFT HAND) D10	1	
	88	339622	WASHER	1	
	89	339623	LINER (A)	1	
	90	324420	SET PIN (A)	1	
*	91	326828	GUARD	1	EXCEPT FOR USA,CAN
*	92	331845	GUARD HOLDER	1	EXCEPT FOR USA,CAN
	93		CAUTION LABEL (B)	1	
	94	307956	SEAL LOCK HEX. SOCKET SET SCREW M6 X 10	3	
*	95	998879	KNOB BOLT	1	EXCEPT FOR USA,CAN
*	96	305558	TAPPING SCREW (W/FLANGE) D5 X 25 (BLACK)	1	FOR USA,CAN
*	97	324372	GUARD ASS'Y	1	INCLUD.96 FOR USA,CAN
	98	324421	GRIP	1	
	99	307294	MACHINE SCREW (W/WASHERS) M5 X 16 (BLACK)	1	
	100	324415	BUSHING	1	
	101	324418	KNOB BOLT M6 X 25	1	
	102	947859	LOCK SPRING	1	
	103	324417	SUPPORT	1	
	104	324414	BALL BUSHING	1	
	105	320183	COVER	1	
	106	324419	STOPPER PIN ASS'Y	1	INCLUD.107
	107	872645	O-RING (P-9)	1	
	108	324387	HINGE SHAFT (A)	1	
	109	324467	HINGE (A)	1	
	110	312672	BASE RUBBER	1	
	111	319270	ADJUSTER	1	
	112	949237	MACHINE SCREW M5 X 12 (10 PCS.)	1	
	113	303854	SPACER	1	
*	114	324376	LINK	1	
*	114	328522	LINK	1	FOR EUROPE,GBR,RUS,AUS,NZL,BRA
	115	319267	SPRING	3	
	116	319268	PLATE (B)	1	
	117	305179	CLUTCH SPRING	2	
	118	329863	LASER MARKER	1	
	119	319541	SEAL LOCK HEX. SOCKET SET SCREW M5 X 6	2	
	120	319271	COVER (A)	1	
	121	322291	PLATE (A)	1	
	122		CAUTION LABEL (J)	1	
	123	305180	CLUTCH SCREW	1	
	124	962614	ADJUSTING WASHER (B) T0.5	1	
	125	319269	HOLDER (B)	1	
	141	339644	HANDLE (L).(R) SET	1	
*	142	323978	SWITCHING POWER SUPPLY	1	

## PARTS

C 12RSH2

ITEM NO.	CODE NO.	DESCRIPTION	NO. USED	REMARKS
* 142	324322	SWITCHING POWER SUPPLY	1	FOR UAE,TPE,GBR (110V)
* 142	325280	SWITCHING POWER SUPPLY	1	FOR USA,CAN
143	984750	TAPPING SCREW (W/FLANGE) D4 X 16	3	
* 144	500247Z	CORD	1	(CORD ARMOR D10.1)
* 144	500234Z	CORD	1	(CORD ARMOR D10.1) FOR RUS,INA,UAE(220V)
* 144	500423Z	CORD	1	(CORD ARMOR D10.1) FOR GBR(230V),SIN,MAL
* 144	500439Z	CORD	1	(CORD ARMOR D10.1) FOR AUS,NZL
* 144	500453Z	CORD	1	(CORD ARMOR D10.1) FOR USA,CAN
* 144	500474Z	CORD	1	(CORD ARMOR D10.1) FOR UAE (110V),TPE
* 144	500455Z	CORD	1	(CORD ARMOR D10.1) FOR THA,PHI
* 144	500463Z	CORD	1	(CORD ARMOR D10.1) FOR GBR (110V)
* 144	500456Z	CORD	1	(CORD ARMOR D10.1) FOR CHN
* 144	500487Z	CORD	1	(CORD ARMOR D10.1) FOR BRA
145	938051	CORD ARMOR D10.1	1	
146	937631	CORD CLIP	1	
147	319349	CORD BUSH	1	
148	301653	TAPPING SCREW (W/FLANGE) D4 X 20 (BLACK)	7	
149	319503	SWITCH (W/COVER)	1	
150	880734	MACHINE SCREW (W/WASHERS) M5 X 25 (BLACK)	4	
151	305558	TAPPING SCREW (W/FLANGE) D5 X 25 (BLACK)	4	
* 152	324518	FERRITE CORE	1	EXCEPT FOR NZL,USA,CAN
* 153	959141	CONNECTOR 50092 (10 PCS.)	4	
* 153	959141	CONNECTOR 50092 (10 PCS.)	3	FOR NZL
154	324458	INTERNAL WIRE (C)	1	
* 155	334380	NOISE SUPPRESSOR	1	EXCEPT FOR UAE,TPE,GBR (110V),USA,CAN
* 155	336582	NOISE SUPPRESSOR	1	FOR UAE,TPE,GBR (110V)
156		NAME PLATE	1	
157	339643	HOUSING ASS'Y	1	INCLUD.160,161
158	945161	BRUSH CAP	2	
* 159	999038	CARBON BRUSH (1 PAIR)	2	FOR 110V-120V
* 159	999065	CARBON BRUSH (1 PAIR)	2	FOR 220V-240V
160	938241	BRUSH HOLDER	2	
161	938477	HEX. SOCKET SET SCREW M5 X 8	2	
162	324388	SLEEVE	1	
163	310898	SPRING	1	
164	339640	GEAR CASE	1	
* 165	340924D	STATOR ASS'Y (A) 110V	1	INCLUD.166
* 165	340924C	STATOR ASS'Y (A) 120V	1	INCLUD.166
* 165	340926E	STATOR ASS'Y (C) 230V	1	INCLUD.166 FOR NZL
* 165	340925E	STATOR ASS'Y (B) 220V-240V	1	INCLUD.166
166	937623	BRUSH TERMINAL	2	
167	339734	END PLATE	1	
168	339642	FAN GUIDE	1	
* 169	361021B	ARMATURE ASS'Y 110V-120V	1	INCLUD.170,171,178
* 169	361021C	ARMATURE ASS'Y 220V-230V	1	INCLUD.170,171,178
* 169	361021D	ARMATURE ASS'Y 240V	1	INCLUD.170,171,178
170	6000VV	BALL BEARING 6000VVCMP2L	1	
171	6201VV	BALL BEARING 6201VVCMP2L	1	
172	339641	PINION SET	1	
173	949322	FLAT HD. SCREW M4 X 10 (10 PCS.)	4	

**PARTS**

C 12RSH2

ITEM NO.	CODE NO.	DESCRIPTION	NO. USED	REMARKS
174	324443	PULLEY (A)	1	
175	983545	NEEDLE ROLLER	2	
176	325259	BEARING HOLDER (B)	1	
177	995096	MACHINE SCREW (W/WASHERS) M5 X 20 (BLACK)	2	
178	324427	BELT (200H10) 16 X 508	1	
* 179	307811	TAPPING SCREW (W/FLANGE) D4 X 16 (BLACK)	2	FOR EUROPE,GBR,RUS,AUS,NZL,BRA
* 180	302757	SPACER	3	FOR EUROPE,GBR,RUS,AUS,NZL,BRA
* 181	328518	LEVER	1	FOR EUROPE,GBR,RUS,AUS,NZL,BRA
* 182	322457	LEVER SPRING	1	FOR EUROPE,GBR,RUS,AUS,NZL,BRA
* 183	954878	MACHINE SCREW (W/WASHERS) M4 X 16	1	FOR EUROPE,GBR,RUS,AUS,NZL,BRA
* 184	339651	LEVER COVER	1	FOR EUROPE,GBR,RUS,AUS,NZL,BRA
* 185	995096	MACHINE SCREW (W/WASHERS) M5 X 20 (BLACK)	2	FOR EUROPE,GBR,RUS,AUS,NZL,BRA
186	988821	LOCK SPRING	2	
187	307732	STOPPER PIN	1	
188	961468	KNOB BOLT M6 X 37	1	
189	877839	SEAL LOCK HEX. SOCKET HD. BOLT M5 X 10	1	
190	935196	MACHINE SCREW (W/WASHERS) M4 X 12 (BLACK)	1	
* 191	336342	MACHINE SCREW (W/WASHERS) M5 X 10 (BLACK)	1	FOR EUROPE,GBR,RUS
192	949260	MACHINE SCREW M6 X 25 (10 PCS.)	1	
193	606ZZM	BALL BEARING 606VV	2	
194	949455	SPRING WASHER M6 (10 PCS.)	1	
195	949425	WASHER M6 (10 PCS.)	1	
196	339649	DUST GUIDE	1	
197	339648	GUIDE HOLDER	1	
* 198	339650	GUARD (D)	1	FOR EUROPE,GBR,RUS
199	339653	SPINDLE COVER	1	
200	988101	BOLT (A) M10	1	
* 201	339652	WASHER (B)	1	
* 201	324633	WASHER (D)	1	FOR EUROPE,GBR,RUS,BRA
* 202	328213	TCT SAW BLADE 305MM-D30 HOLE-NT60	1	
* 202	328326	TCT SAW BLADE 305MM-D25.4 HOLE-NT60	1	
* 202	324269	TCT SAW BLADE 305MM-D25.4 HOLE-NT120	1	
* 203	324452	WASHER (A)	1	
* 203	328520	WASHER (C)	1	FOR EUROPE,GBR,RUS,BRA
204	307731	COVER	1	
* 205	339654	PROTECTIVE COVER	1	
* 205	339655	PROTECTIVE COVER	1	FOR EUROPE,GBR,RUS
206	328188	RETURN SPRING (B)	1	
207	324438	SPINDLE ASS'Y	1	INCLUD.208-210
208	327694	BALL BEARING 6003VVCM (NYLON RETAINER)	1	
209	324439	BEARING HOLDER	1	
210	608VVM	BALL BEARING 608VVC2PS2L	1	
211	333963	MACHINE SCREW (W/SP. WASHER) M5 X 20	2	
212	324424	SWITCH (3P FASTON TYPE) W/O LOCK	1	
* 213	339636	INTERNAL WIRE (A)	1	
* 213	339637	INTERNAL WIRE (A)	1	FOR NZL
214	339646	SWITCH HANDLE (L).(R) SET	1	

### STANDARD ACCESSORIES

C 12RSH2

ITEM NO.	CODE NO.	DESCRIPTION	NO. USED	REMARKS
501	333732	WRENCH	1	
502	322955	DUST BAG (BLACK)	1	
* 503	328520	WASHER (C)	1	FOR AUS

### OPTIONAL ACCESSORIES

ITEM NO.	CODE NO.	DESCRIPTION	NO. USED	REMARKS
601	960017	KNOB BOLT M6 X 32	2	
602	974561	STOPPER	1	
603	949404	WING BOLT M6 X 20 (10 PCS.)	1	
604	324464	HOLDER ASS'Y	2	INCLUD.605-609
605	321549	HOLDER	2	
606	949313	WING NUT M6 (10 PCS.)	2	
607	949556	NUT M6 (10 PCS.)	2	
608	322047	WISE PLATE	2	
609	324412	HIGH TENSION BOLT M6 X 95	2	
610	324369	EXTENSION HOLDER AND STOPPER	1	INCLUD.601-604
611	307956	SEAL LOCK HEX. SOCKET SET SCREW M6 X 10	1	
612	339626	WISE SHAFT	1	
613	304043	MACHINE SCREW (W/WASHERS) M4 X 10 (BLACK)	1	
614	964851	BASE RUBBER	1	
615	322677	WASHER (H)	1	
616	339661	SCREW HOLDER (B)	1	
617	339662	KNOB BOLT M10	1	
618	339660	WISE (B) ASS'Y	1	INCLUD.611-617
619	301806	WING BOLT M6 X 15	1	
620		CROWN MOLDING STOPPER (L)	1	
621	321390	CROWN MOLDING STOPPER HOLDER	1	
622	339730	CROWN MOLDING STOPPER (L) ASS'Y	1	INCLUD.601,619-621
623	339731	CROWN MOLDING STOPPER (R) ASS'Y	1	INCLUD.601,624-626
624	321390	CROWN MOLDING STOPPER HOLDER	1	
625		CROWN MOLDING STOPPER (R)	1	
626	301806	WING BOLT M6 X 15	1	