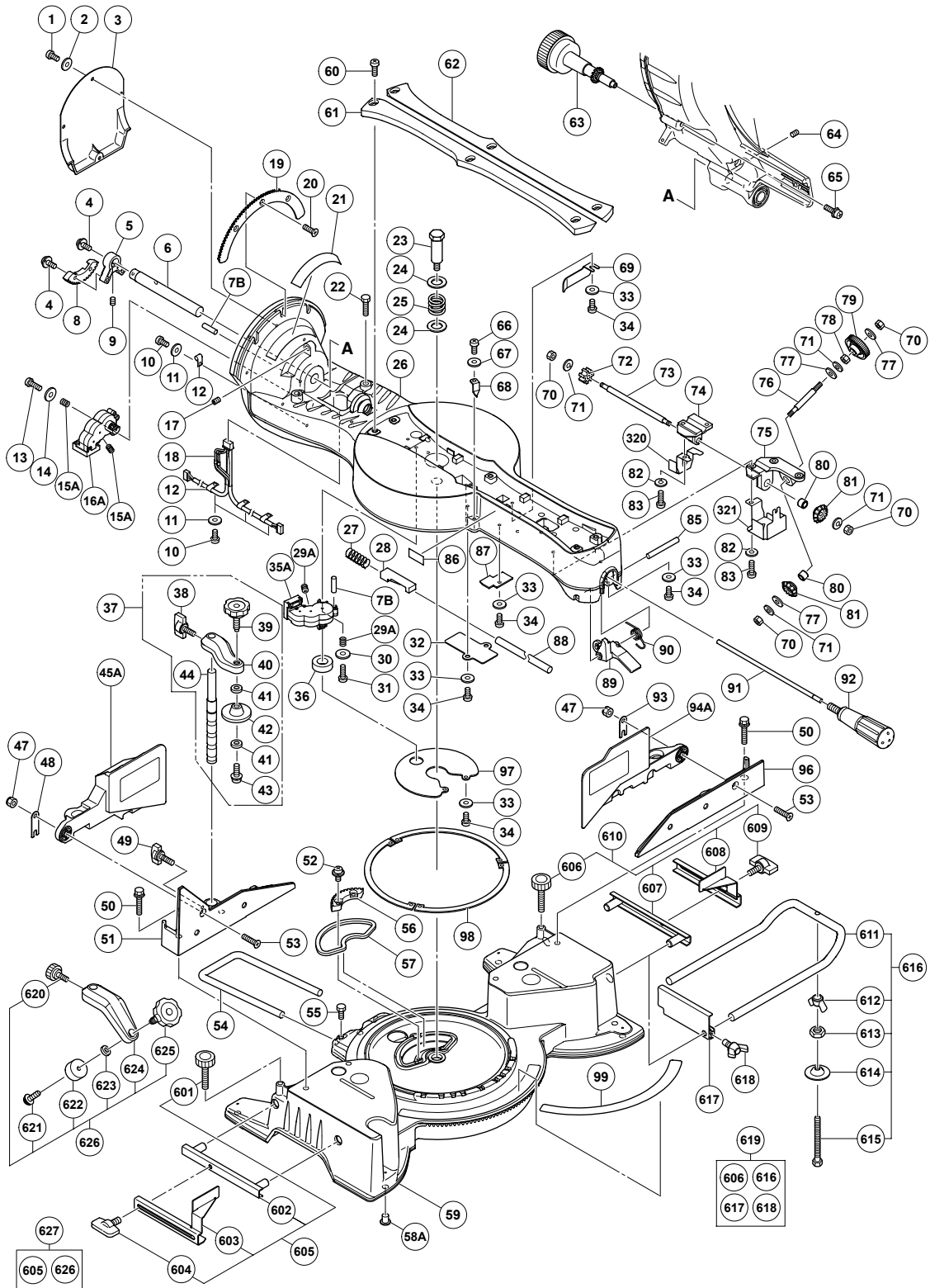
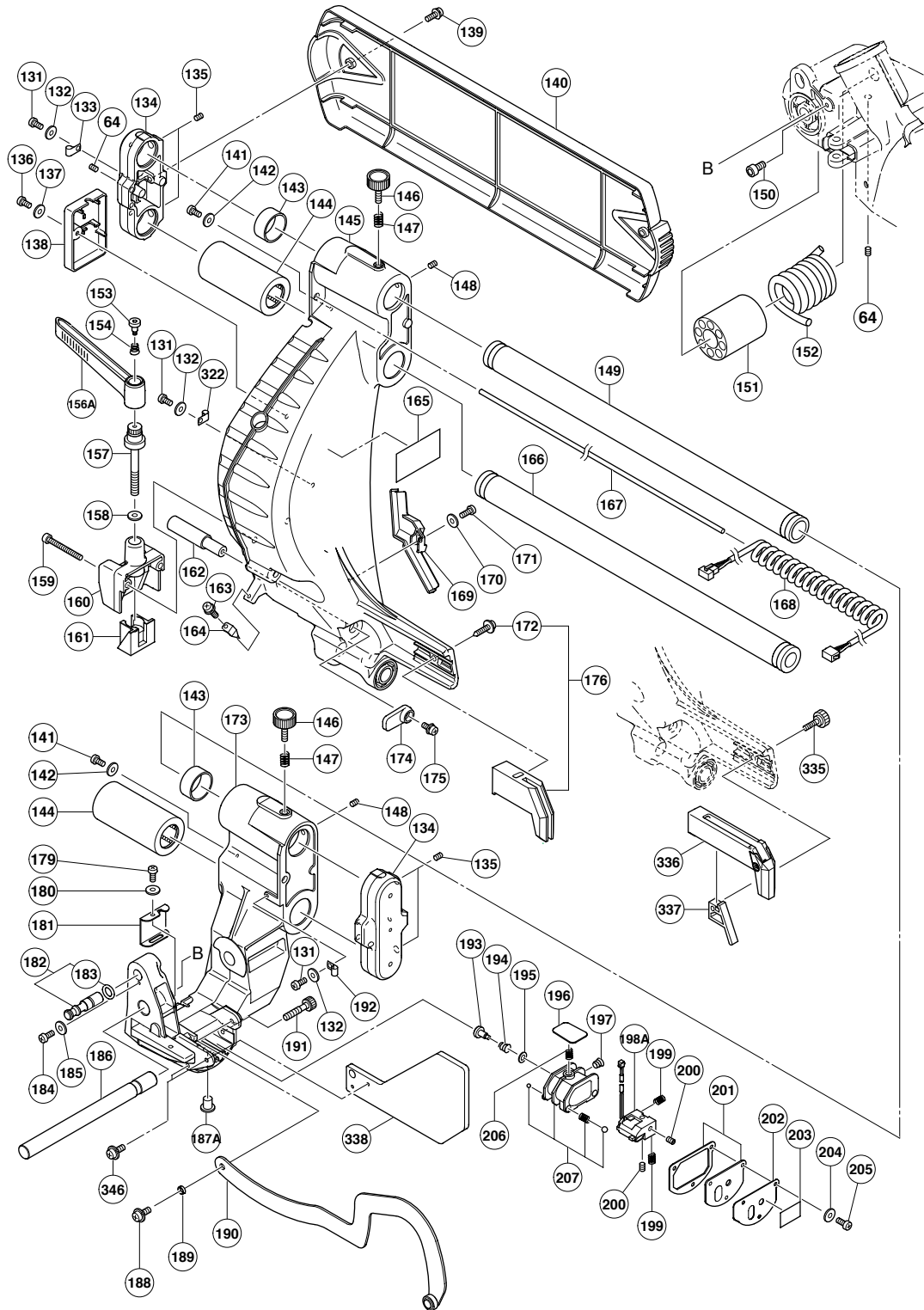
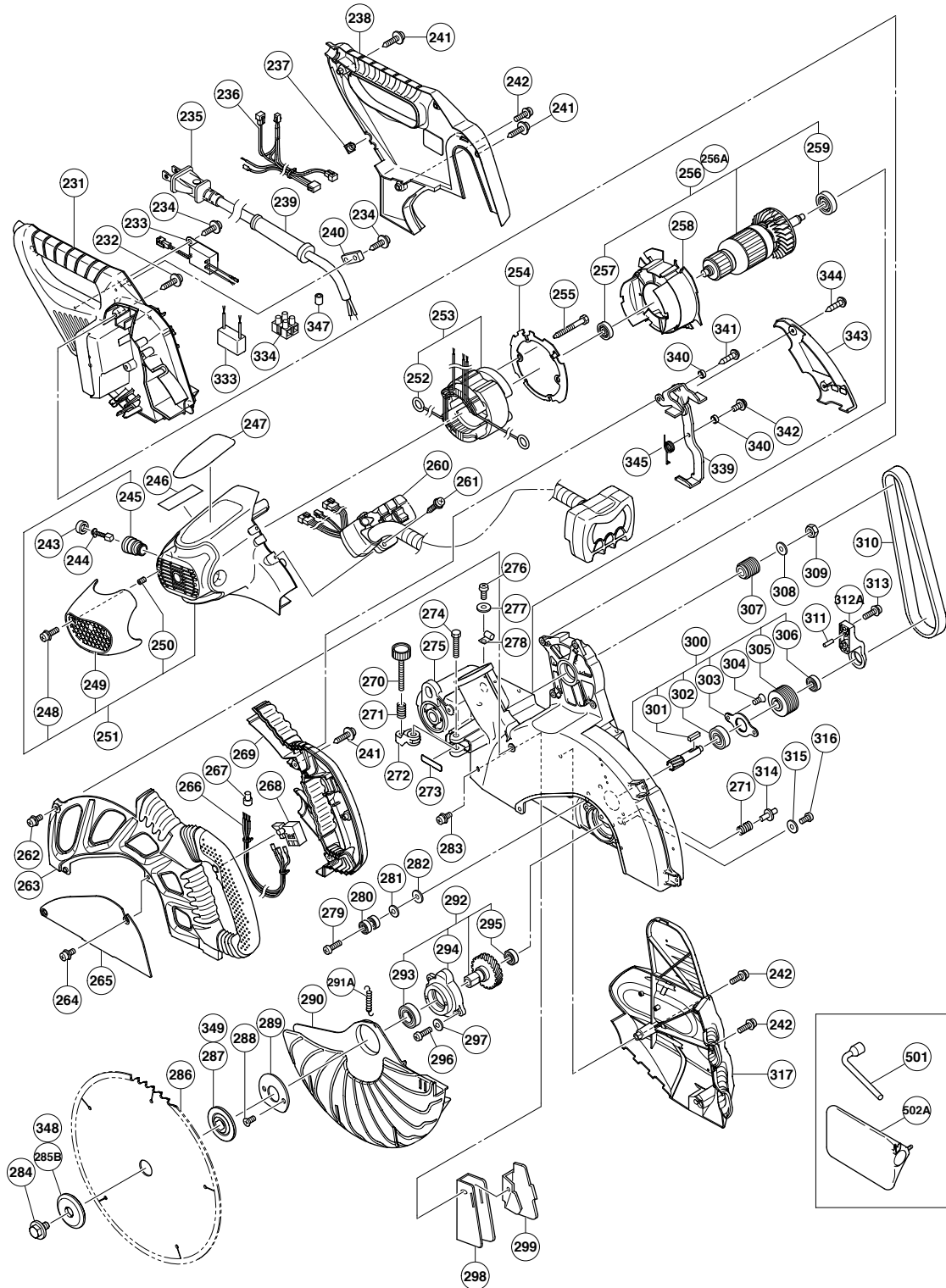


## ELECTRIC TOOL PARTS LIST

### ■ SLIDE COMPOUND MITER SAW 2007 · 5 · 11 Model C 12LSH (E2)







**PARTS**

C 12LSH

ITEM NO.	CODE NO.	DESCRIPTION	NO. USED	REMARKS
1	949-217	MACHINE SCREW M4X12 (10 PCS.)	4	
2	949-429	BOLT WASHER M4 (10 PCS.)	4	
3	324-371	COVER (B)	1	
4	987-512	MACHINE SCREW (W/SP. WASHER) M5X16	3	
5	324-390	SUPPORT (E)	1	
6	324-391	HOLDER SHAFT	1	
7B	305-592	NEEDLE D5X19.8	2	
8	323-604	GEAR (A)	1	
9	307-956	SEAL LOCK HEX. SOCKET SET SCREW M6X10	1	
10	949-217	MACHINE SCREW M4X12 (10 PCS.)	4	
11	949-429	BOLT WASHER M4 (10 PCS.)	4	
12	973-313	NYLON CLIP	4	
13	949-241	MACHINE SCREW M5X20 (10 PCS.)	1	
14	949-432	BOLT WASHER M6 (10 PCS.)	1	
15A	323-142	SPRING (C)	2	
16A	323-619	ENCODER	1	
17	324-612	NYLOCK HEX. SOCKET SET SCREW M8X16	1	
18	324-398	CORD (C)	1	
19	324-399	GEAR (A)	1	
20	949-325	FLAT HD. SCREW M4X16 (10 PCS.)	3	
21	324-416	SCALE (B)	1	
22	303-409	NYLOCK BOLT M8X25	2	
23	324-401	SHAFT (B)	1	
24	955-818	BOLT WASHER M16	2	
25	324-402	SPRING (B)	1	
26	324-394	TURN TABLE	1	
27	321-417	SPRING (E)	1	
28	322-280	STOPPER (A)	1	
29A	323-142	SPRING (C)	2	
30	949-432	BOLT WASHER M6 (10 PCS.)	1	
31	949-241	MACHINE SCREW M5X20 (10 PCS.)	1	
32	321-336	PIN COVER	1	
33	949-429	BOLT WASHER M4 (10 PCS.)	5	
34	949-215	MACHINE SCREW M4X8 (10 PCS.)	5	
35A	323-619	ENCODER	1	
36	323-622	PACKING (B)	1	
37	324-378	WISE ASS'Y	1	INCLUD. 38-44
38	307-947	WING BOLT M6X12	1	
39	308-396	KNOB BOLT M10	1	
40		SCREW HOLDER	1	
41	996-722	WASHER	2	
42	322-047	WISE PLATE	1	
43	996-247	MACHINE SCREW (W/WASHERS) M5X12 (BLACK)	1	
44	324-380	WISE SHAFT	1	
45A	324-454	SUB FENCE (B)	1	
47	311-144	NYLON NUT M6	2	
48	324-377	PLATE (B)	1	
49	302-459	WING BOLT M6X17	1	
50	307-221	BOLT (W/WASHERS) M8X35 (BLACK)	4	
51	324-385	FENCE (B)	1	
52	987-512	MACHINE SCREW (W/SP. WASHER) M5X16	2	

**PARTS**

C 12LSH

ITEM NO.	CODE NO.	DESCRIPTION	NO. USED	REMARKS	
53	949-342	FLAT HD. SCREW M6X25 (10 PCS.)	2		
54	998-834	HOLDER	1		
55	949-610	BOLT M6X10 (10 PCS.)	1		
56	323-604	GEAR (A)	1		
57	323-603	PACKING (A)	1		
58A	323-606	BASE RUBBER	4		
59	324-393	BASE ASS'Y	1	INCLUD. 52, 56-58, 99	
60	302-317	MACHINE SCREW M5X16 (BLACK)	6		
61	324-411	TABLE INSERT (B)	1		
62	324-410	TABLE INSERT (A)	1		
63	324-370	KNOB (B)	1		
64	307-956	SEAL LOCK HEX. SOCKET SET SCREW M6X10	3		
65	307-294	MACHINE SCREW (W/WASHERS) M5X16 (BLACK)	1		
66	949-217	MACHINE SCREW M4X12 (10 PCS.)	1		
67	949-429	BOLT WASHER M4 (10 PCS.)	1		
68	321-329	INDICATOR	1		
69	321-342	SPACER (A)	1		
70	949-567	LOCK NUT M6 (10 PCS.)	4		
71	949-455	SPRING WASHER M6 (10 PCS.)	4		
72	324-407	GEAR (D)	1		
73	324-405	BEVEL SHAFT (B)	1		
74	324-404	SHAFT HOLDER (B)	1		
75	324-403	SHAFT HOLDER (A)	1		
76	324-408	BEVEL SHAFT (A)	1		
77	949-432	BOLT WASHER M6 (10 PCS.)	3		
78	949-556	NUT M6 (10 PCS.)	1		
79	324-409	KNOB (A)	1		
80	950-817	METAL D8X10	2		
81	324-406	BEVEL GEAR	2		
82	949-454	SPRING WASHER M5 (10 PCS.)	4		
83	949-241	MACHINE SCREW M5X20 (10 PCS.)	4		
85	321-339	LEVER SHAFT	1		
*	86	CAUTION LABEL (C)	1	FOR USA, CAN	
	87	324-395	COVER (B)	1	
	88	324-396	SHAFT (C)	1	
	89	321-338	LEVER	1	
	90	321-340	SPRING (D)	1	
	91	322-282	SHAFT (A)	1	
	92	322-283	SIDE HANDLE	1	
	93	324-381	PLATE (A)	1	
	94A	324-455	SUB FENCE (A)	1	
	96	324-384	FENCE (A)	1	
	97	323-623	DUST COVER	1	
	98	324-400	LINER	3	
	99	315-210	SCALE (A)	1	
	131	949-217	MACHINE SCREW M4X12 (10 PCS.)	1	
	132	949-429	BOLT WASHER M4 (10 PCS.)	1	
*	133	948-614	NYLON CLIP	1	
*	133	948-193	NYLON CLIP	1	FOR USA, CAN
	134	324-417	SUPPORT	2	
	135	961-554	HEX. SOCKET SET SCREW M8X10	4	

**PARTS**

C 12LSH

ITEM NO.	CODE NO.	DESCRIPTION	NO. USED	REMARKS
136	949-217	MACHINE SCREW M4X12 (10 PCS.)	1	
137	949-429	BOLT WASHER M4 (10 PCS.)	1	
138	324-389	COVER (D)	1	
139	307-294	MACHINE SCREW (W/WASHERS) M5X16 (BLACK)	2	
140	324-383	SIDE COVER	1	
141	949-215	MACHINE SCREW M4X8 (10 PCS.)	2	
142	949-429	BOLT WASHER M4 (10 PCS.)	2	
143	324-415	BUSHING	2	
144	324-414	BALL BUSHING	2	
145	324-413	HOLDER (A)	1	
146	324-418	KNOB BOLT M6X25	2	
147	947-859	LOCK SPRING	2	
148	307-956	SEAL LOCK HEX. SOCKET SET SCREW M6X10	2	
149	324-465	SLIDE PIPE (A)	1	
150	877-839	SEAL LOCK HEX. SOCKET HD. BOLT M5X10	1	
151	324-388	SLEEVE	1	
152	310-898	SPRING	1	
153	305-180	CLUTCH SCREW	1	
154	305-179	CLUTCH SPRING	1	
156A	325-298	CLAMP LEVER	1	
157	323-903	BOLT M8X65	1	
158	949-433	BOLT WASHER M8 (10 PCS.)	1	
159	949-782	HEX. SOCKET HD. BOLT M6X50 (10 PCS.)	2	
160	323-904	STOPPER HOLDER (C)	1	
161	323-905	STOPPER (C)	1	
162	324-420	SET PIN (A)	1	
163	935-196	MACHINE SCREW (W/WASHERS) M4X12 (BLACK)	2	
164	321-329	INDICATOR	2	
165		CAUTION LABEL (B)	1	
166	324-466	SLIDE PIPE (B)	1	
167	324-386	SHAFT (D)	1	
168	324-423	CORD (B)	1	
169	324-382	CORD COVER	1	
170	949-429	BOLT WASHER M4 (10 PCS.)	1	
171	949-219	MACHINE SCREW M4X16 (10 PCS.)	1	
172	305-558	TAPPING SCREW (W/FLANGE) D5X25 (BLACK)	1	FOR USA, CAN
173	324-467	HINGE (A)	1	
174	324-421	GRIP	1	
175	307-294	MACHINE SCREW (W/WASHERS) M5X16 (BLACK)	1	
176	324-372	GUARD ASS'Y	1	INCLUD. 172 FOR USA, CAN
179	949-215	MACHINE SCREW M4X8 (10 PCS.)	1	
180	949-429	BOLT WASHER M4 (10 PCS.)	1	
181	320-183	COVER	1	
182	324-419	STOPPER PIN ASS'Y	1	INCLUD. 183
183	872-645	O-RING (P-9)	1	
184	949-215	MACHINE SCREW M4X8 (10 PCS.)	1	
185	949-429	BOLT WASHER M4 (10 PCS.)	1	
186	324-387	HINGE SHAFT (A)	1	
187A	323-606	BASE RUBBER	1	
188	949-237	MACHINE SCREW M5X12 (10 PCS.)	1	
189	303-854	SPACER	1	

**PARTS**

C 12LSH

ITEM NO.	CODE NO.	DESCRIPTION	NO. USED	REMARKS
* 190	324-376	LINK	1	
* 190	328-522	LINK	1	FOR EUROPE
191	319-270	ADJUSTER	1	
192	973-313	NYLON CLIP	1	
193	305-180	CLUTCH SCREW	1	
194	305-179	CLUTCH SPRING	1	
195	962-614	ADJUSTING WASHER (B) T0.5	1	
196	319-268	PLATE (B)	1	
197	305-179	CLUTCH SPRING	1	
198A	321-348	LASER MARKER	1	
199	319-267	SPRING	2	
200	319-541	SEAL LOCK HEX. SOCKET SET SCREW M5X6	2	
201	319-271	COVER (A)	1	
202	322-291	PLATE (A)	1	
203		CAUTION LABEL (J)	1	
204	949-429	BOLT WASHER M4 (10 PCS.)	3	
205	949-217	MACHINE SCREW M4X12 (10 PCS.)	3	
206	319-267	SPRING	1	
207	319-269	HOLDER (B)	1	
231	324-446	HANDLE (L)	1	
232	305-558	TAPPING SCREW (W/FLANGE) D5X25 (BLACK)	4	
* 233	323-978	SWITCHING POWER SUPPLY	1	
* 233	322-911	SWITCHING POWER SUPPLY	1	FOR USA, CAN
* 233	324-322	SWITCHING POWER SUPPLY	1	FOR GBR (110V)
234	984-750	TAPPING SCREW (W/FLANGE) D4X16	3	
* 235	500-234Z	CORD	1	(CORD ARMOR D10.1)
* 235	500-247Z	CORD	1	(CORD ARMOR D10.1) FOR NOR, SWE, FIN, DEN
* 235	500-461Z	CORD	1	(CORD ARMOR D10.1) FOR GBR (110V)
* 235	500-435Z	CORD	1	(CORD ARMOR D10.1) FOR GBR (230V)
* 235	500-447Z	CORD	1	(CORD ARMOR D10.1) FOR SUI
* 235	500-453Z	CORD	1	(CORD ARMOR D10.1) FOR USA, CAN
* 235	500-439Z	CORD	1	(CORD ARMOR D10.1) FOR AUS, NZL
* 235	500-456Z	CORD	1	(CORD ARMOR D10.1) FOR CHN
* 235	500-423Z	CORD	1	(CORD ARMOR D10.1) FOR SIN, MAL
236	324-422	INTERNAL WIRE (B)	1	
237	319-349	CORD BUSH	1	
238	324-447	HANDLE (R)	1	
239	938-051	CORD ARMOR D10.1	1	
240	937-631	CORD CLIP	1	
241	301-653	TAPPING SCREW (W/FLANGE) D4X20 (BLACK)	6	
242	880-734	MACHINE SCREW (W/WASHERS) M5X25 (BLACK)	5	
243	945-161	BRUSH CAP	2	
* 244	999-038	CARBON BRUSH (1 PAIR)	2	FOR 110V-120V
* 244	999-065	CARBON BRUSH (1 PAIR)	2	FOR 220V-240V
245	938-241	BRUSH HOLDER	2	
* 246		CAUTION LABEL (A)	1	FOR USA, CAN
247		NAME PLATE	1	
248	990-541	MACHINE SCREW (W/WASHERS) M5X16	2	
249	324-445	TAIL COVER	1	
250	938-477	HEX. SOCKET SET SCREW M5X8	2	
251	324-444	HOUSING ASS'Y	1	INCLUD. 245, 248-250

**PARTS**

C 12LSH

ITEM NO.	CODE NO.	DESCRIPTION	NO. USED	REMARKS
	252	937-623 BRUSH TERMINAL	2	
*	253	340-626D STATOR ASS'Y 110V	1	INCLUD. 252
*	253	340-626C STATOR ASS'Y 120V	1	INCLUD. 252
*	253	340-703E STATOR (B) ASS'Y 220V-230V	1	INCLUD. 252
*	253	340-693E STATOR ASS'Y (C) 230V	1	INCLUD. 252 FOR NZL
*	253	340-703F STATOR (B) ASS'Y 240V	1	INCLUD. 252
	254	324-397 END PLATE	1	
	255	953-121 HEX. HD. TAPPING SCREW D5X50	2	
*	256	360-790B ARMATURE ASS'Y 220V-230V	1	INCLUD. 257, 259, 307-309
*	256	360-790C ARMATURE ASS'Y 240V	1	INCLUD. 257, 259, 307-309
*	256A	360-711U ARMATURE ASS'Y 110V-120V	1	INCLUD. 257, 259, 307-309
	257	600-0VV BALL BEARING 6000VVCMP2L	1	
	258	324-442 FAN GUIDE	1	
	259	620-1VV BALL BEARING 6201VVCMP2L	1	
	260	324-426 MONITOR	1	
	261	305-490 TAPPING SCREW (W/FLANGE) D4X30 (BLACK)	2	
	262	976-706 MACHINE SCREW (W/WASHERS) M5X10	1	
	263	324-448 SWITCH HANDLE (L)	1	
	264	996-247 MACHINE SCREW (W/WASHERS) M5X12 (BLACK)	2	
	265	324-453 SPINDLE COVER	1	
*	266	324-425 INTERNAL WIRE (A)	1	
*	266	326-827 INTERNAL WIRE (A)	1	FOR NZL
*	267	959-141 CONNECTOR 50092 (10 PCS.)	2	
*	267	959-141 CONNECTOR 50092 (10 PCS.)	4	FOR USA, CAN
*	267	959-141 CONNECTOR 50092 (10 PCS.)	1	FOR NZL
	268	324-424 SWITCH (3P FASTON TYPE) W/O LOCK	1	
	269	324-449 SWITCH HANDLE (R)	1	
	270	961-468 KNOB BOLT M6X37	1	
	271	988-821 LOCK SPRING	2	
	272	322-314 STOPPER HOLDER	1	
	273	322-313 SPRING PLATE	1	
	274	303-410 NYLOCK BOLT M8X40	1	
	275	324-437 GEAR CASE	1	
	276	949-217 MACHINE SCREW M4X12 (10 PCS.)	1	
	277	949-429 BOLT WASHER M4 (10 PCS.)	1	
	278	973-313 NYLON CLIP	1	
	279	949-260 MACHINE SCREW M6X25 (10 PCS.)	1	
	280	606-ZZM BALL BEARING 606ZZC2PS2L	2	
	281	949-455 SPRING WASHER M6 (10 PCS.)	1	
	282	949-425 WASHER M6 (10 PCS.)	1	
	283	935-196 MACHINE SCREW (W/WASHERS) M4X12 (BLACK)	1	
	284	988-101 BOLT (A) M10	1	
*	285B	323-652 WASHER (B)	1	EXCEPT FOR EUROPE
*	286	328-326 TCT SAW BLADE 305MM-D25.4 HOLE-NT60	1	
*	286	328-213 TCT SAW BLADE 305MM-D30 HOLE-NT60	1	
*	286	324-269 TCT SAW BLADE 305MM-D25.4 HOLE-NT120	1	
*	287	324-452 WASHER (A)	1	EXCEPT FOR EUROPE
	288	949-322 FLAT HD. SCREW M4X10 (10 PCS.)	2	
	289	307-731 COVER	1	
*	290	324-375 PROTECTIVE COVER	1	
*	290	328-523 PROTECTIVE COVER	1	FOR EUROPE



**PARTS**

C 12LSH

ITEM NO.	CODE NO.	DESCRIPTION	NO. USED	REMARKS	
291A	328-188	RETURN SPRING (B)	1		
292	324-438	SPINDLE ASS'Y	1	INCLUD. 293-295	
293	600-3DD	BALL BEARING 6003DDCMPS2S	1		
294	324-439	BEARING HOLDER	1		
295	608-VVM	BALL BEARING 608VVC2PS2L	1		
296	949-241	MACHINE SCREW M5X20 (10 PCS.)	2		
297	949-454	SPRING WASHER M5 (10 PCS.)	2		
298	321-364	DUST GUIDE	1		
299	312-492	GUIDE HOLDER	1		
300	324-440	PINION ASS'Y	1	INCLUD. 301-303, 305, 306	
301	948-919	FEATHER KEY 4X4X15	1		
302	620-1VV	BALL BEARING 6201VVCMP2L	1		
303	322-301	COVER (C)	1		
304	949-322	FLAT HD. SCREW M4X10 (10 PCS.)	2		
305	324-441	PULLEY (B)	1		
306	321-399	BALL BEARING 608VVC2NS7L	1		
307	324-443	PULLEY (A)	1		
308	961-157	SUPER LOCK WASHER	1		
309	949-560	NUT M10 (10 PCS.)	1		
310	324-427	BELT (200H10) 16X508	1		
311	983-545	NEEDLE ROLLER	2		
312A	325-259	BEARING HOLDER (B)	1		
313	995-096	MACHINE SCREW (W/WASHERS) M5X20 (BLACK)	2		
314	307-732	STOPPER PIN	1		
315	949-429	BOLT WASHER M4 (10 PCS.)	1		
316	949-215	MACHINE SCREW M4X8 (10 PCS.)	1		
317	324-450	PULLEY COVER	1		
320	324-821	GEAR COVER (B)	1		
321	324-822	GEAR COVER (C)	1		
322	948-193	NYLON CLIP	1		
*	333	930-039	NOISE SUPPRESSOR	1	EXCEPT FOR USA, CAN
*	334	958-308Z	PILLAR TERMINAL (A)	1	EXCEPT FOR USA, CAN
*	335	998-879	KNOB BOLT	1	EXCEPT FOR USA, CAN
	336	326-828	GUARD	1	EXCEPT FOR USA, CAN
*	337	321-394	GUARD HOLDER	1	EXCEPT FOR USA, CAN
*	338	328-521	SUB COVER	1	FOR EUROPE, AUS, NZL
*	339	328-518	LEVER	1	FOR EUROPE, AUS, NZL
*	340	302-757	SPACER	3	FOR EUROPE, AUS, NZL
*	341	307-811	TAPPING SCREW (W/FLANGE) D4X16 (BLACK)	2	FOR EUROPE, AUS, NZL
*	342	954-878	MACHINE SCREW (W/WASHERS) M4X16	1	FOR EUROPE, AUS, NZL
*	343	328-519	LEVER COVER	1	FOR EUROPE, AUS, NZL
*	344	307-811	TAPPING SCREW (W/FLANGE) D4X16 (BLACK)	2	FOR EUROPE, AUS, NZL
*	345	322-457	LEVER SPRING	1	FOR EUROPE, AUS, NZL
*	346	307-294	MACHINE SCREW (W/WASHERS) M5X16 (BLACK)	2	FOR EUROPE, AUS, NZL
*	347	324-518	FERRITE CORE	1	EXCEPT FOR USA, CAN, NZL
*	348	324-633	WASHER (D)	1	FOR EUROPE
*	349	328-520	WASHER (C)	1	FOR EUROPE

