

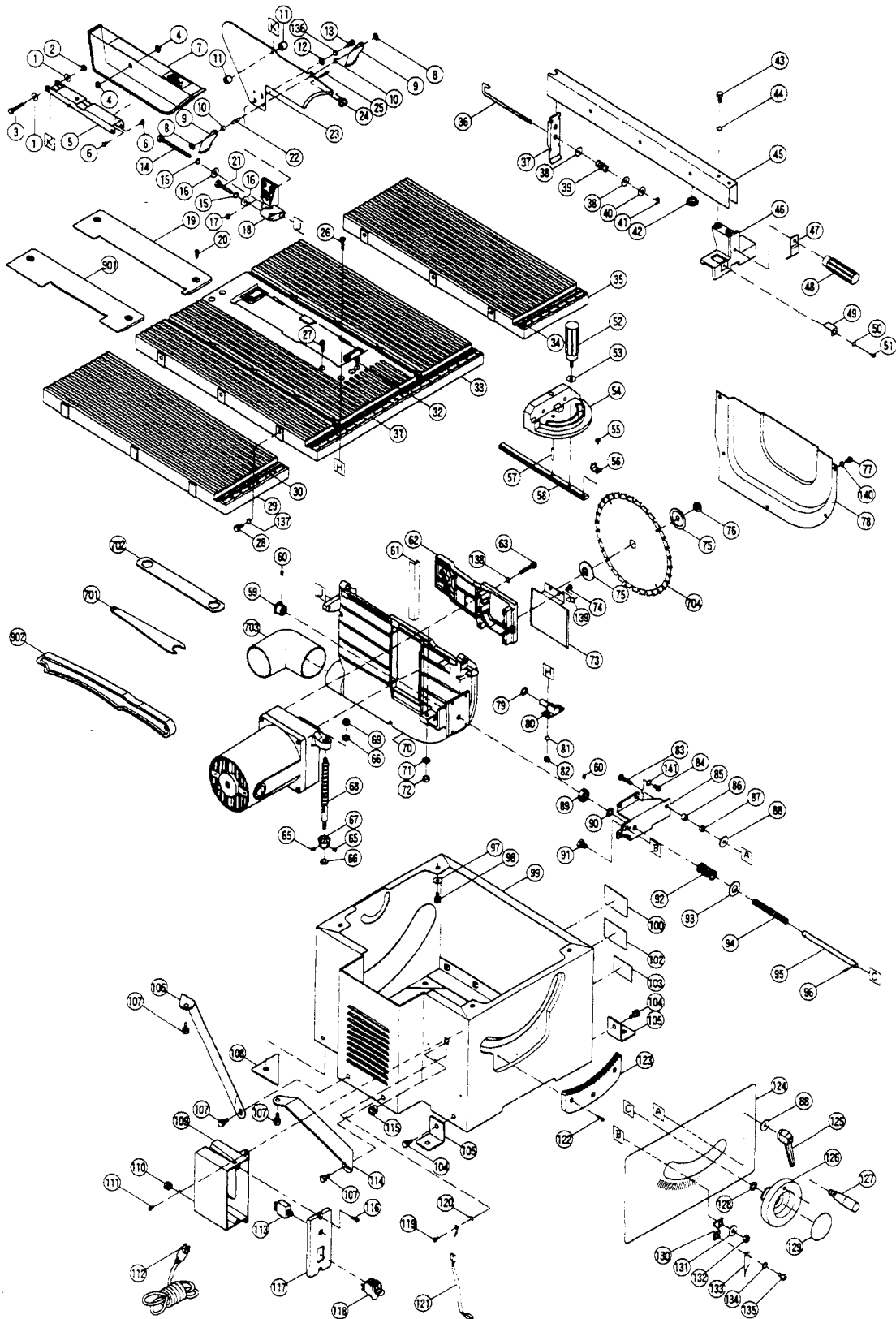
HITACHI

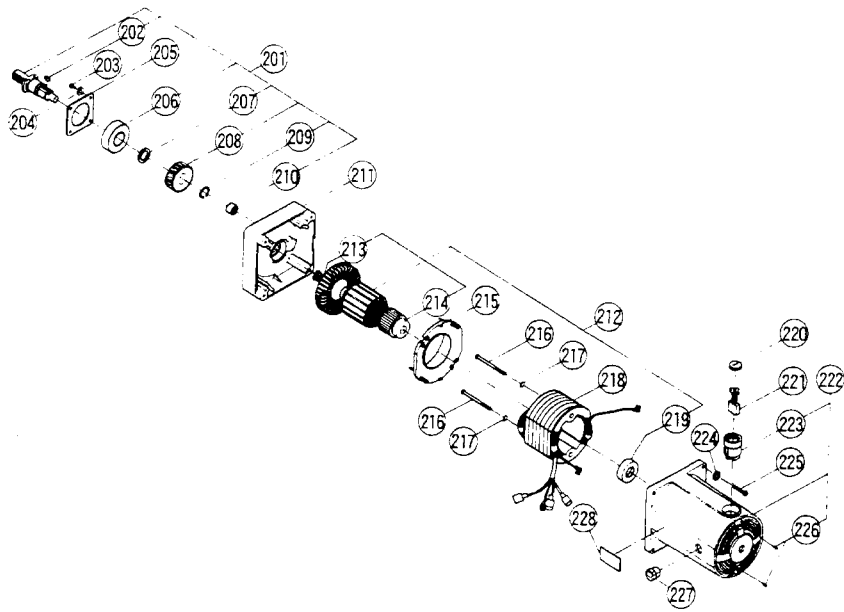
LIST NO. E922

ELECTRIC TOOL PARTS LIST

■ TABLE SAW
Model C 10RA

1997 • 5 • 10
(E1)





PARTS

C 10RA

ITEM NO.	CODE NO.	DESCRIPTION	NO. USED	REMARKS
1	314-473	FLAT WASHER M6	2	
2	314-474	NUT CHUCK M6	1	
3	949-644	BOLT M6X40 (10 PCS.)	1	
4	314-476	SELF - LOCKING RING	2	
5	314-477	ARM	1	
6	314-478	RIVET	2	
7	314-479	BLADE GUARD	1	
8	314-443	SELF LOCKING RING	2	
9	314-444	KICK BACK PAWL	2	
10	314-445	BUSHING	2	
11	314-480	BUSHING	2	
12	973-361	WASHER	2	
13	949-613	BOLT M6X16 (10 PCS.)	2	
14	314-482	BOLT M6X60	1	
15	949-455	SPRING WASHER M6 (10 PCS.)	2	
16	949-432	BOLT WASHER M6 (10 PCS.)	2	
17	949-556	NUT M6 (10 PCS.)	2	
18	314-483	GUARD BRACKET	1	
19	314-484	INSERT FOR SAW BLADE	1	
20	949-235	MACHINE SCREW M5X8 (10 PCS.)	2	
21	949-803	BOLT M6X35 (10 PCS.)	1	
22	314-446	ROLL PIN	1	
23	314-485	SPREADER	1	
24	314-447	SPRING	1	
25	949-870	ROLL PIN D4X22 (10 PCS.)	1	
26	949-342	FLAT HD. SCREW M6X25 (10 PCS.)	4	
27	314-486	SEAL LOCK SCREW M6X20	1	
28	949-676	BOLT M6X20 (10 PCS.)	6	
29	314-488	EXTENSION WING (L)	1	
30	314-448	SCALE (L)	1	
31	314-449	SCALE	1	
32	314-490	SEAL LOCK SCREW M6X10	1	
33	314-491	TABLE	1	
34	314-450	SCALE (R)	1	
35	314-492	EXTENSION WING (R)	1	
36	314-493	LOCKING ROD	1	
37	314-494	REAR CLAMP	1	
38	314-495	FLAT WASHER M8.3	2	
39	314-496	COMPRESSION SPRING 38L	1	
40	314-497	FLAT WASHER M8	1	
41	955-479	RETAINING RING (E - TYPE) FOR D6 SHAFT	1	
42	314-498	CUP	2	
43	949-611	BOLT M6X12 (10 PCS.)	2	
44	314-499	TOOTHED LOCK WASHER M6	2	
45	314-500	PARALLEL BRACKET	1	
46	314-501	WIDTH BODY	1	
47	314-502	FRONT CLAMP	1	
48	314-503	CLAMP HANDLE (A)	1	
49	314-504	POINTER	1	
50	949-431	BOLT WASHER M5 (10 PCS.)	1	
51	949-234	MACHINE SCREW M5X6 (10 PCS.)	1	

*: ALTERNATIVE PARTS

PARTS

C 10RA

ITEM NO.	CODE NO.	DESCRIPTION	NO. USED	REMARKS
52	314-505	CLAMP HANDLE (B)	1	
53	314-506	FLAT WASHER M6.4	1	
54	314-507	MITER GAUGE	1	
55	949-234	MACHINE SCREW M5X6 (10 PCS.)	1	
56	314-509	ANGLE POINTER	1	
57	314-510	PIN	1	
58	314-511	SHEET BAR	1	
59	314-512	BEVEL GEAR (A)	1	
60	967-469	HEX. SOCKET SET SCREW M6X6	4	
61	314-513	SLIDE PLATE	2	
62	314-514	SPREADER BRACKET	1	
63	949-803	BOLT M6X35 (10 PCS.)	4	
65	967-469	HEX. SOCKET SET SCREW M6X6	2	
66	314-516	FLAT WASHER M8X14.3	2	
67	314-517	BEVEL GEAR (B)	1	
68	314-518	SCREW BAR	1	
69	314-519	NUT CHUCK M8	1	
70	314-520	BODY	1	
71	314-521	FLAT WASHER M6.4X12.7	1	
72	314-522	SPECIAL NUT CHUCK M6	1	
73	314-523	GUARD	1	
74	949-255	MACHINE SCREW M6X12 (10 PCS.)	1	
75	314-454	WASHER(A)	2	
76	314-455	SET NUT	1	
77	949-255	MACHINE SCREW M6X12 (10 PCS.)	5	
78	314-526	BLADE GUARD	1	
79	314-527	FLAT WASHER M8X15	2	
80	314-528	PIVOT SUPPROT	2	
81	949-455	SPRING WASHER M6 (10 PCS.)	4	
82	949-556	NUT M6 (10 PCS.)	4	
83	314-529	SPECIAL BOLT M6X35	1	
84	949-255	MACHINE SCREW M6X12 (10 PCS.)	4	
85	314-530	BRACKET	1	
86	314-531	SPACER	1	
87	949-556	NUT M6 (10 PCS.)	1	
88	314-532	FLAT WASHER M6X25	2	
89	314-533	ANCHOR BLOCK	1	
90	314-534	FLAT WASHER M9.5	1	
91	949-622	BOLT M8X16 (10 PCS.)	1	
92	314-535	COMPRESSION SPRING 20L	1	
93	314-536	FLAT WASHER M16	1	
94	314-537	COMPRESSION SPRING 57L	1	
95	314-538	REGULATING BOLT	1	
96	949-518	ROLL PIN D3X18 (10 PCS.)	1	
97	973-361	WASHER	4	
98	996-577	BOLT (W/WASHERS) M6X12 (BLACK)	4	
99	314-539	BODY SHELL	1	
100		WARNING LABEL (B)	1	
102		WARNING LABEL (A)	1	
103		NAME PLATE	1	
104	308-946	BOLT (W/WASHERS) M8X20 (BLACK)	4	

*: ALTERNATIVE PARTS

PARTS

C 10RA

ITEM NO.	CODE NO.	DESCRIPTION	NO. USED	REMARKS
105	314-540	SET PLATE	4	
106	314-541	EXTENSION SUPPORTER (L)	2	
107	308-946	BOLT (W/WASHERS) M8X20 (BLACK)	8	
108	314-542	SPONGE	4	
109	314-543	SWITCH BOX	1	
110	314-544	STRAIN RELIEF (RU - 1435)	1	
111	314-545	TAPPING SCREW D4X10	3	
112	314-456	POWER CABLE	1	
113	314-457	CIRCUIT BREAKER SWITCH	1	
114	314-547	EXTENSION SUPPORTER (R)	2	
115	314-548	STRAIN RELIEF (RA - 1418)	1	
116	314-549	TAPPING SCREW D5X16	2	
117	314-458	SWITCH MTG. PLATE	1	
118	314-459	ROCKER SWITCH	1	
119	314-552	TAPPING SCREW (SPECIAL) D4X10	2	
120	314-553	TOOTHED LOCK WASHER M4	2	
121	314-460	LEAD WIRE	1	
122	314-554	TAPPING SCREW D4X12	3	
123	314-555	SEGMENT GEAR	1	
124		HITACHI LABEL	1	
125	314-556	TENSION HANDLE	1	
126	314-557	WHEEL	1	
127	314-558	HANDLE	1	
128	314-534	FLAT WASHER M9.5	1	
129	314-560	LABEL	1	
130	314-561	POINTER BRACKET	1	
131	949-433	BOLT WASHER M8 (10 PCS.)	1	
132	949-558	NUT M8 (10 PCS.)	1	
133	314-562	NEEDLE POINTER	1	
134	314-580	TOOTHED LOCK WASHER M5	1	
135	949-235	MACHINE SCREW M5X8 (10 PCS.)	1	
136	949-455	SPRING WASHER M6 (10 PCS.)	2	
137	949-455	SPRING WASHER M6 (10 PCS.)	6	
138	949-455	SPRING WASHER M6 (10 PCS.)	4	
139	949-455	SPRING WASHER M6 (10 PCS.)	1	
140	949-455	SPRING WASHER M6 (10 PCS.)	5	
141	949-455	SPRING WASHER M6 (10 PCS.)	4	
201	314-451	SPINDLE ASS'Y	1	INCLUD.202,206 - 210
202	314-567	PARALLEL KEY	1	
203	949-217	MACHINE SCREW M4X12 (10 PCS.)	4	
204	949-453	SPRING WASHER M4 (10 PCS.)	4	
205	314-572	BEARING RETAINER	1	
206	620-4VV	BALL BEARING 6204VVCMP2S	1	
207	314-568	COLLAR FOR D17	1	
208	314-569	HELIX GEAR	1	
209	967-261	RETAINING RING FOR D17 SHAFT	1	
210	314-570	NEEDLE BEARING	1	
211	314-575	BRACKET	1	
212	314-452	ARMATURE ASS'Y 115V	1	INCLUD.213,214,219
213	620-1VV	BALL BEARING 6201VVCMP2S	1	
214	620-0VV	BALL BEARING 6200VVCMP2S	1	

*: ALTERNATIVE PARTS

