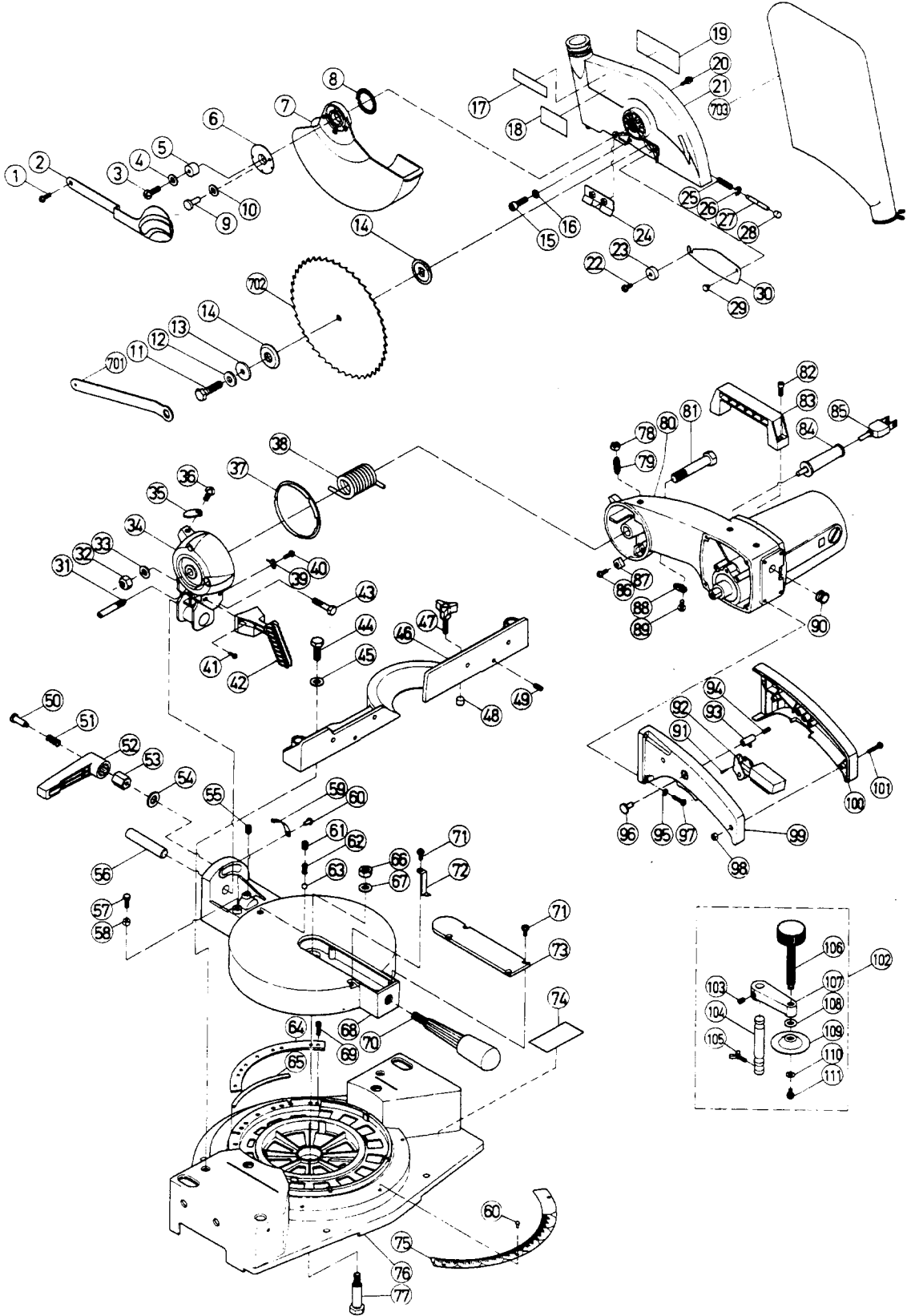


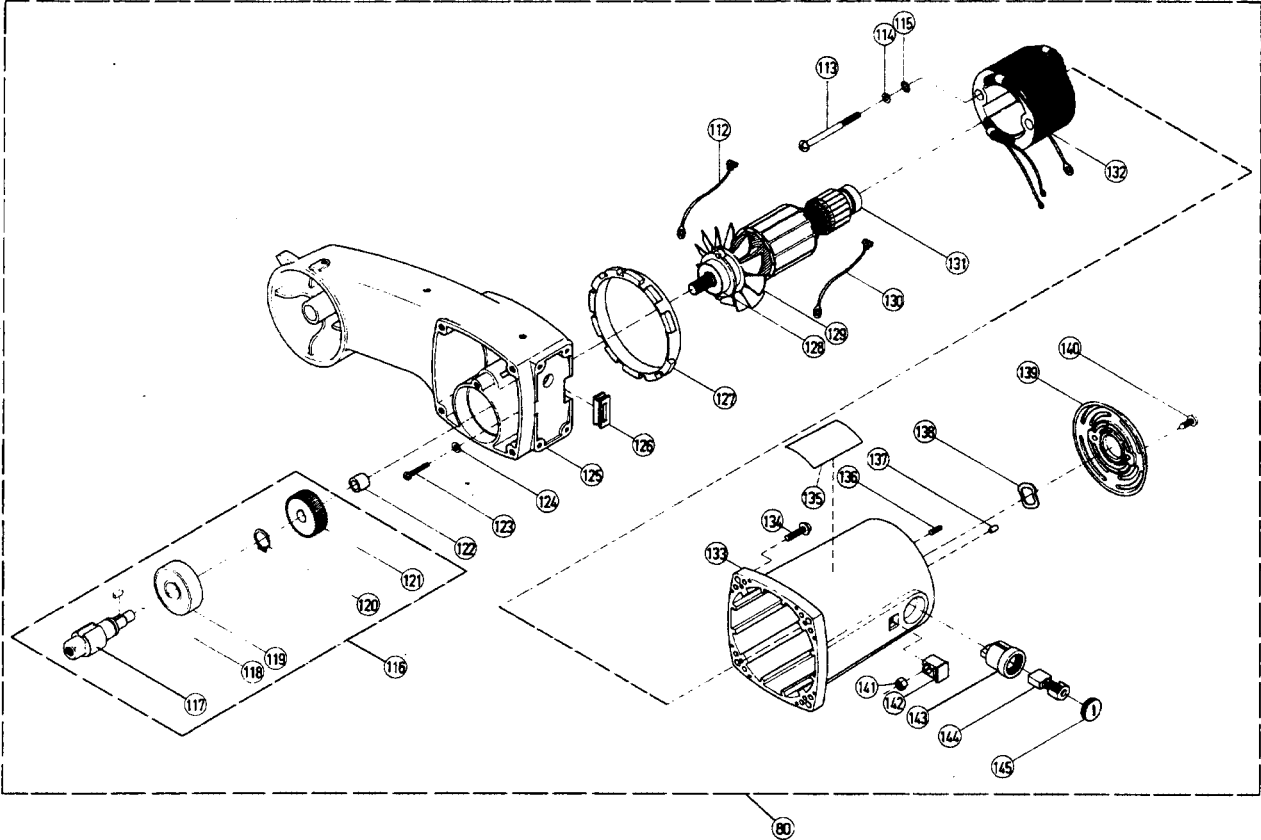
ELECTRIC TOOL PARTS LIST

■ COMPOUND SAW
Model C 10FC

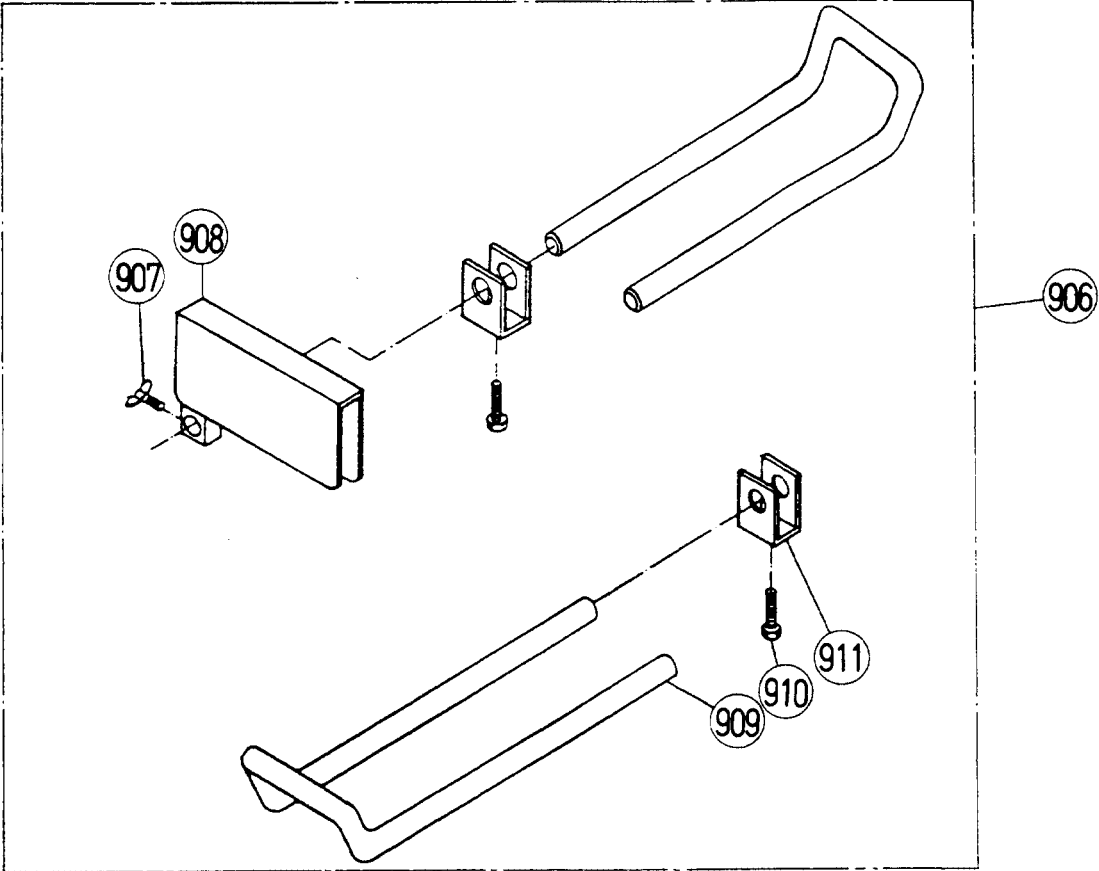
1995 · 9 · 20
(E2)



MOTER ASS'Y



EXTENTION GUIDE ASS'Y



PARTS

C 10FC

ITEM NO.	CODE NO.	DESCRIPTION	NO. USED	REMARKS
1	311-024	TRUSS HD. SCREW 1/4"X1/2"	1	
2	311-025	LINK	1	
3	949-237	MACHINE SCREW M5X12 (10 PCS.)	1	
4	311-026	WASHER 3/16"X3/4"	1	
5	311-027	COLLAR	1	
6	311-028	GUARD RETAINER	1	
7	311-029	BLADE GUARD	1	
8	311-030	SPRING GUARD	1	
9	311-023	RIVET	1	
10	311-022	WASHER 3/16"X3/8"	1	
11	949-624	BOLT M8X20 (10 PCS.)	1	
12	949-426	WASHER M8 (10 PCS.)	1	
13	311-014	WASHER	1	
14	311-015	ARBOR COLLAR	2	
15	949-757	HEX. SOCKET HD. BOLT M5X20 (10 PCS.)	3	
16	949-454	SPRING WASHER M5 (10 PCS.)	3	
17	311-031	HITACHI LABEL	1	
18	311-038	LABEL	1	
19	311-032	WARNING LABEL	1	FOR USA
20	949-237	MACHINE SCREW M5X12 (10 PCS.)	2	
21	311-033	BLADE GUARD	1	
22	311-021	FLAT HD. SCREW 32UNFX13/16"	1	
23	311-020	SLEEVE RUBBER	1	
24	311-037	REAR LOWER GUARD	1	
25	311-019	SPRING	1	
26	311-018	E - RING	1	
27	311-017	BRACKET STOP	1	
28	311-016	CAP RUBBER	1	
29	311-036	RIVET 3/16"X17/32"	1	
30	311-035	CUTTER SHAFT GUARD	1	
31	311-082	SCREW STOP	1	
32	311-083	CHUCK NUT M16	1	
33	311-084	WASHER M16X30	1	
34	311-086	ANGLE PEGULATOR	1	
35	311-087	PLATE LOCK	1	
36	949-255	MACHINE SCREW M6X12 (10 PCS.)	1	
37	311-109	SLIDE PLATE	1	
38	311-088	TORSION SPRING	1	
39	311-081	ANGLE POINTER	1	
40	949-214	MACHINE SCREW M4X6 (10 PCS.)	1	
41	949-237	MACHINE SCREW M5X12 (10 PCS.)	2	
42	311-110	CHIP DEFLECTOR	1	
43	311-108	HEX. BOLT M10X85	1	
44	949-695	BOLT M10X35 (10 PCS.)	2	
45	311-080	WASHER M10X19	2	
46	311-058	FENCE	1	
47	311-059	MITER LOCK KNOB	1	
48	311-057	BRACKET STOP	1	
49	952-384	HEX. SOCKET SET SCREW M5X10	4	
50	311-107	SCREW	1	
51	311-106	SPRING	1	

*: ALTERNATIVE PARTS

PARTS

C 10FC

ITEM NO.	CODE NO.	DESCRIPTION	NO. USED	REMARKS
52	311-054	BEVEL LOCK HANDLE	1	
53	311-053	HANDLE COLLAR	1	
54	311-052	WASHER 3/8"X29/32"	1	
55	311-129	HEX. SOCKET SET SCREW M6X12	1	
56	311-085	PIVOT SHAFT	1	
57	949-616	BOLT M6X25 (10 PCS.)	2	
58	949-556	NUT M6 (10 PCS.)	2	
59	311-055	TILT BRACKET	1	
60	311-042	DRIVE SCREW M2.3X5	5	
61	311-051	HEX. SOCKET SET SCREW M10X12	1	
62	311-050	SPRING	1	
63	311-049	STEEL BALL D8	1	
64	311-111	SET PLATE	1	
65	311-043	ROTATION SLIDE PLATE	3	
66	311-048	CHUCK NUT M8	1	
67	311-047	FLAT WASHER M8	1	
68	311-045	TABLE	1	
69	311-113	HEX. SOCKET HD. BOLT	2	
70	311-044	MITER HANDLE	1	
71	949-215	MACHINE SCREW M4X8 (10 PCS.)	5	
72	311-056	TILT POINTER	1	
73	311-046	TABLE INSERT	1	
* 74	311-112	CAUTION PLATE (F)	1	FOR USA
75	311-041	MITER SCALE	1	
76	311-040	BASE	1	
77	311-039	SENER SHAFT	1	
78	949-560	NUT M10 (10 PCS.)	1	
79	311-071	ADJUST SCREW	1	
* 80	311-072	MOTOR ASS'Y 115V	1	INCLUD.112 - 116,122 - 145 FOR USA
* 80	311-073	MOTOR ASS'Y 115V	1	INCLUD.112 - 116,122 - 145 FOR CAN
81	311-084	SPECIAL BOLT	1	
82	949-656	HEX. SOCKET HD. BOLT M8X20 (10 PCS.)	2	
83	311-095	SEGMENT HANDLE	1	
84	311-096	CORD GUARD	1	
85	311-097	CORD	1	
86	949-241	MACHINE SCREW M5X20 (10 PCS.)	1	
87	311-089	CUSHION	1	
88	311-070	CORD CLAMP	1	
89	949-217	MACHINE SCREW M4X12 (10 PCS.)	2	
90	311-098	STRAIN RELIEFS	1	
91	311-103	TRUSS HD. TAPPING SCREW D4X12	2	
92	311-102	SWITCH	1	
93	311-101	STOPPER	1	
94	311-100	SPRING	1	
95	949-454	SPRING WASHER M5 (10 PCS.)	4	
96	311-105	BUTTON SWITCH	1	
97	949-241	MACHINE SCREW M5X20 (10 PCS.)	4	
98	949-554	NUT M4 (10 PCS.)	2	
99	311-104	HANDLE	1	
100	311-089	HANDLE	1	
101	949-223	MACHINE SCREW M4X25 (10 PCS.)	2	

*: ALTERNATIVE PARTS

