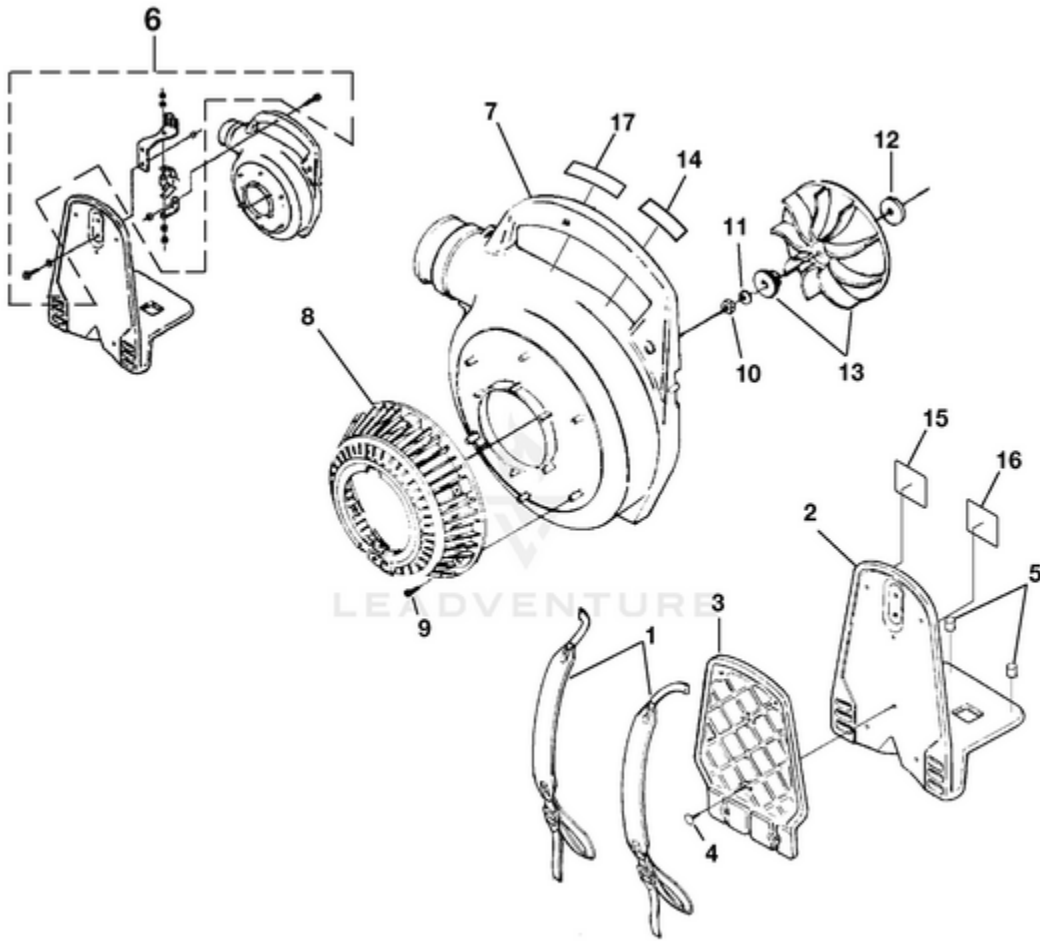


BackPacker Blower UT-08121 08121-UT BackPacker Blower UT-08121 BackPacker Blower - Back Pack,
 Tube Kit And Handle

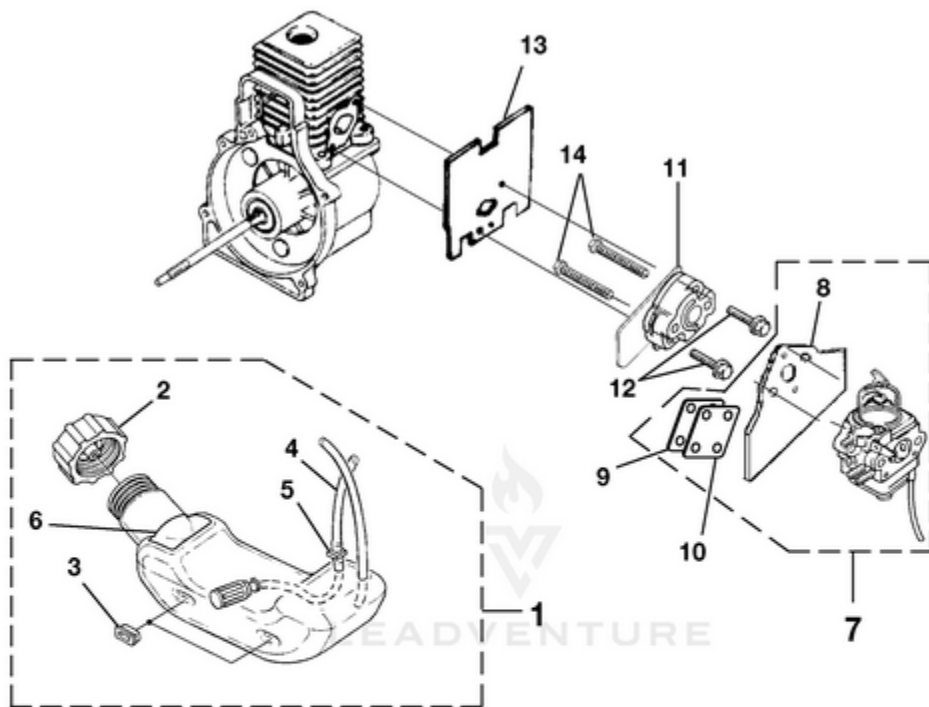


TORQUE SPECIFICATIONS			
Item No.	In/Lbs	Nm	Required Loctite
9	8-12	9-1.4	
10	130-150	14.7-17.0	

Rendered by LeadVenture, Inc.

Ref #	Part #	Description	Qty
1	01776	HARNESS-Shoulder	2
2	PS01763	FRAME-Blower	1
3	PS02023	PAD-Foam	1
4	01783	CLIP-Push	6
5	01770A	VIBRATION ISOLATOR	2
6	985073001	VIBRATION ISOLATOR KIT	1
7	PS03169	VOLUTE HOUSING KIT	1
8	00320	BLOWER VAC GRILLE KIT	1
9	82528	SCREW-Thread Form. (#6 X 3/8")	6
10	81124A	NUT-Hex (3/8-24)	1
11	03163	WASHER-Bellville (3/8")	1
12	03165	WASHER-Flat	1
13	984911001	BLOWER FAN KIT	1
14	PS02310	DECAL-Decible Level 69 d B (A)	1
15	PS01856	DECAL-Zip Start	1
16	01781A	DECAL-WARNING	1
17	PS02145	LABEL-Backpacker	1

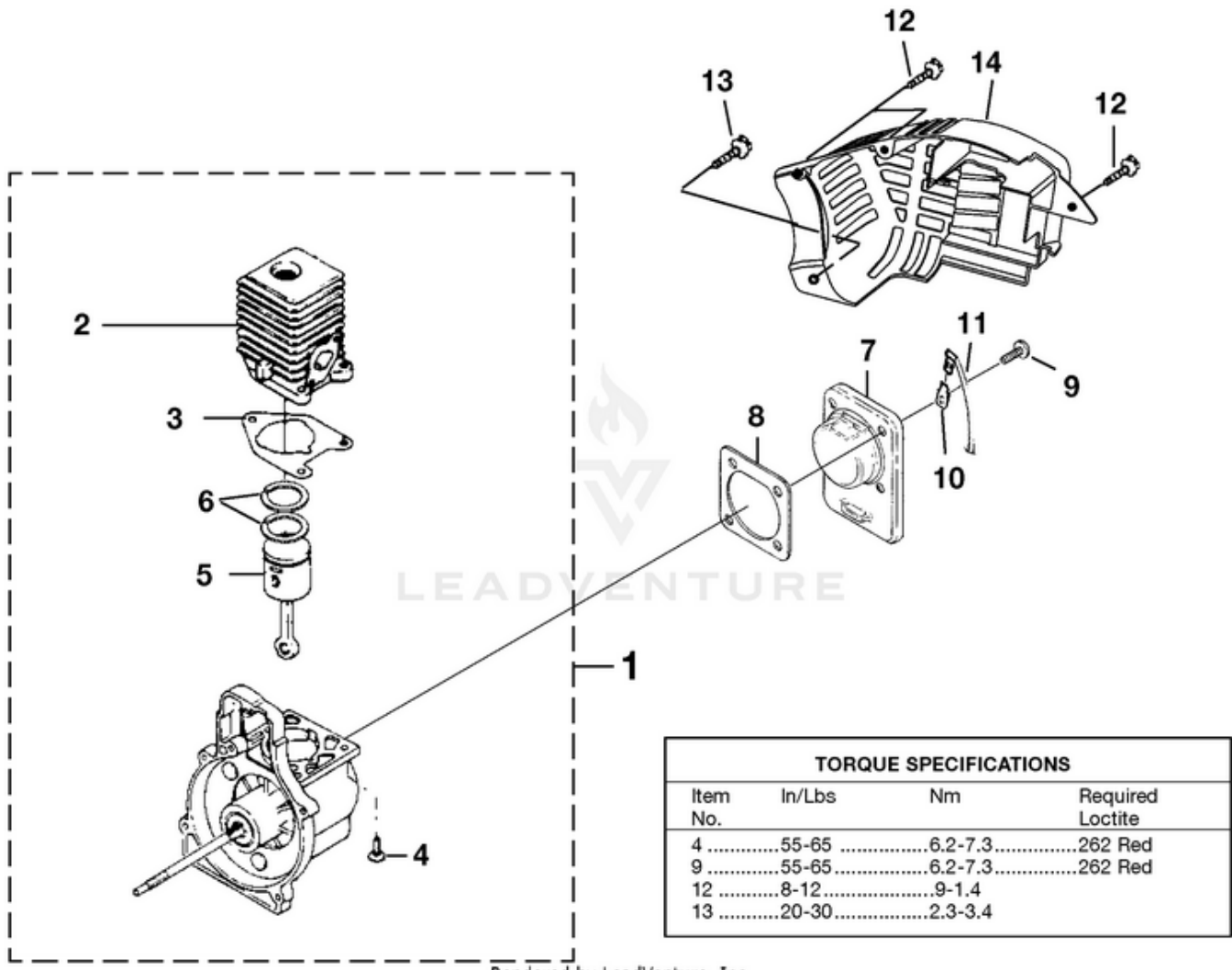
BackPacker Blower UT-08121 08121-UT BackPacker Blower UT-08121 BackPacker Blower - Carburetor
And Fuel Tank



TORQUE SPECIFICATIONS			
Item No.	In/Lbs	Nm	Required Loctite
10	30-40	3.4-4.5	
12	40-50	4.5-5.6	262 Red

Rendered by LeadVenture, Inc.

Ref #	Part #	Description	Qty
1	984907001	FUEL TANK KIT (UT08929A, UT08930A)	1
1	985202001	FUEL TANK KIT (UT08121)	1
2	A09116	FUEL CAP	1
3	98792	BUMPER-Rubber	3
4	0143912	TUBING-Rubber (3")	1
5	07332	Fitting-Inlet (small for 2.5mm ID fuel line)	1
6	08684	HEAT SHIELD	1
7	984908001	CARBURETOR KIT (UT08929A,UT08930A)	1
8	PS06325	GASKET-Carburetor	1
7	985074001	CARBURETOR KIT (UT08121)	1
8	985534001	GASKET-Carburetor	1
9	5945603	SPACER, PLASTIC	1
10	98766A	GASKET, CARBURETOR	1
11	98768A	HEAT DAM	1
12	093221	USE 660662001	2
13	00775A	GASKET-Heat Dam	1
14	6634602	SCREW-Thread Form. (10-24 x 1)	2

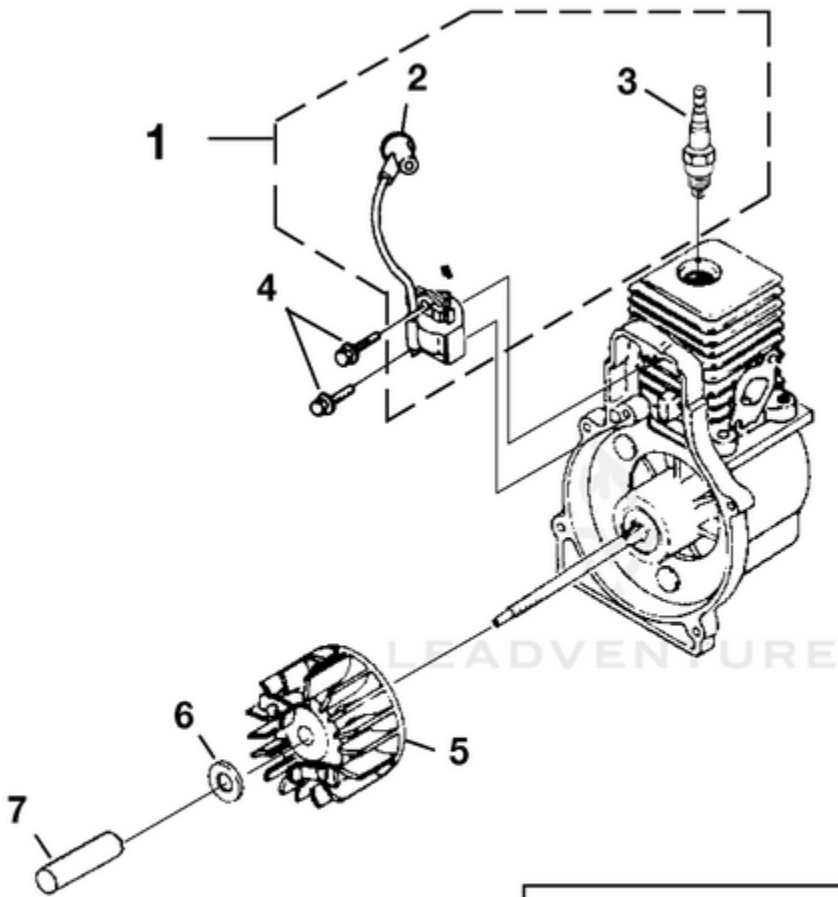


TORQUE SPECIFICATIONS			
Item No.	In/Lbs	Nm	Required Loctite
4	55-65	6.2-7.3	262 Red
9	55-65	6.2-7.3	262 Red
12	8-12	9-1.4	
13	20-30	2.3-3.4	

Rendered by LeadVenture, Inc.

Ref #	Part #	Description	Qty
1	983928001	SHORT BLOCK (30cc)	1
2	985524002	30 CC CYLINDER	1
3	985259001	GASKET-Cylinder	1
4	PS02807	SCREW, SEMS (12-24 x 3/4)	3
5	984543001	30 CC PISTON & ROD	1
6	985607001	RING-Piston	2
7	PS02130	CRANKCASE COVER	1
8	06443A	GASKET-Crankcase	1
9	PS01565	SCREW, SEMS (10-24 x .56)	4
10	02851	TAB-Male	1
11	A07238	Lead-Ground to Handle	1
12	82376	SCREW-Thread Form. (#8 X 1/2)	3
13	82563	SCREW-Thread Form. (#10 X 3/4)	1
14	PS06314	Shroud	1

BackPacker Blower UT-08121 08121-UT BackPacker Blower UT-08121 BackPacker Blower - Ignition And Rotor

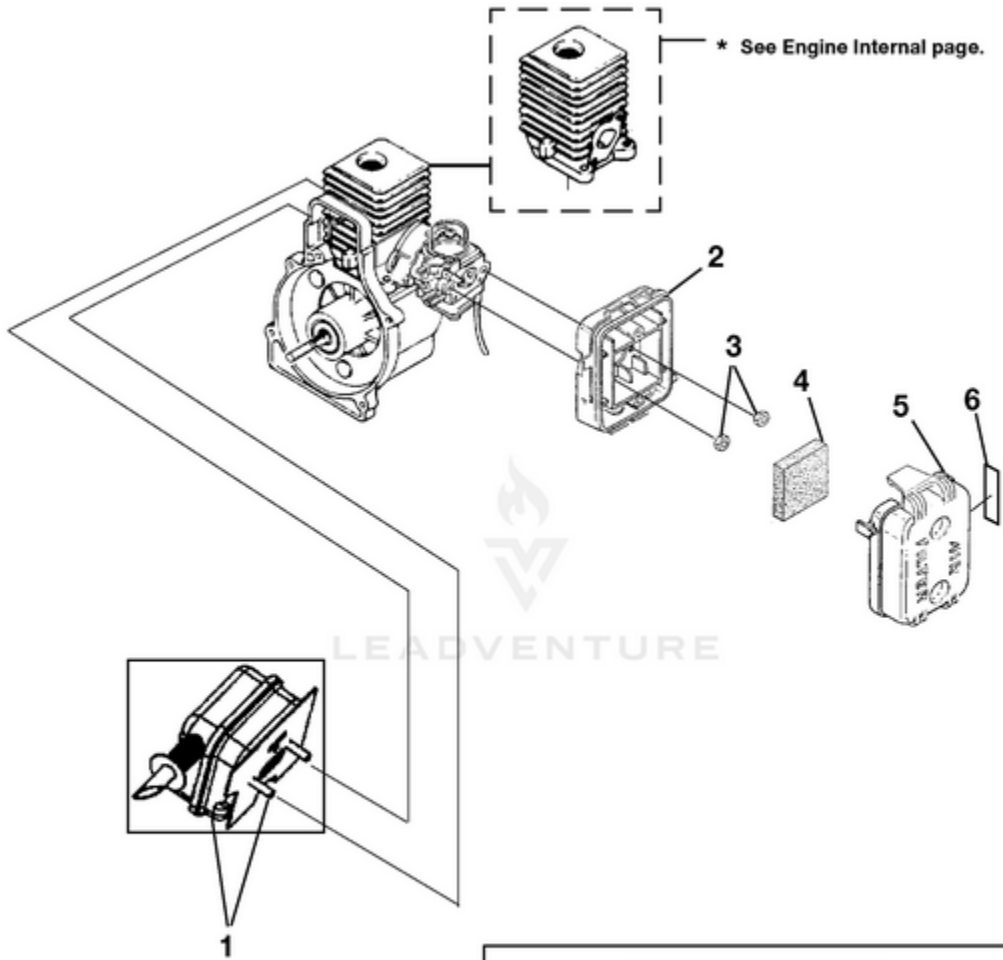


TORQUE SPECIFICATIONS			
Item No.	In/Lbs	Nm	Required Loctite
3	120-180	13.6-20.3	
4	30-40	3.4-4.5	242 Blue

Rendered by LeadVenture, Inc.

Ref #	Part #	Description	Qty
1	983929001	IGNITION KIT w/ Module	1
2	PS02762	IGNITION MODULE	1
3	PS02227	SPARK PLUG	1
4	82540	SCREW-Thread Form. (8-32 x 1)	2
5	UP03009A	ROTOR & STARTER PAWLS	1
6	95479A	WASHER-Flat	1
7	PS03566	SPACER-Fan	1

BackPacker Blower UT-08121 08121-UT BackPacker Blower UT-08121 BackPacker Blower - Muffler And Air Cleaner

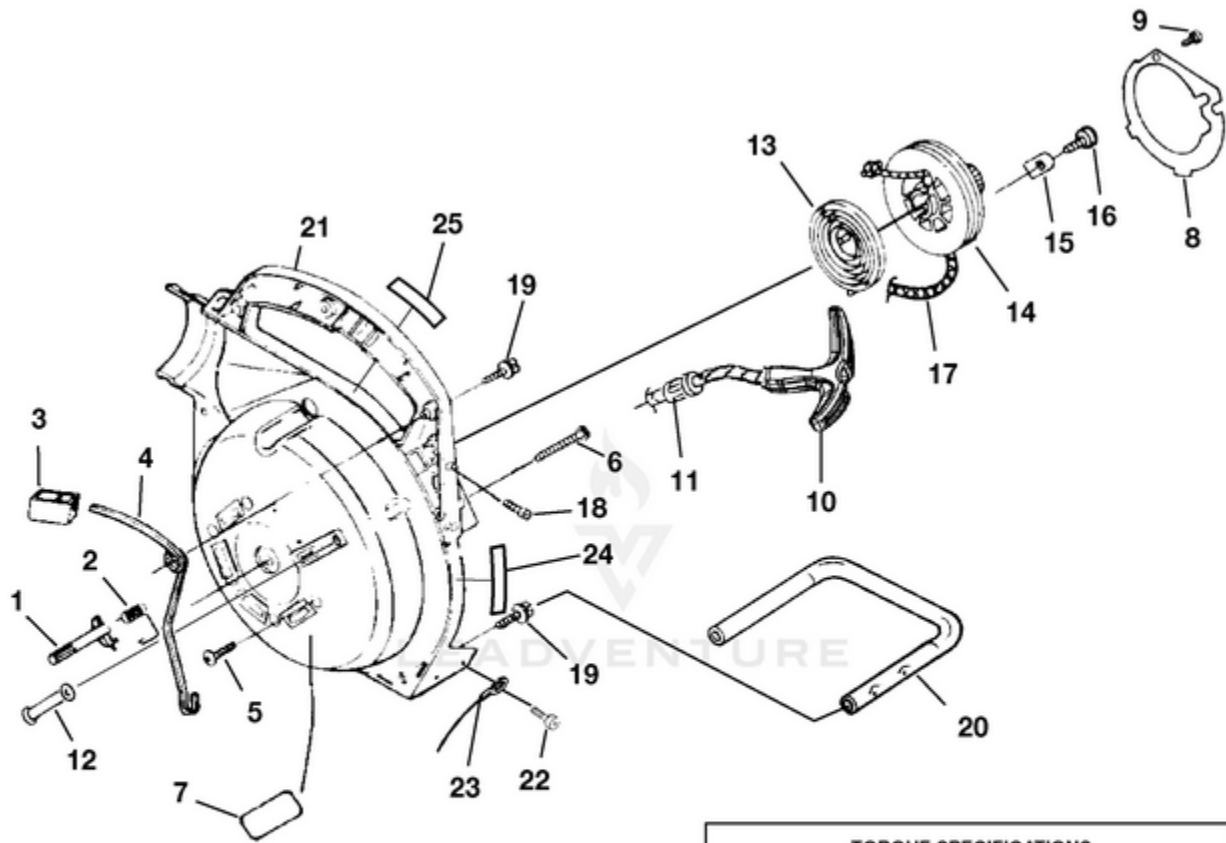


TORQUE SPECIFICATIONS			
Item No.	In/Lbs	Nm	Required Loctite
1	40-50	4.5-5.6	
3	30-40	3.4-4.5	

Rendered by LeadVenture, Inc.

Ref #	Part #	Description	Qty
1	PA01668	MUFFLER-Complete	1
2	09217	AIR FILTER BOX	1
3	81208	NUT-Hex (10-24)	2
4	98760	AIR FILTER	1
5	09218	AIR FILTER COVER	1
6	00772	DECAL-Choke	1

BackPacker Blower UT-08121 08121-UT BackPacker Blower UT-08121 BackPacker Blower - Starter

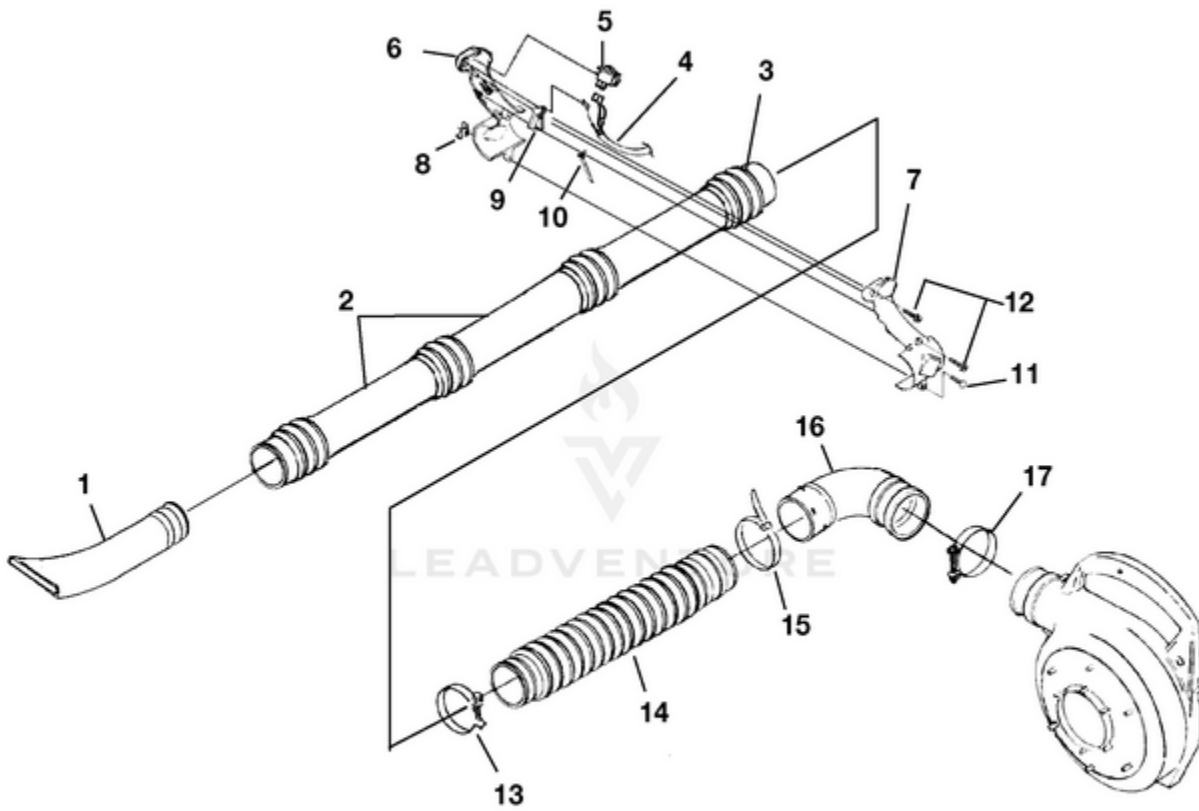


TORQUE SPECIFICATIONS			
Item No.	In/Lbs	Nm	Required Loctite
5	55-60	6.2-6.8	
6	20-30	2.3-3.4	
9	8-12	9-1.4	
16	30-40	3.4-4.5	
18	20-30	2.3-3.4	
19	20-30	2.3-3.4	
22	8-12	9-1.4	

Rendered by LeadVenture, Inc.

Ref #	Part #	Description	Qty
1	00368A	LATCH-Throttle	1
2	00370	SPRING-Throttle Latch	1
3	00367	TRIGGER-Throttle	1
4	00369A	LEVER-Throttle	1
5	82538	SCREW-Thread Form. (10-24 X 3/4)	4
6	JA416903	SCREW-Thread Form. (#10 X 1 5/8)	1
7	08684	HEAT SHIELD	5
8	00374	PLATE-Rotor	1
9	82528	SCREW-Thread Form. (#6 X 1 3/8)	1
10	PS01200	GRIP-Starter (Yellow)	1
11	969811A	BUSHING-Starter	1
12	00364B	GUIDE-Starter Rope	1
13	A98773A	SPRING & CONTAINER	1
14	98770A	PULLEY-Starter	1
15	98791	BRACKET-Retaining	2
16	82541	SCREW-Thread Form. (#10 X 1/2)	2
17	9789901	ROPE-Starter	1
18	PS82146	SCREW-Phil. Hd. (8-32 X 5/8)	1
19	82563	SCREW-Thread Form. (10-24 X 3/4)	4
20	00393	HANDLE	1
21	PS03167	INNER VOLUTE HOUSING	1
22	82348A	SCREW	2
23	A07238	LEAD-Ground	1
24	PS02146	DECAL-Help	1
25	PS02311	LABEL-Decible Level 67 d B (A)	1

BackPacker Blower UT-08121 08121-UT BackPacker Blower UT-08121 BackPacker Blower - Tubes

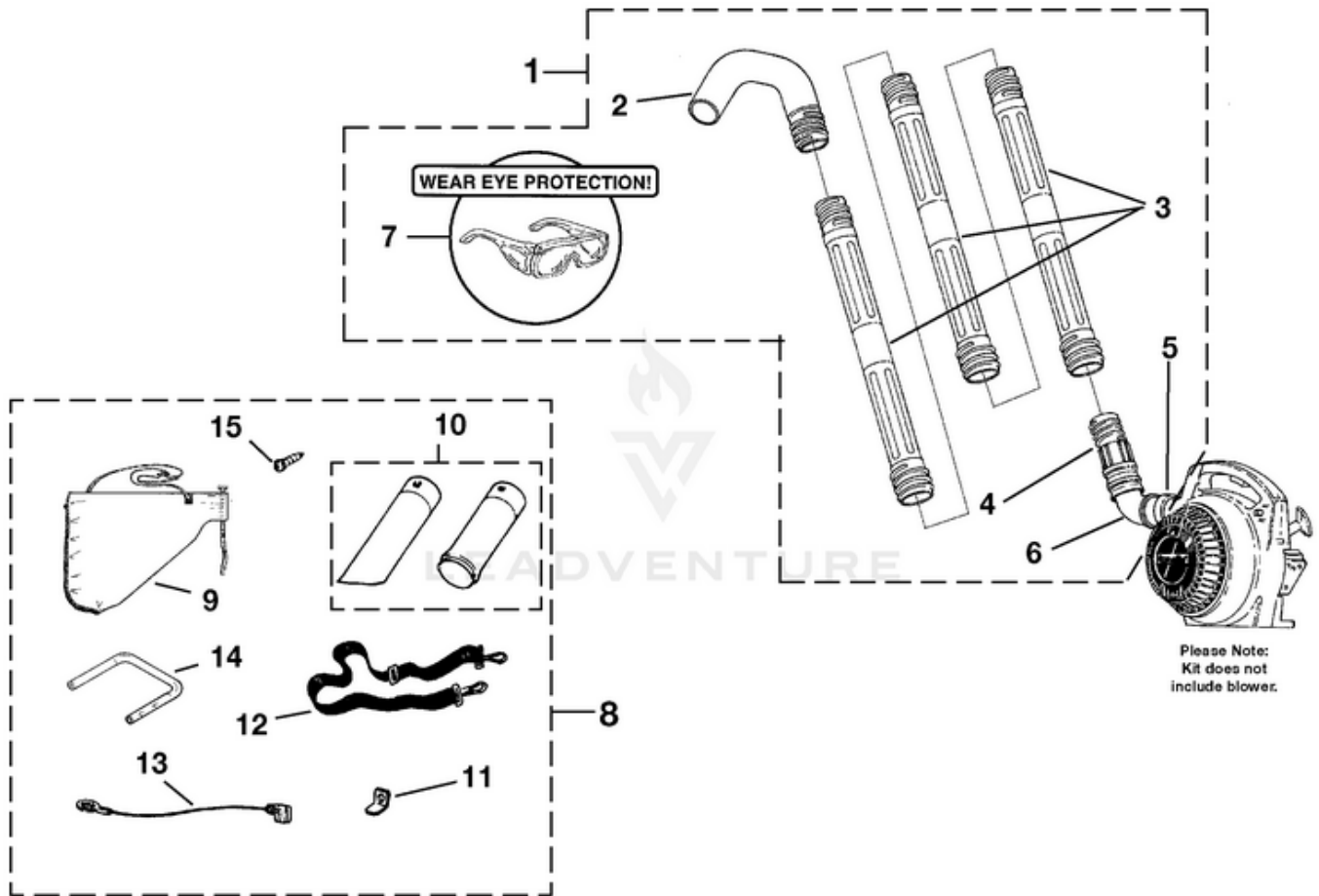


TORQUE SPECIFICATIONS			
Item No.	In/Lbs	Nm	Required Loctite
12	20-30	2.3-3.4	

Rendered by LeadVenture, Inc.

Ref #	Part #	Description	Qty
1	PS02886	SWEEPER NOZZLE	1
2	PS02940	LOWER TUBE	2
3	PS02941	UPPER TUBE	1
4	PA00666	CABLE-Throttle w/ Ignition Leads	1
5	985703001	SWITCH	1
6	03922	HANDLE-Control (Right)	1
7	03923	HANDLE-Control (Left)	1
8	81281	NUT - Wing (10-24)	1
9	94452B	TRIGGER	1
10	95906A	LATCH-Trigger	1
11	82375	BOLT-Rib Neck, Rnd. Hd. (10-24 X 7/8")	1
12	82563	SCREW-Thread Form. (10-14 X 3/4")	2
13	004331	CLAMP (#87)	1
14	01772	BELLOWS-Plastic	1
15	JA375487	CABLE-Tie	1
16	01771A	ELBOW-Curved	1
17	004335	CLAMP	1

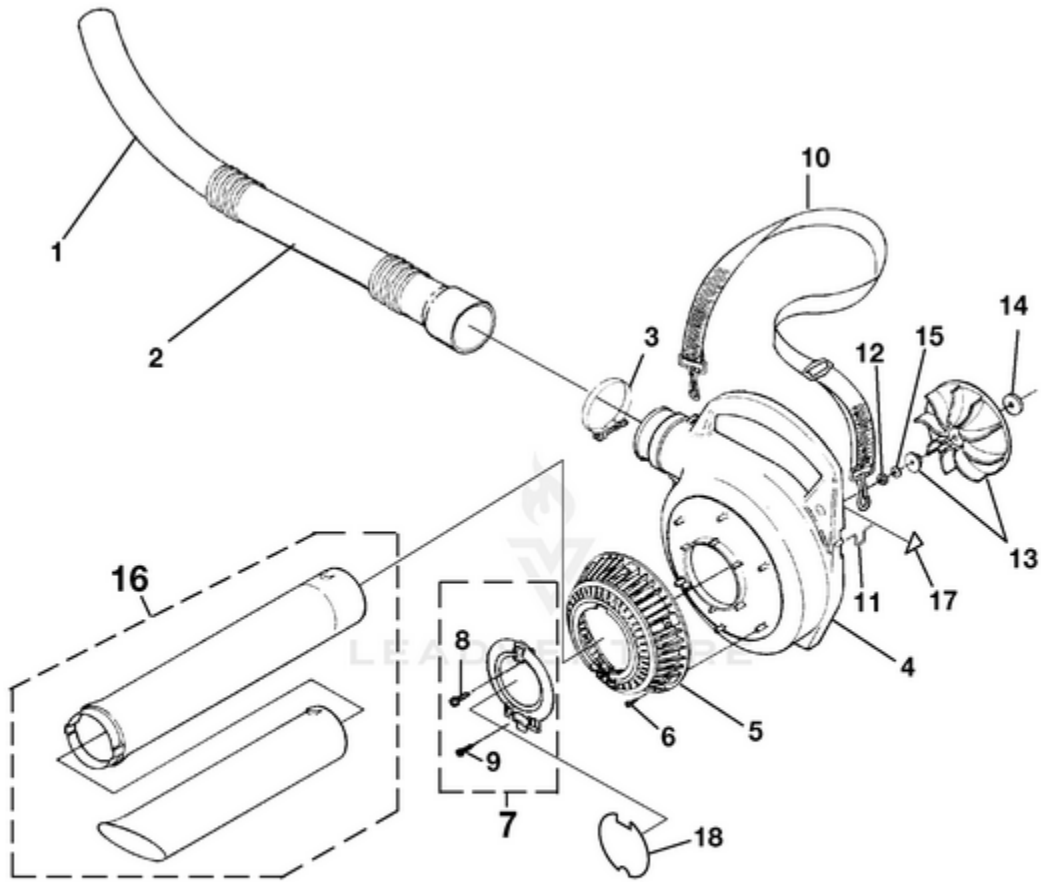
BackPacker Blower UT-08121 08121-UT BackPacker Blower UT-08121 BackPacker Blower - Tubes - Accessories



Rendered by LeadVenture, Inc.

Ref #	Part #	Description	Qty
1	A07069A	USE A07069AA	1
2	07543	FULL ELBOW	1
3	07498	STRAIGHT TUBE	3
4	08711A	ADAPTER GUTTER ATTACHMENT	1
5	00433B	CLAMP w/Fasteners	1
6	A07627	ADAPTER & ELBOW	1
7	02557A	SAFETY GLASSES-Clear	1
8	984912001	VACUUM KIT	1
9	PS02375	LEAF BAG	1
10	984909001	VACUUM TUBE KIT w/ Decal	1
11	02851	TAB-Male	1
12	96337C	HARNESS-Shoulder	1
13	A07238	LEAD-Ground	1
14	00393	HANDLE	1
15	82348A	SCREW	1
	PS06319	OPERATOR'S MANUAL - UT08929A	
	PS06320	OPERATOR'S MANUAL - UT08930A	
	983000117	OPERATOR'S MANUAL - UT08121	

BackPacker Blower UT-08121 08121-UT BackPacker Blower UT-08121 BackPacker Blower - Volute, Fan
And Tubes



TORQUE SPECIFICATIONS			
Item No.	In/Lbs	Nm	Required Loctite
6	8-12	9-1.4	
8	10-20	1.1-2.3	
9	8-12	9-1.4	
12	130-150	14.7-16.9	

Rendered by LeadVenture, Inc.

Ref #	Part #	Description	Qty
1	PS02942	NOZZLE, ROUND	1
2	PS02885	TUBE, UPPER YB	1
3	00433B	CLAMP w/Fasteners	1
4	PS03169	OUTER VOLUTE HOUSING	1
5	00320	BLOWER VAC GRILLE	1
6	82528	SCREW-Thread Form. (#6 X 3/8)	6
7	984910001	ACCESS DOOR KIT	1
8	82312	SCREW-Thread Rolling (#10 X 5/8)	1
9	82376	SCRE W-Thread Form. (#8 X 1/2)	1
10	96337C	SHOULDER STRAP	1
11	00398	WIRE LOOP	1
12	81124A	NUT-Hex (3/8-24)	1
13	984911001	BLOWER FAN KIT	1
14	03165	WASHER-Flat	1
15	03163	WASHER-Bellville (3/8)	1
16	984909001	TUBE Kit w/Decals(Vacuum units only)	1
17	09201	DECAL-Idle Adjustment	1
18	PS01679	DECAL-Model ID	1