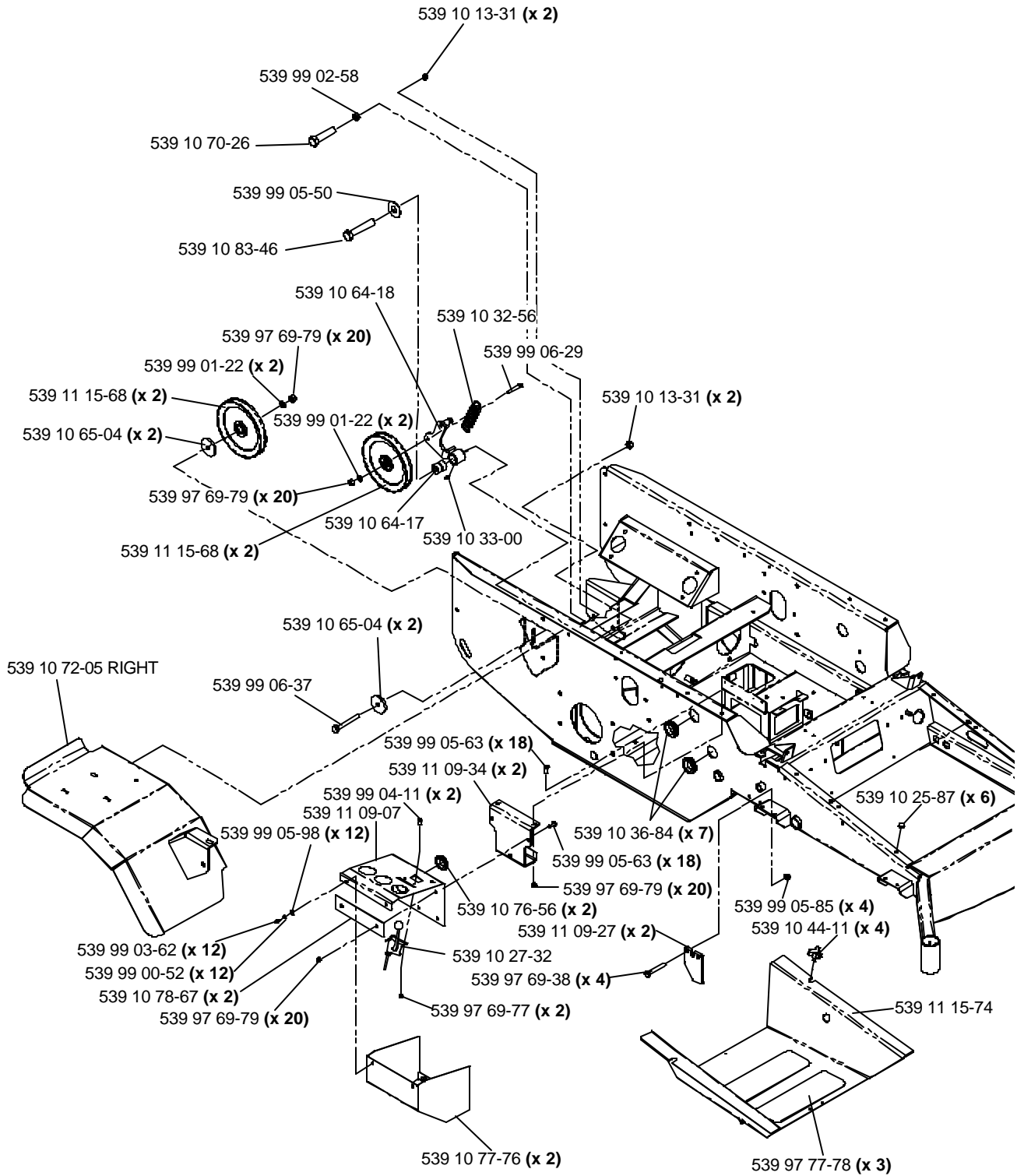
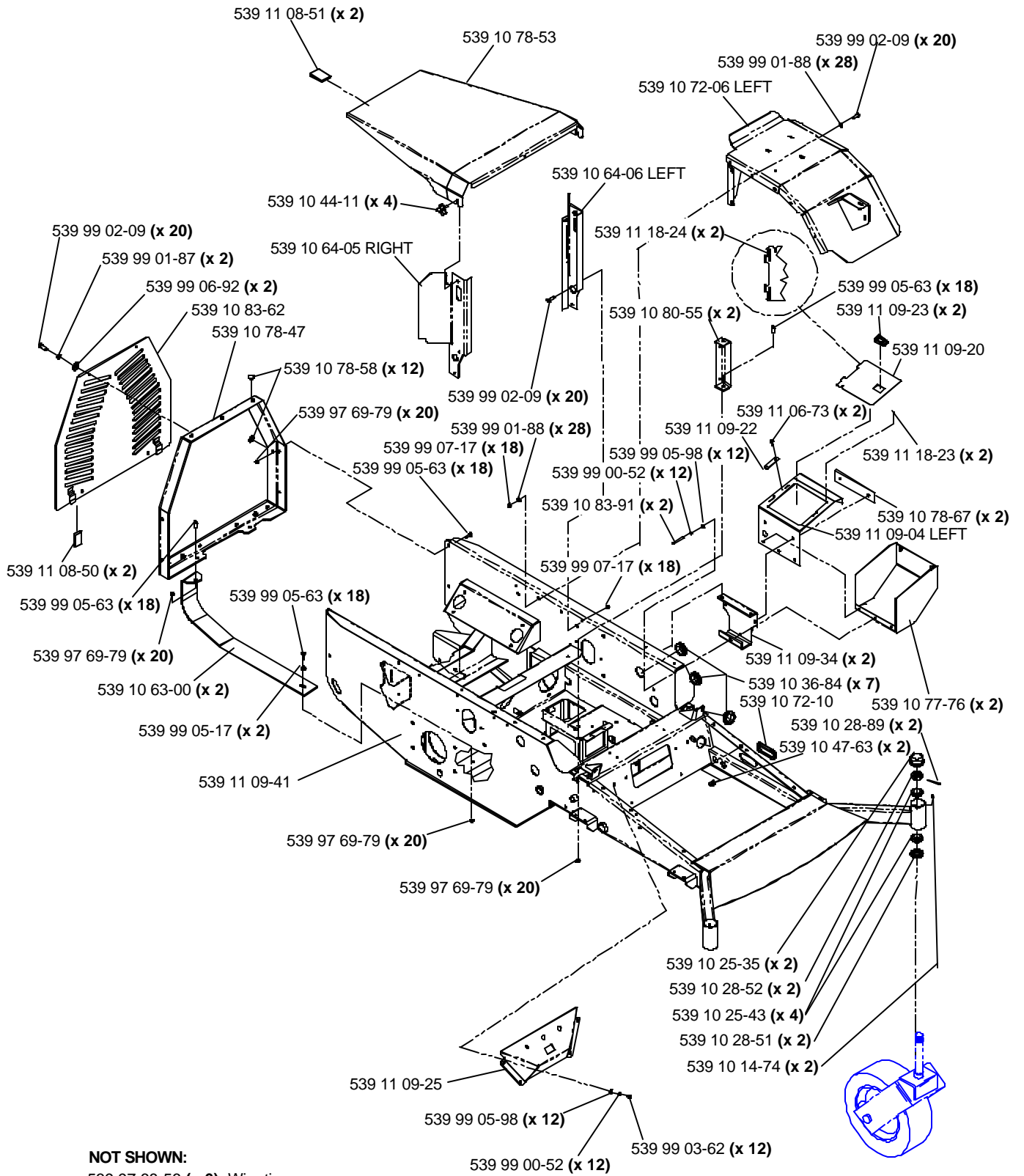


# MAIN FRAME ASSEMBLY

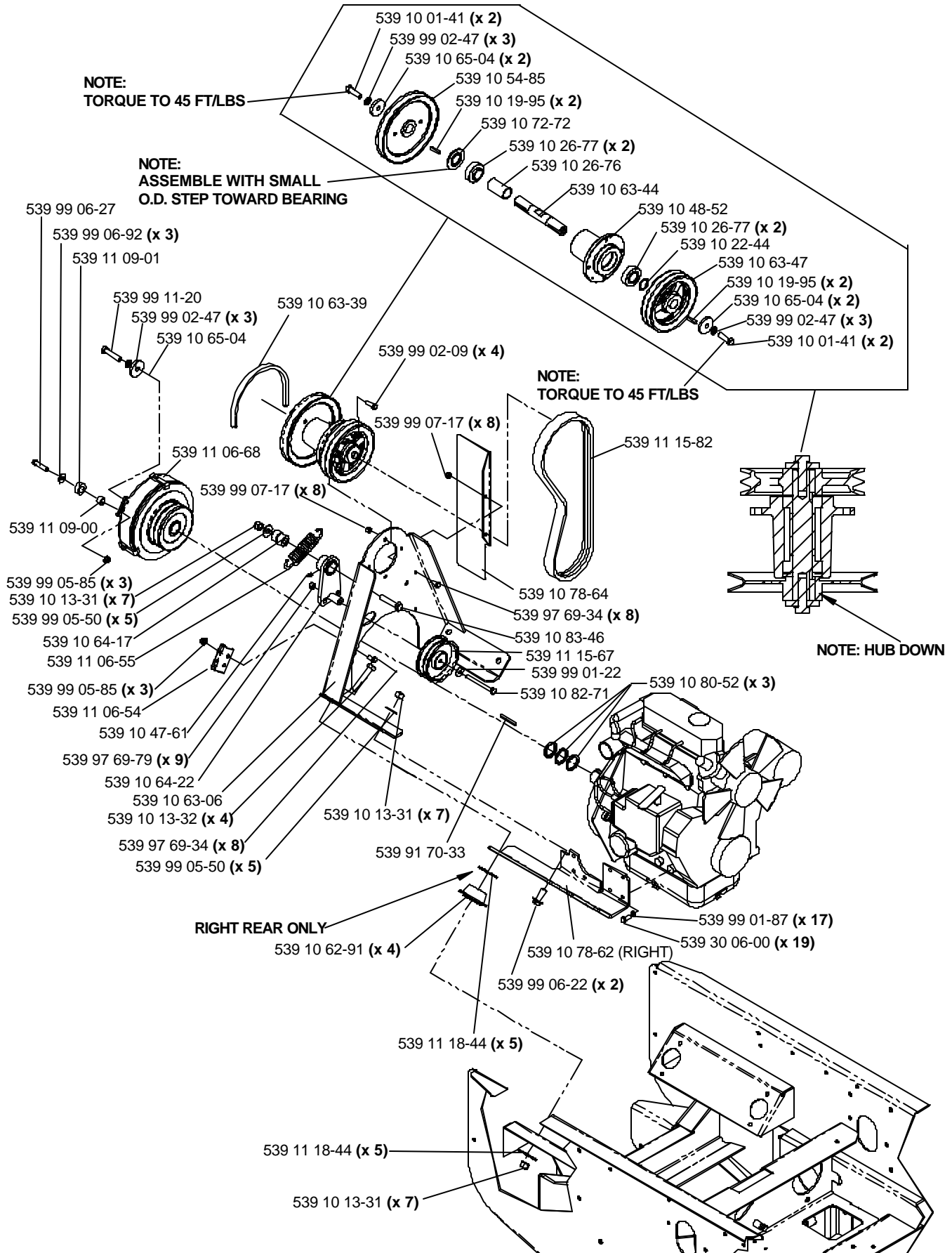


# MAIN FRAME ASSEMBLY



# ENGINE ASSEMBLY

**27 H.P.**



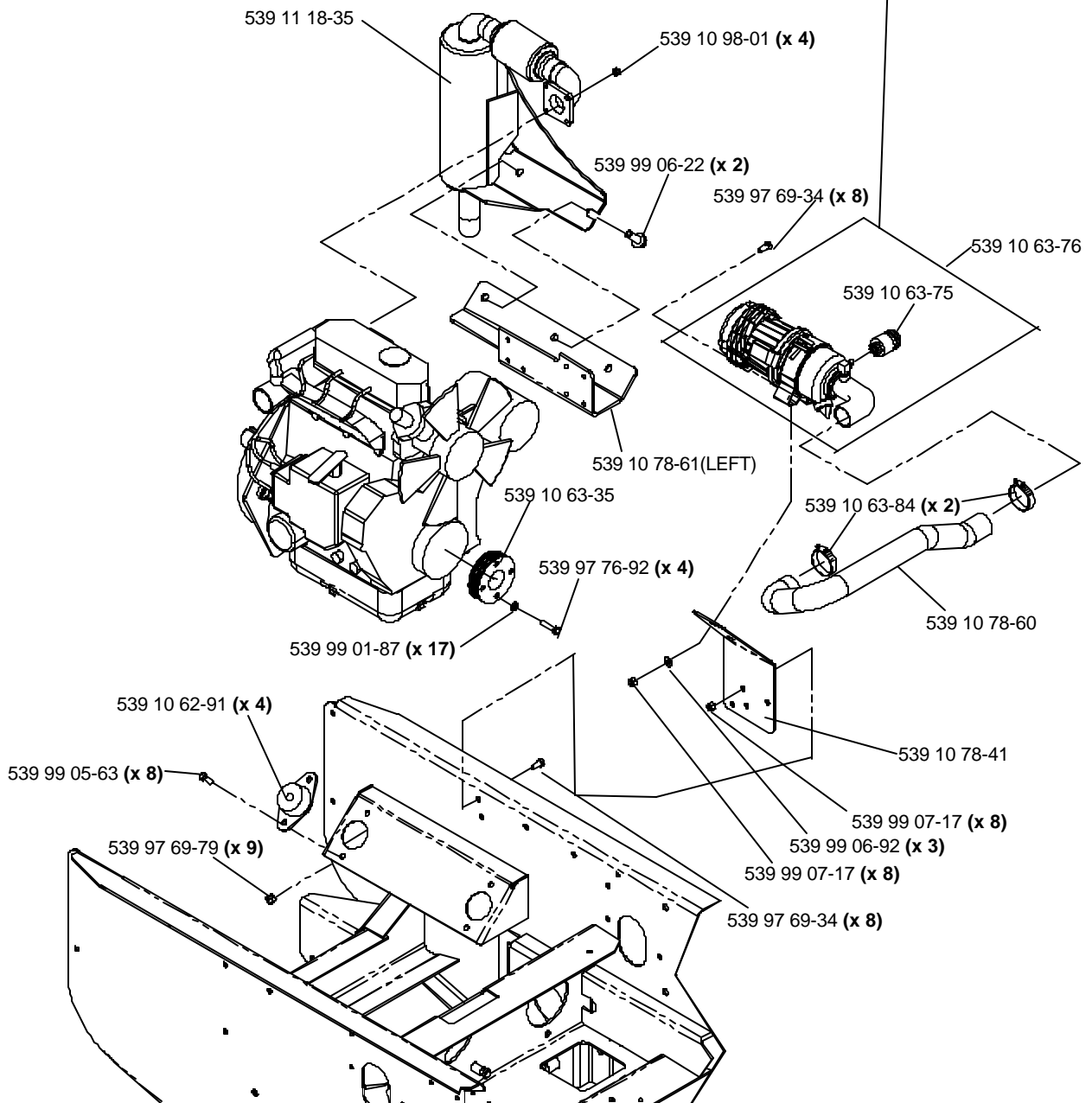
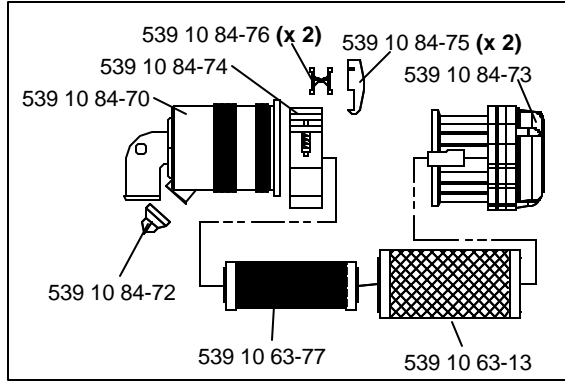
# ENGINE ASSEMBLY

27 H.P.

**NOT SHOWN:**

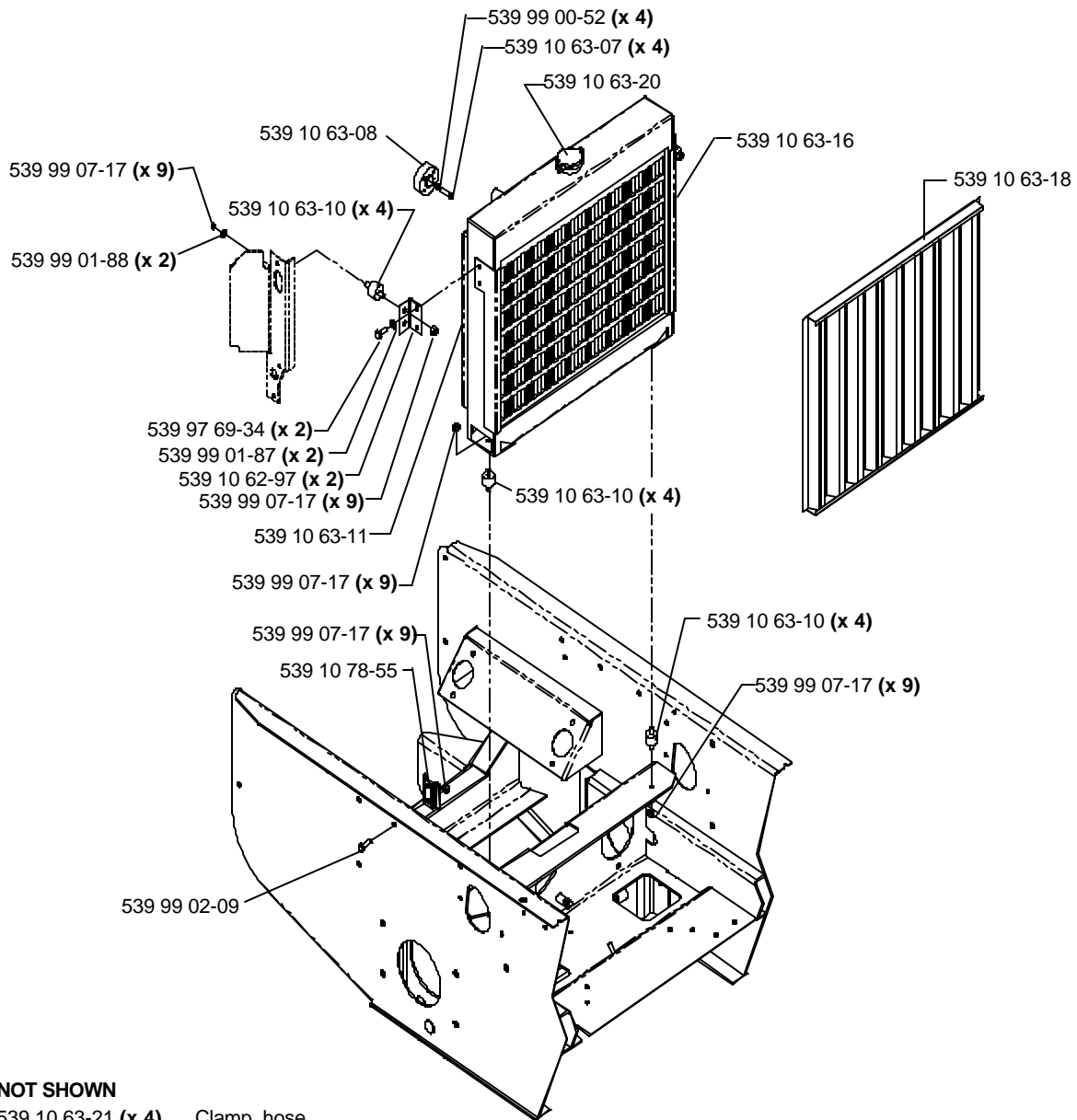
539 10 63-27 Stub shaft

539 10 91-77 Manifold gasket



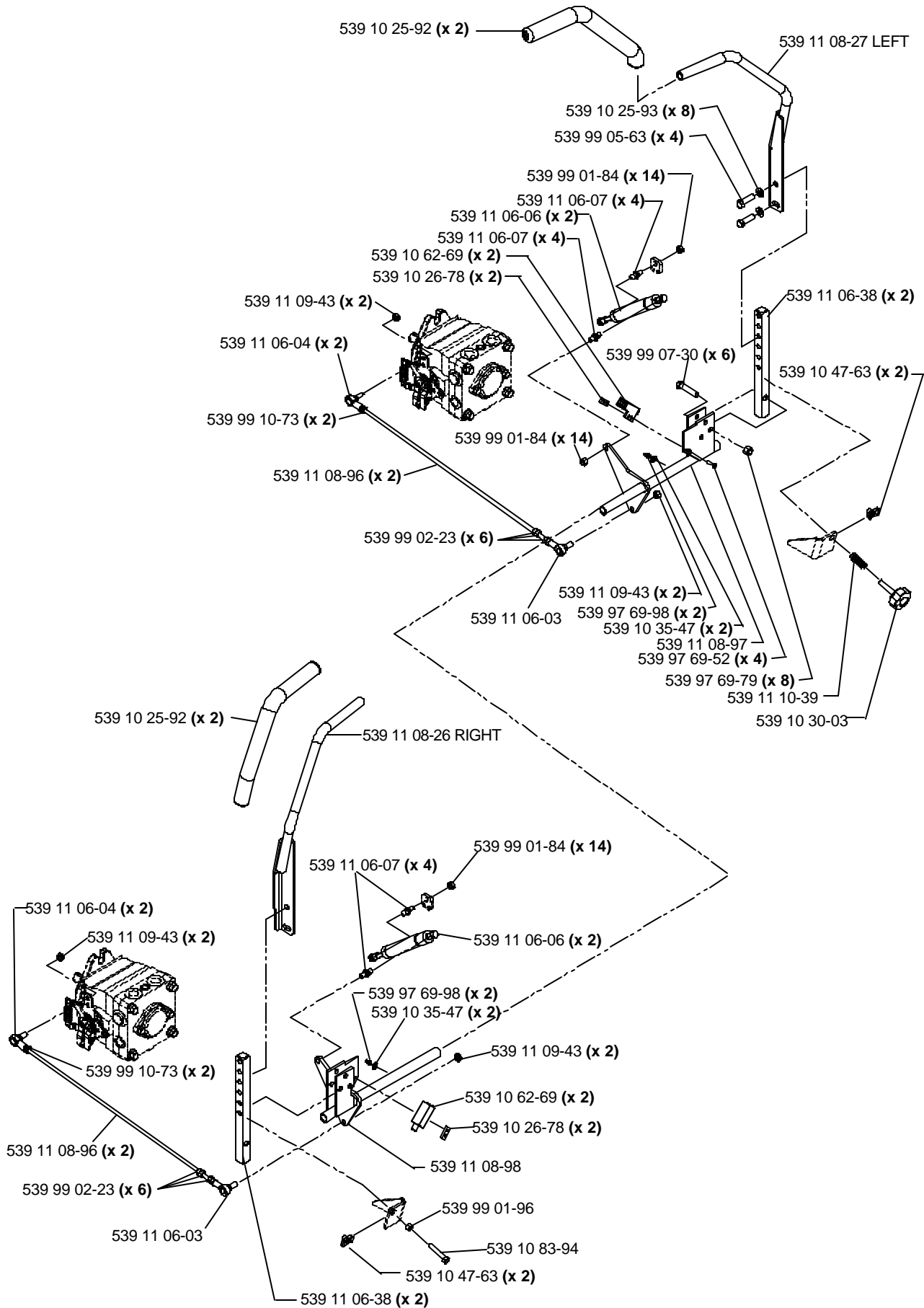
# RADIATOR

## 27 H.P.

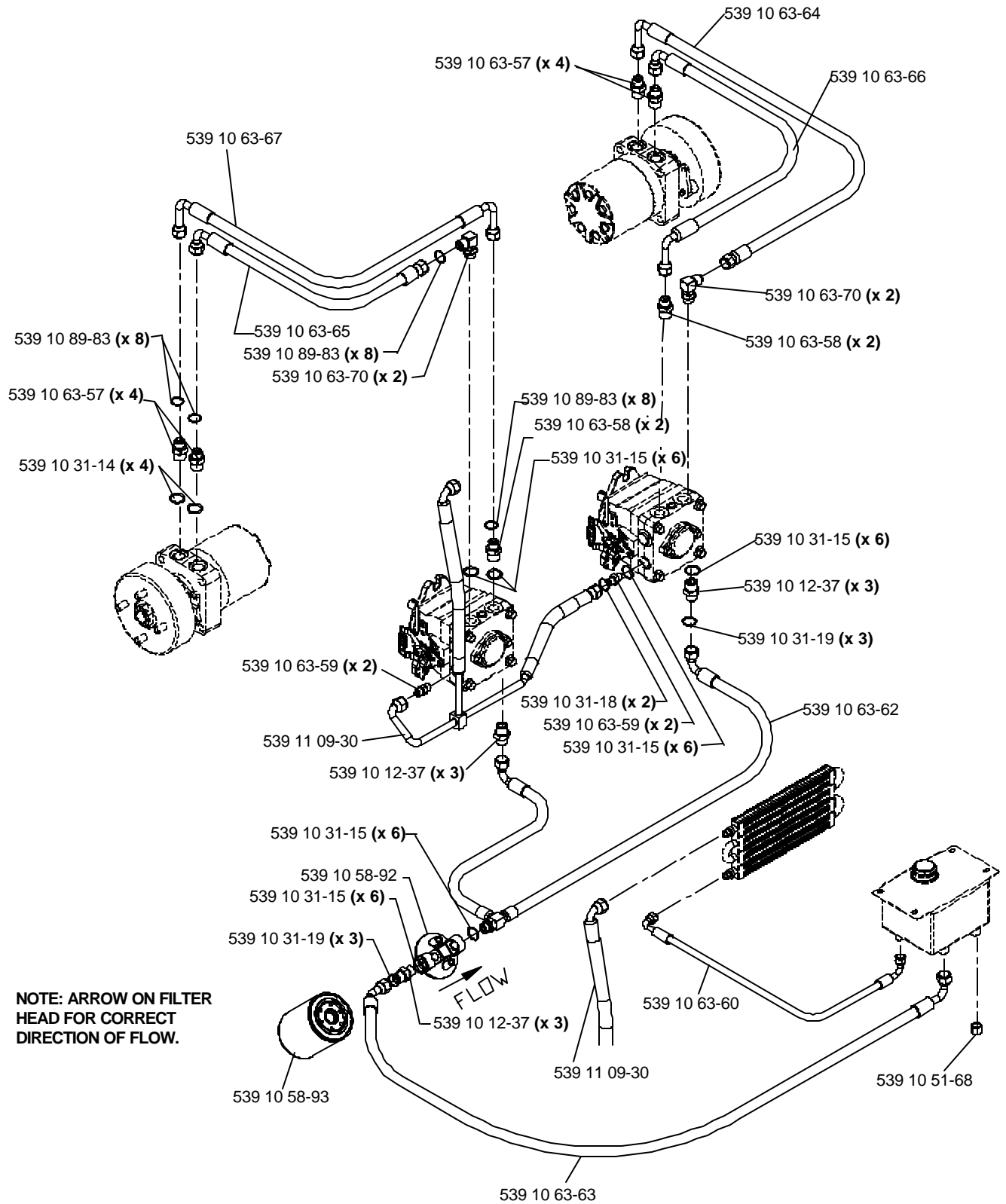


- NOT SHOWN**
- 539 10 63-21 (x 4) .... Clamp, hose
  - 539 10 63-26 ..... Hose, lower
  - 539 10 63-25 ..... Hose, upper
  - 539 10 64-02 ..... Overflow reservoir
  - 539 10 63-22 (x 2) .... Drain, radiator

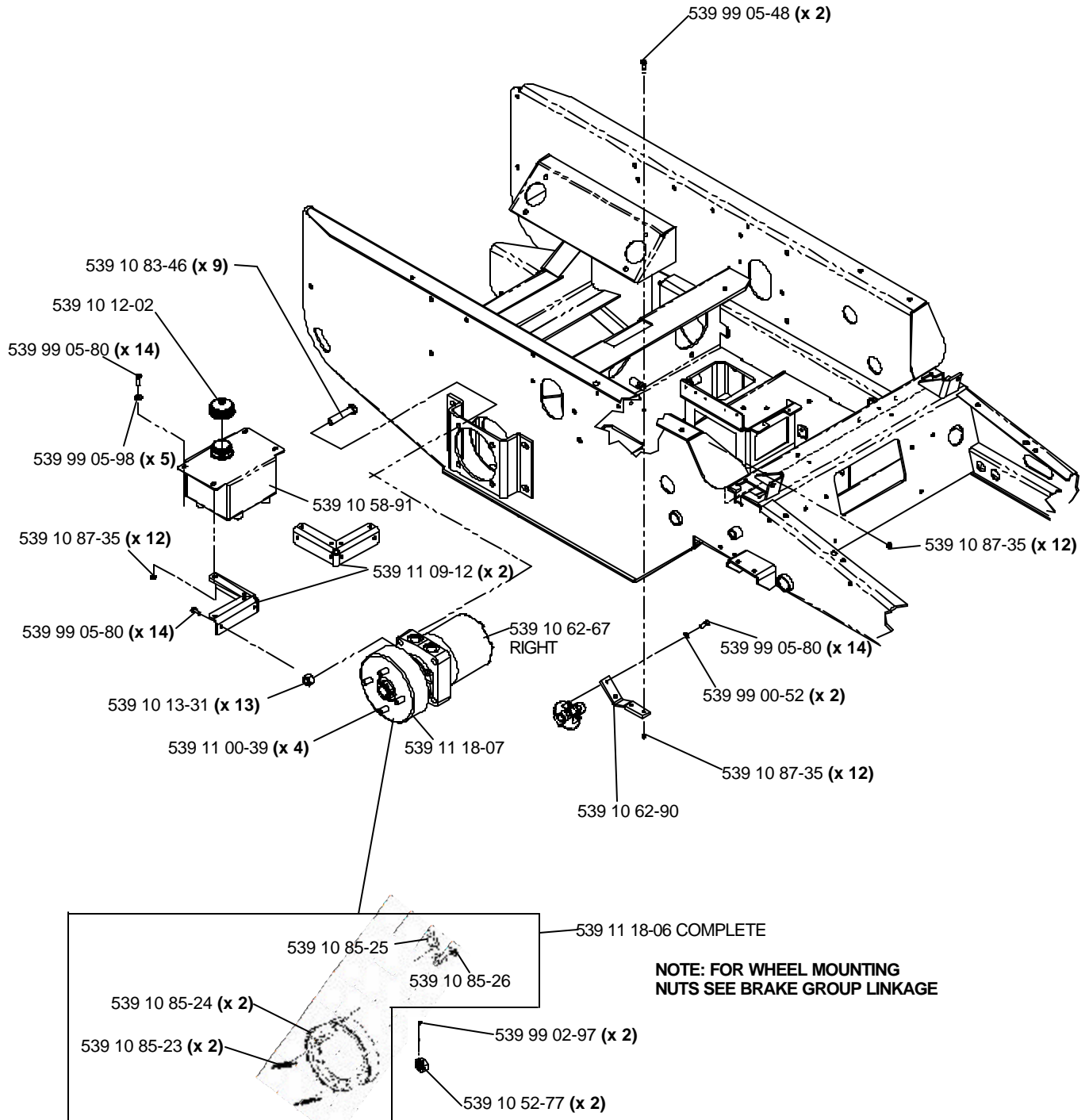
# MOTION CONTROL



# HYDRAULIC HOSES AND FITTINGS

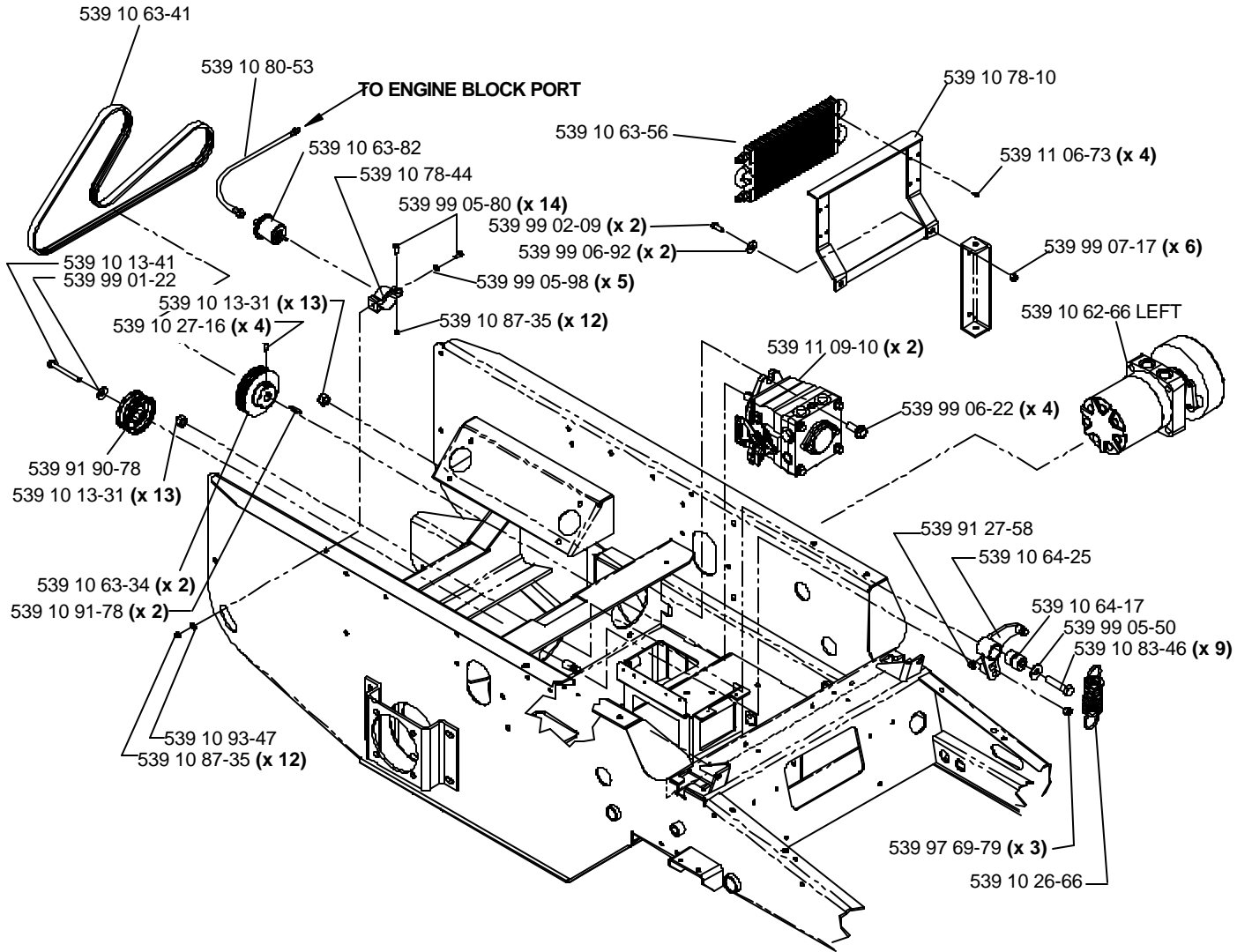


# HYDRAULIC ASSEMBLY

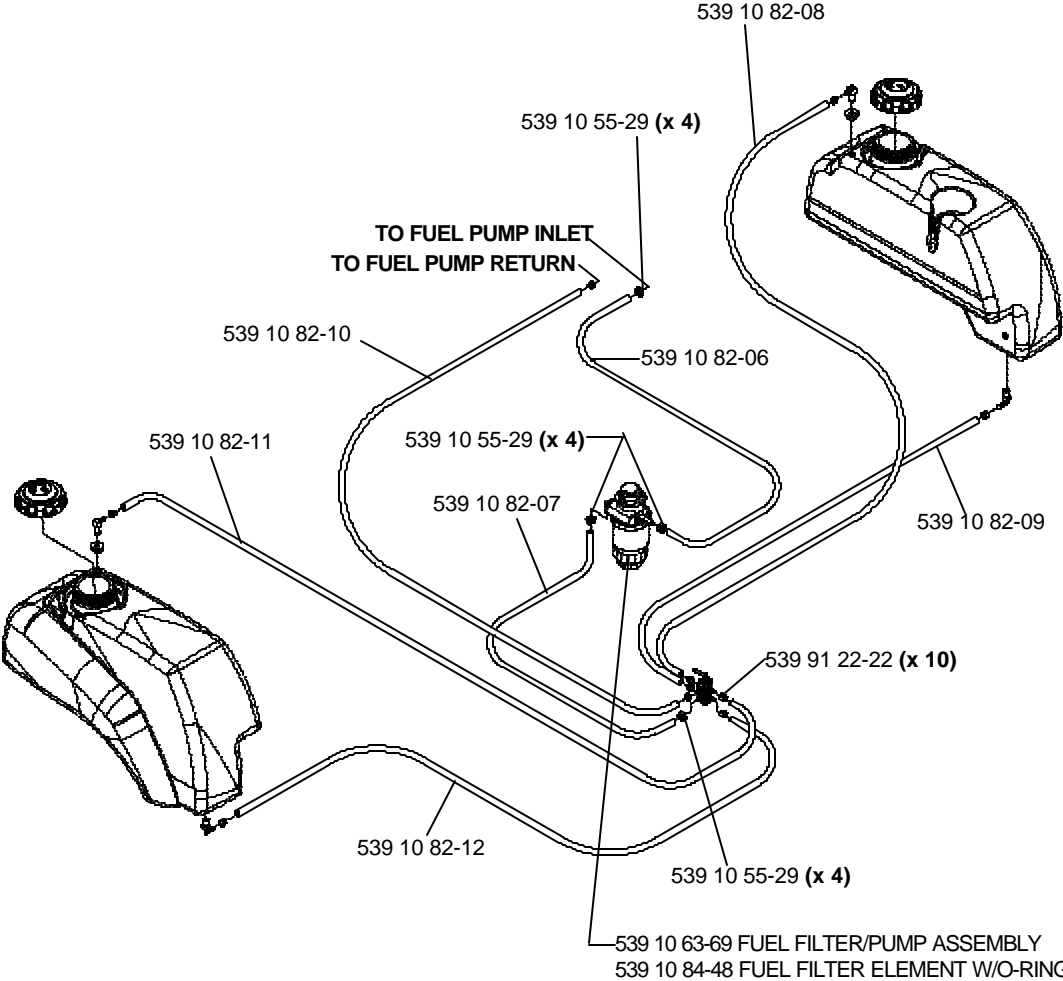




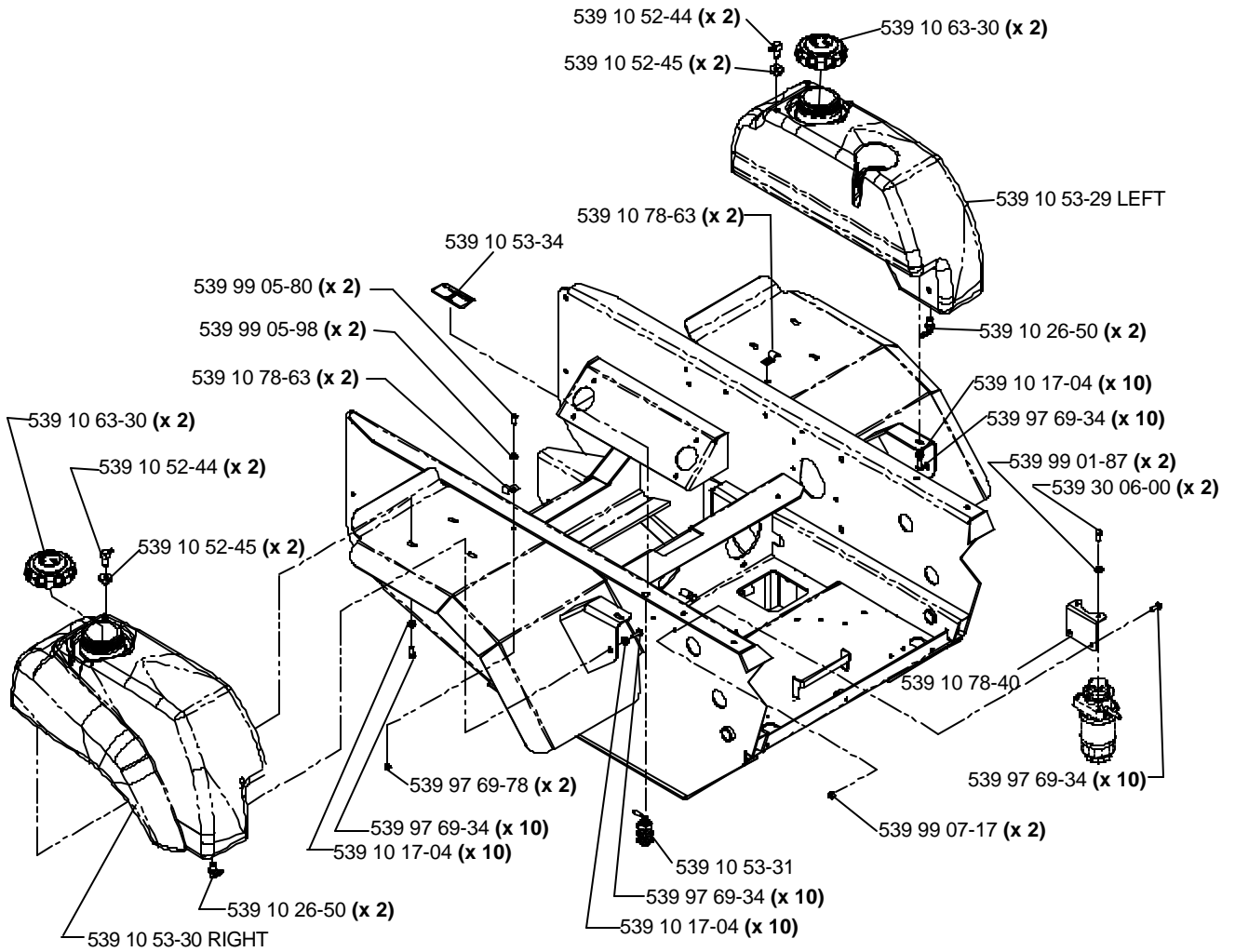
# HYDRAULIC ASSEMBLY



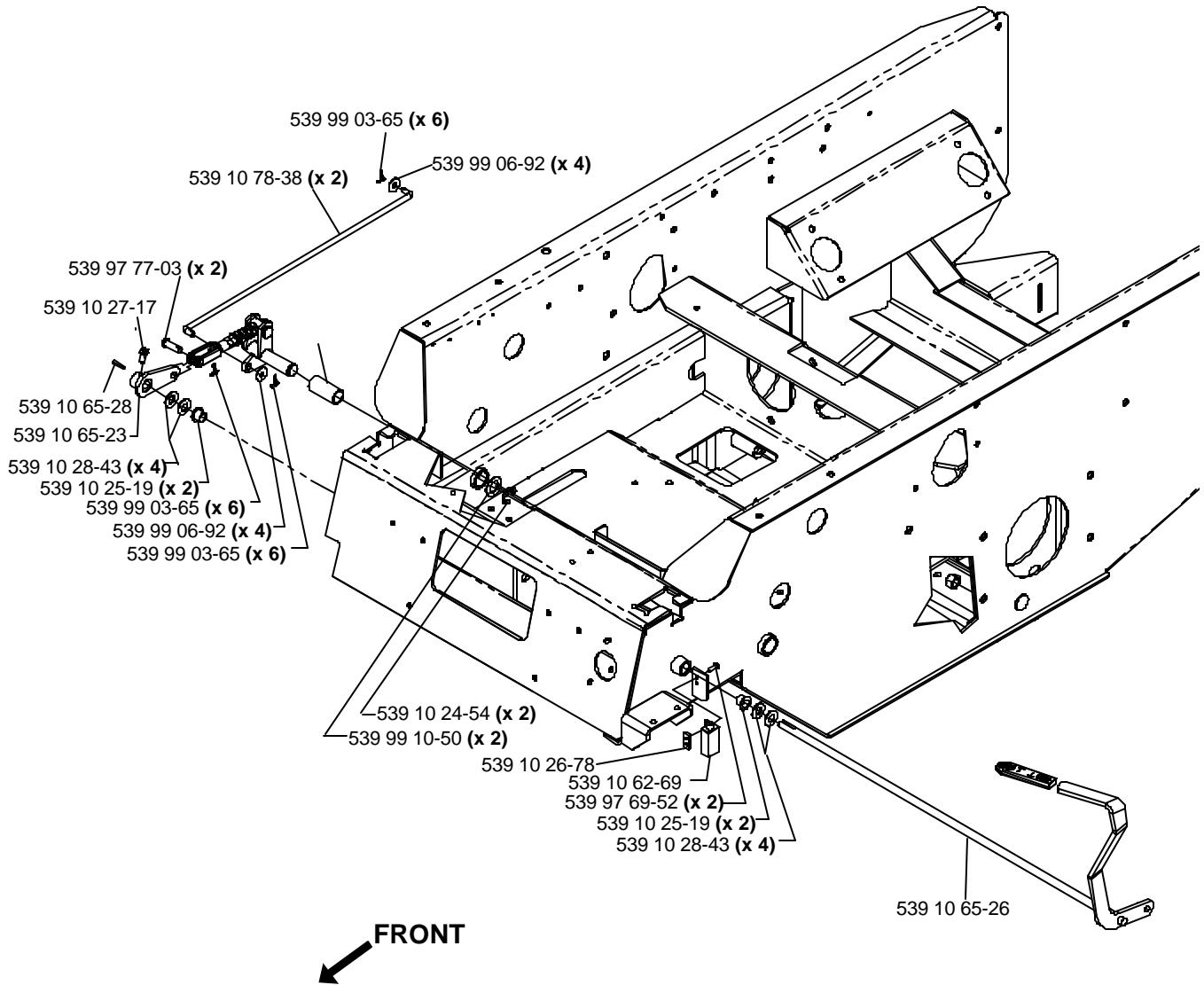
# FUEL GROUP



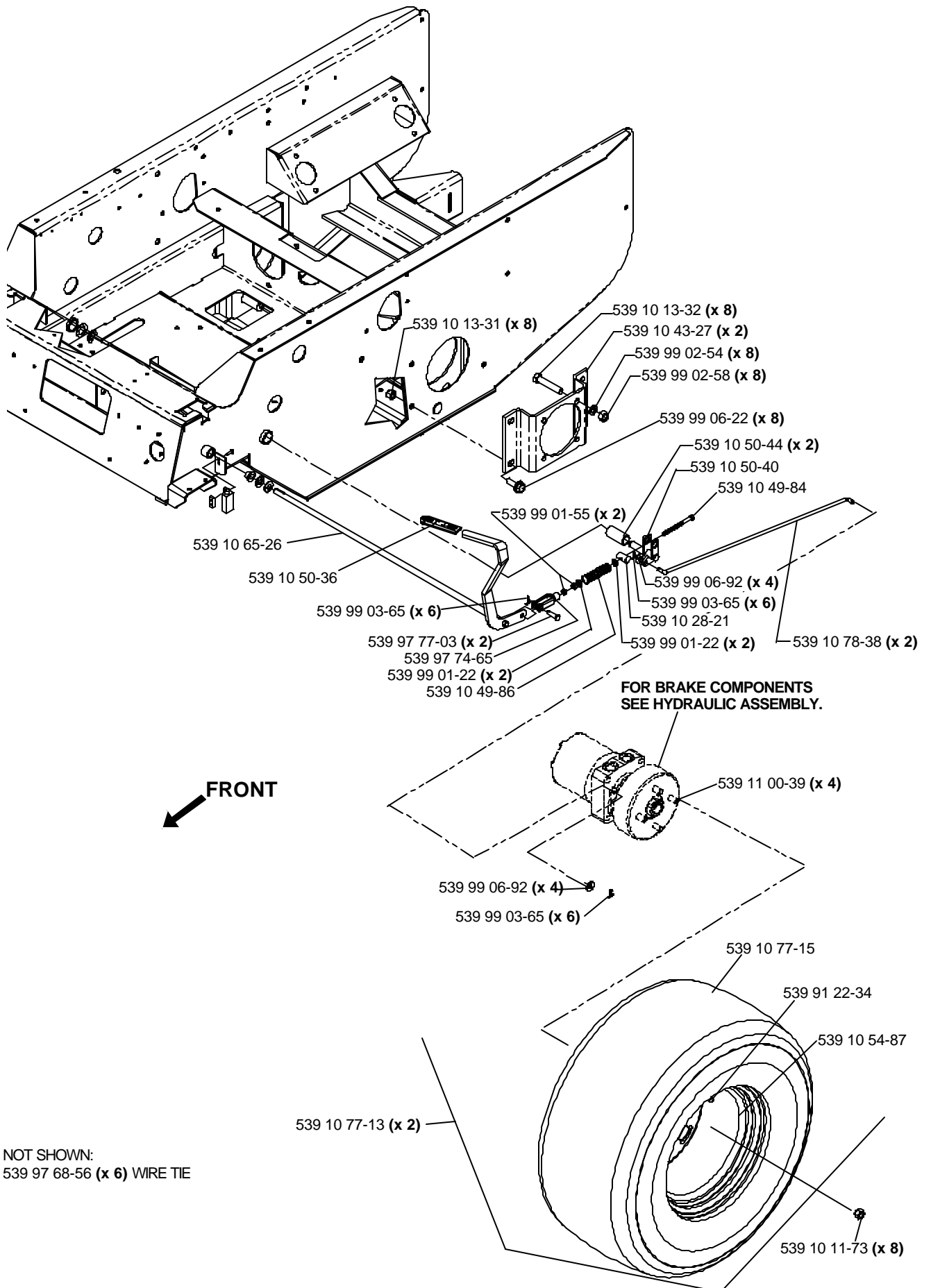
# FUEL GROUP



# BRAKE GROUP LINKAGE



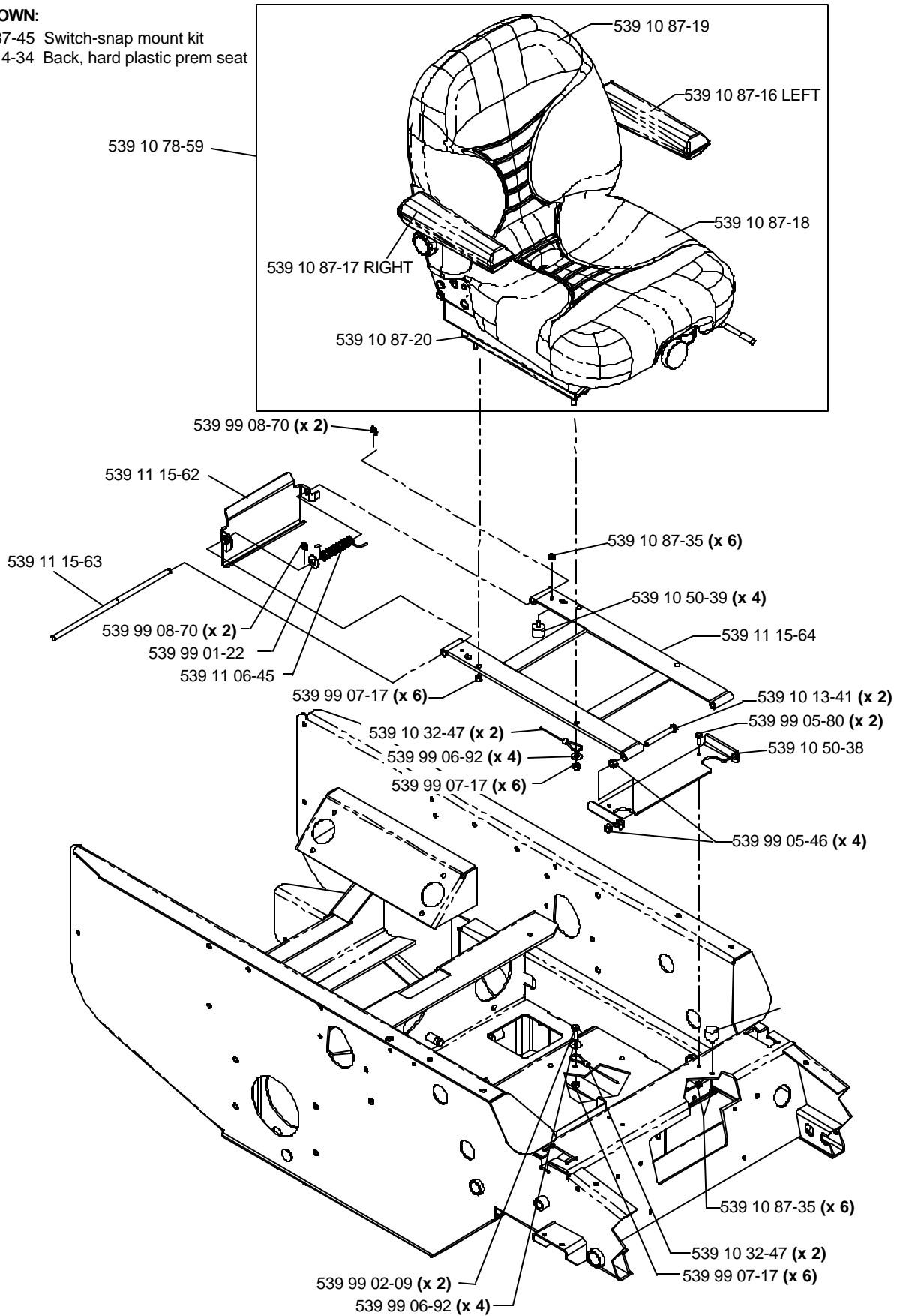
# BRAKE GROUP LINKAGE



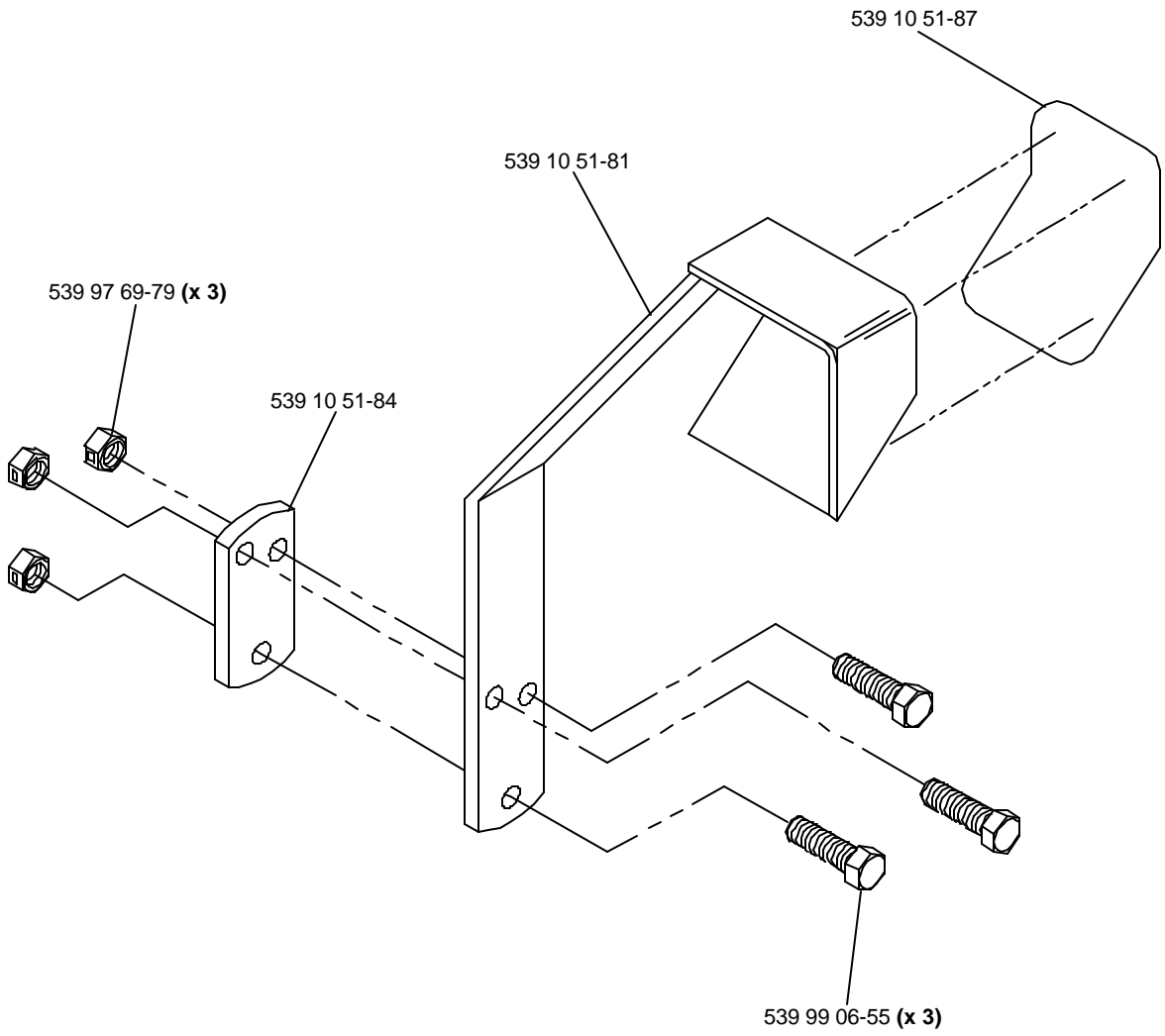
# SEAT ASSEMBLY

**NOT SHOWN:**

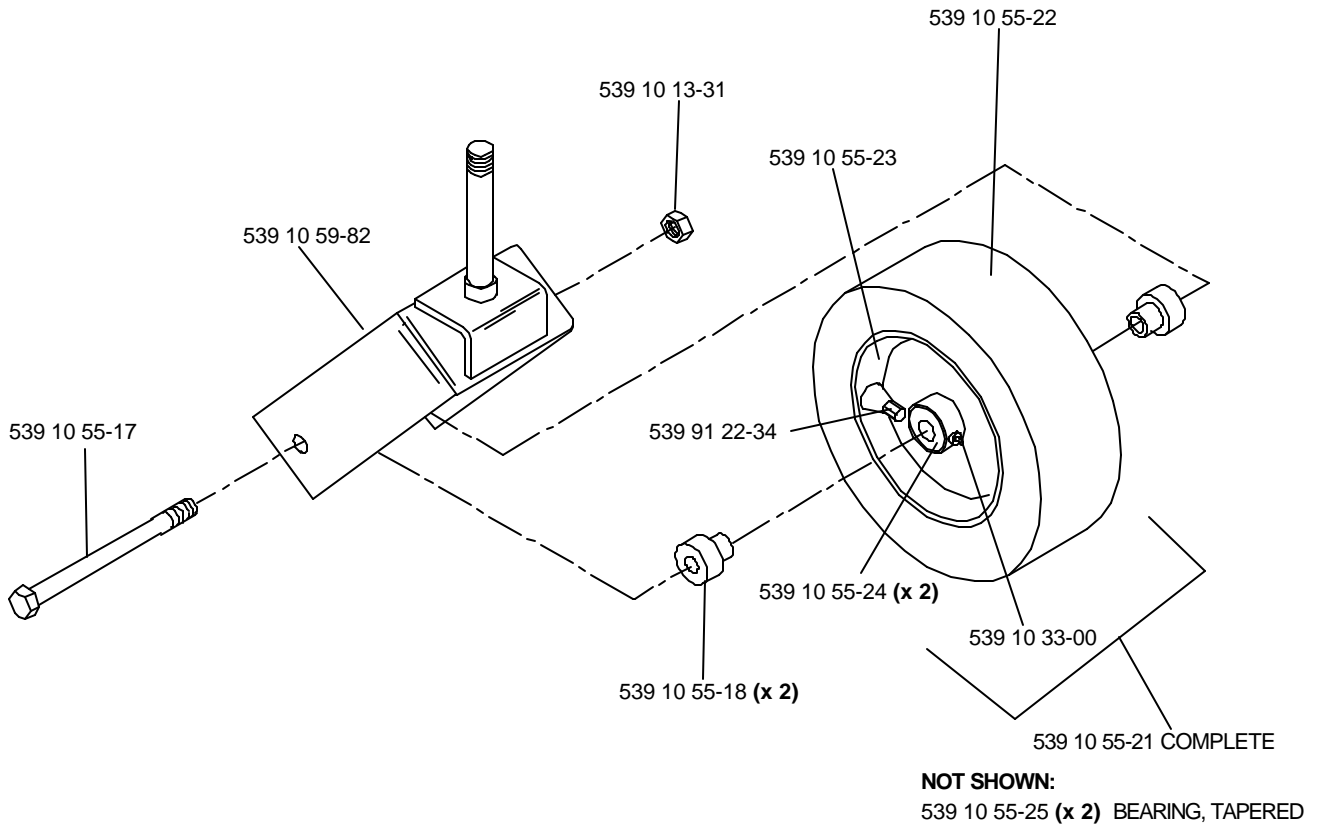
- 539 10 87-45 Switch-snap mount kit
- 539 11 14-34 Back, hard plastic prem seat



# FOOT PEDAL



# CASTER ASSEMBLY

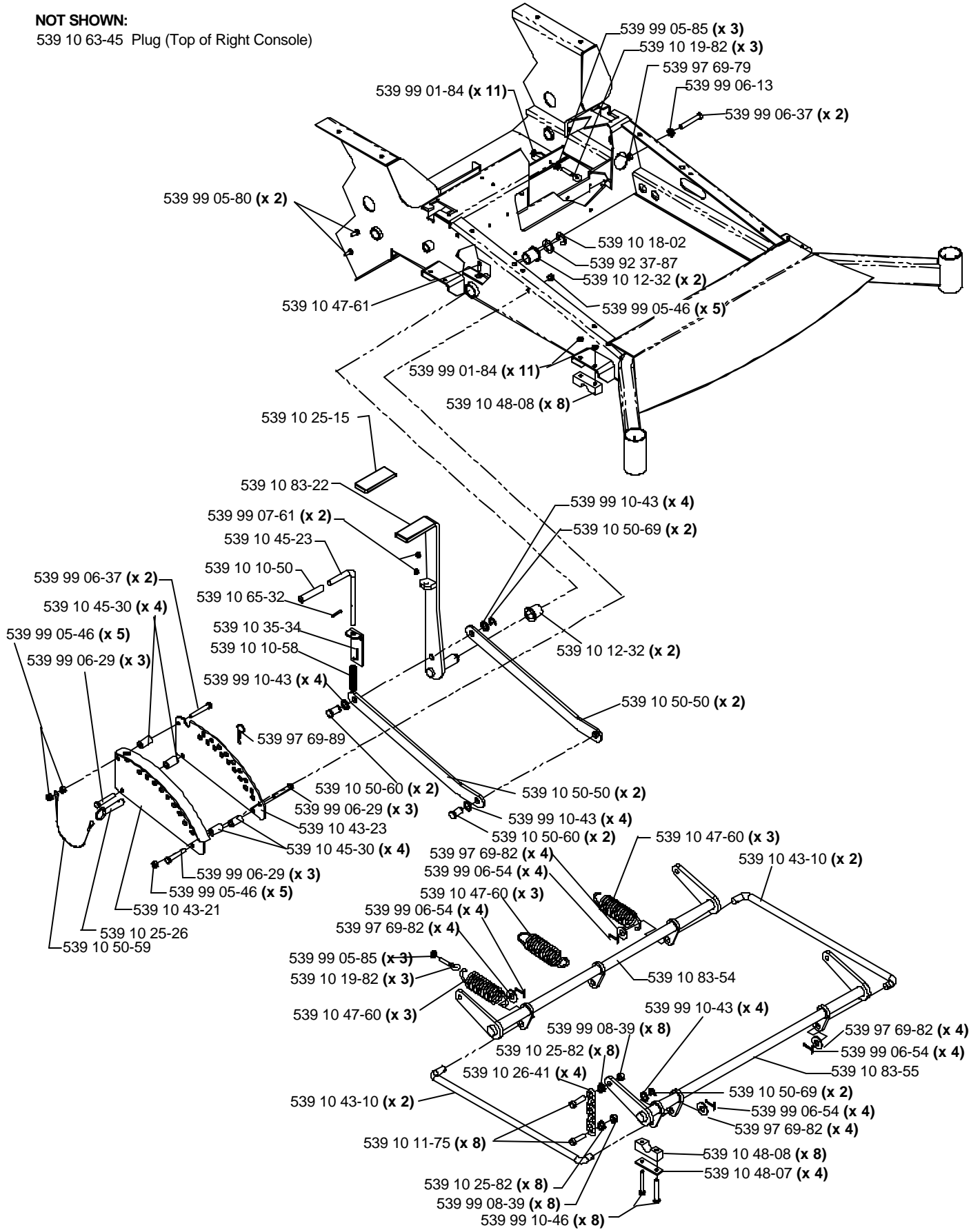




# DECK LIFT MANUAL

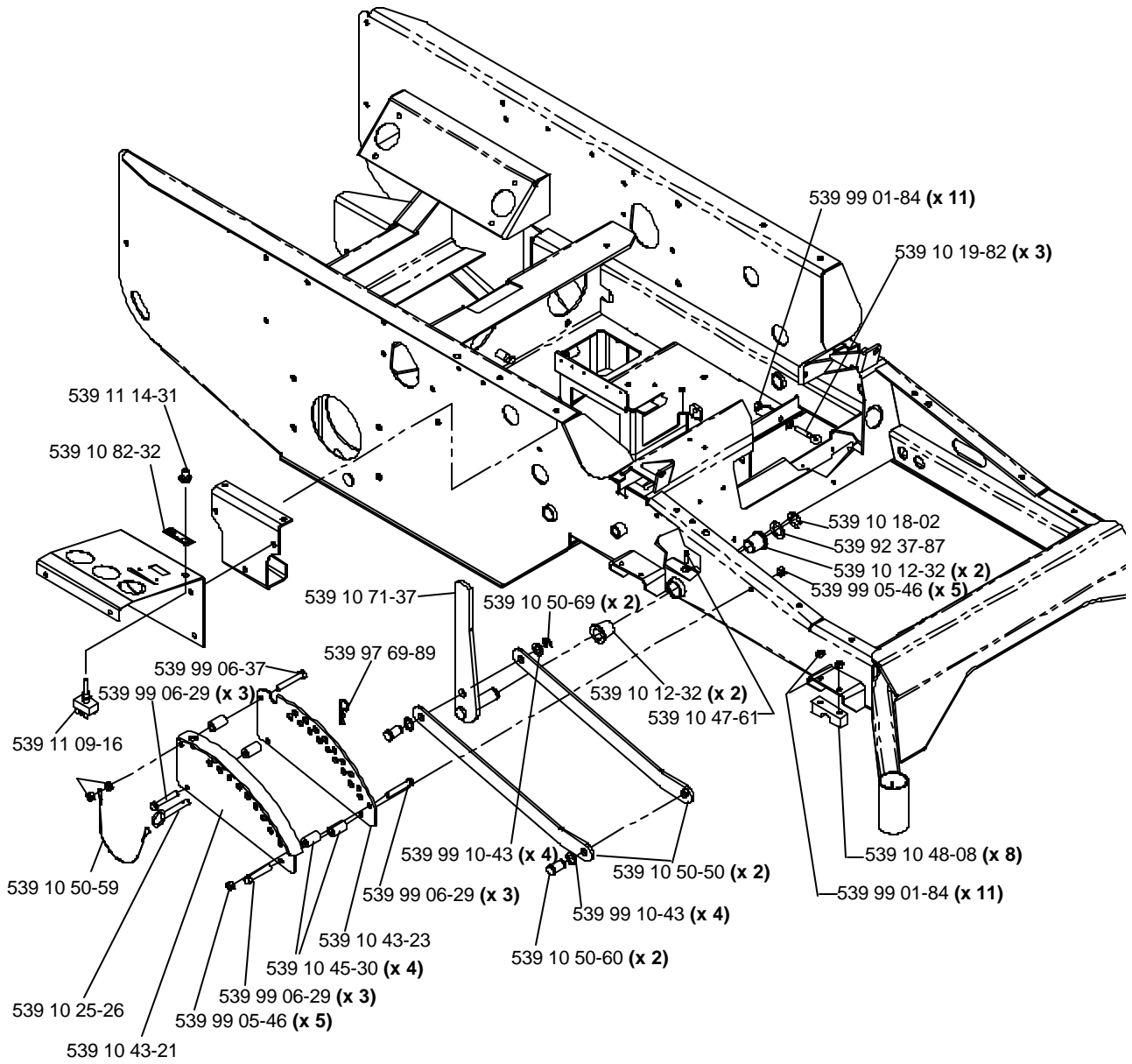
**NOT SHOWN:**

539 10 63-45 Plug (Top of Right Console)



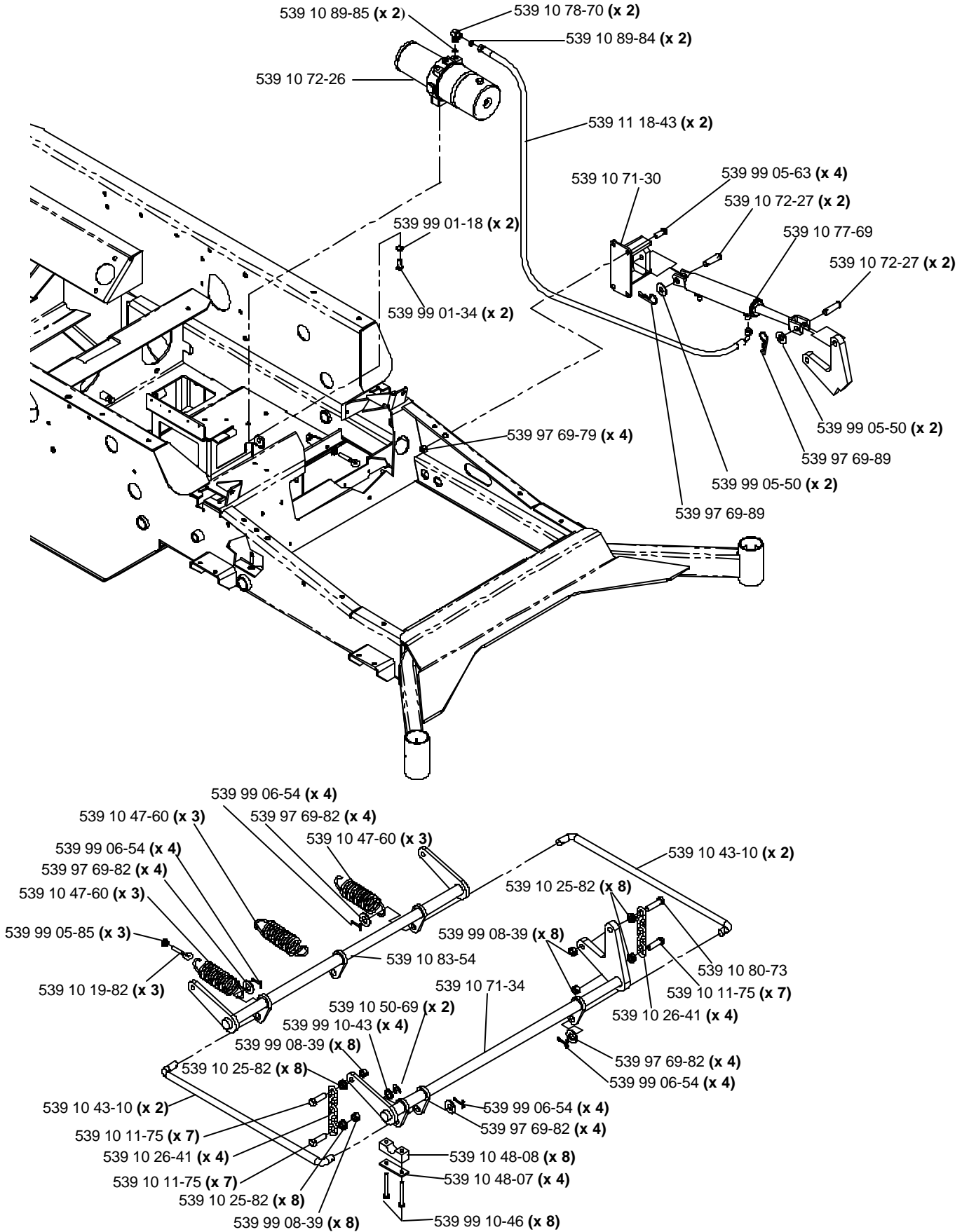
# DECK LIFT

## POWER



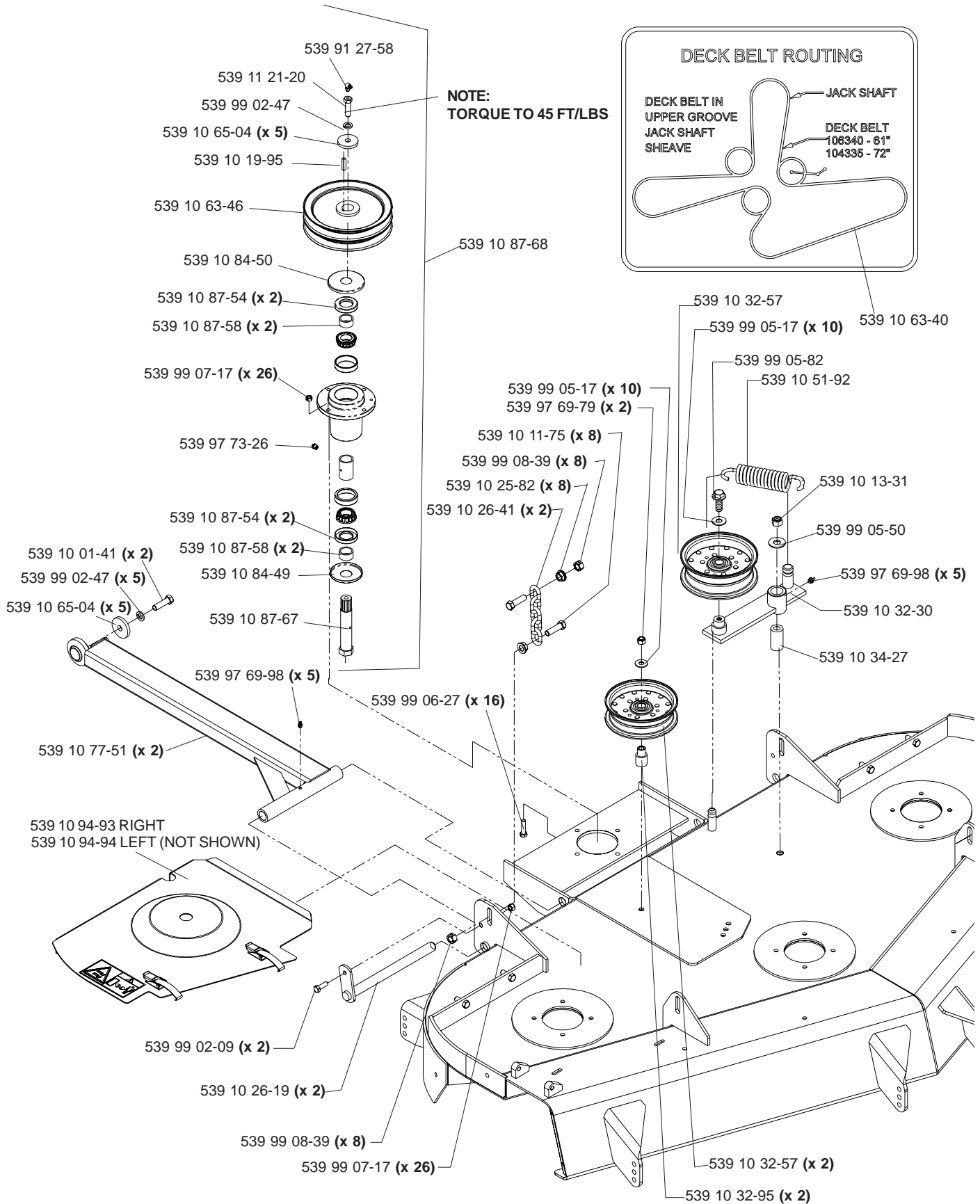
# DECK LIFT

## POWER



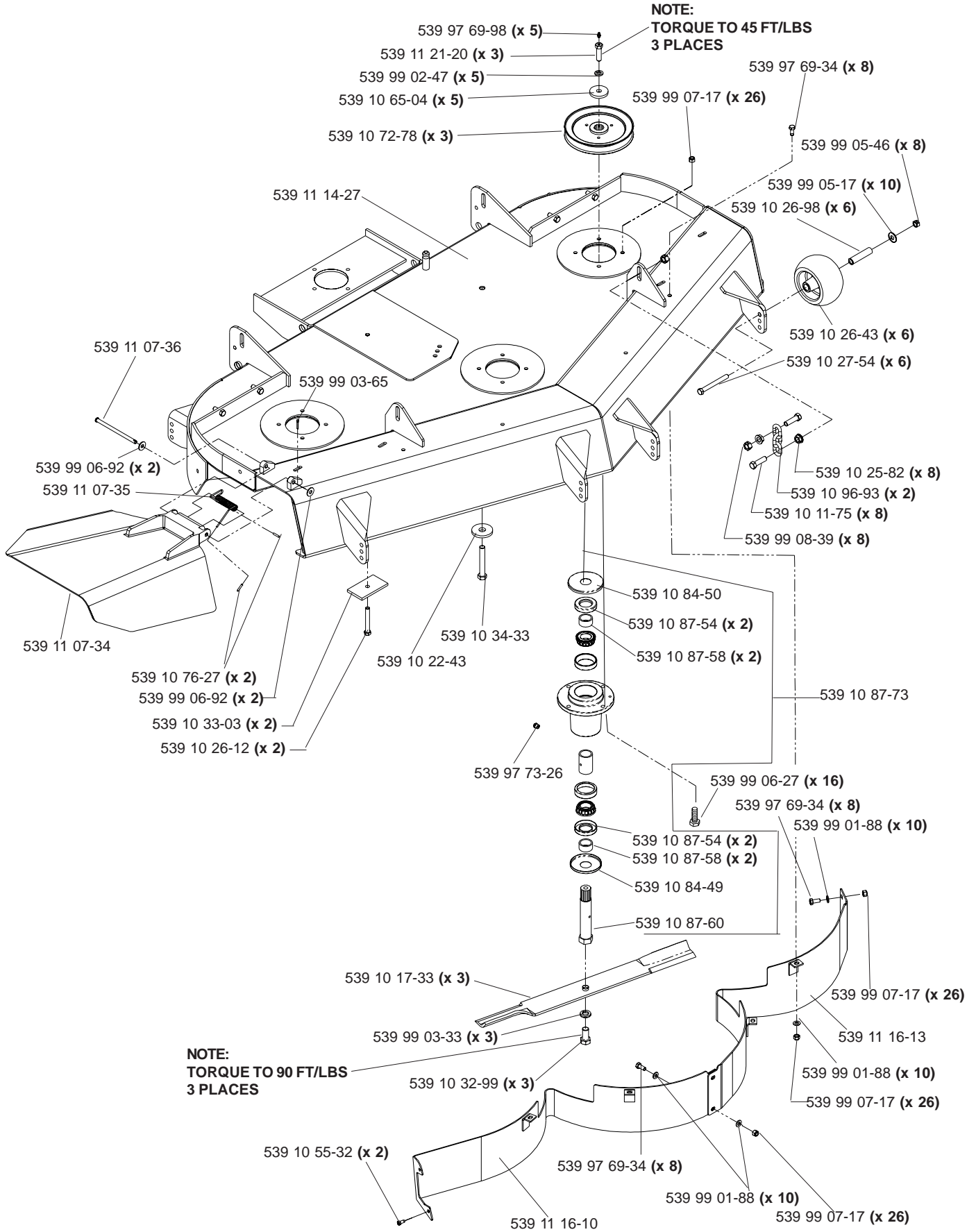
# DECK ASSEMBLY

61 INCH

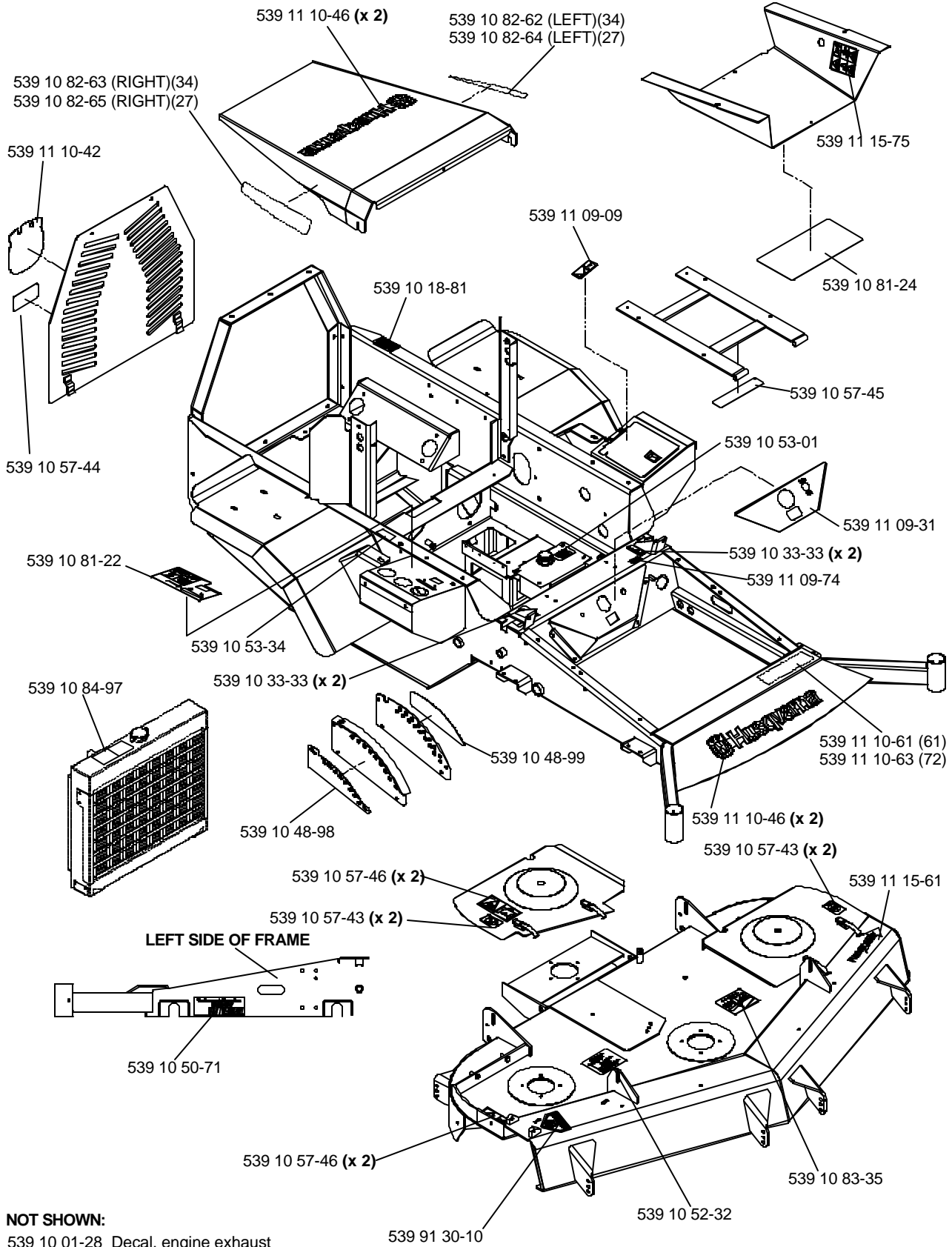


# DECK ASSEMBLY

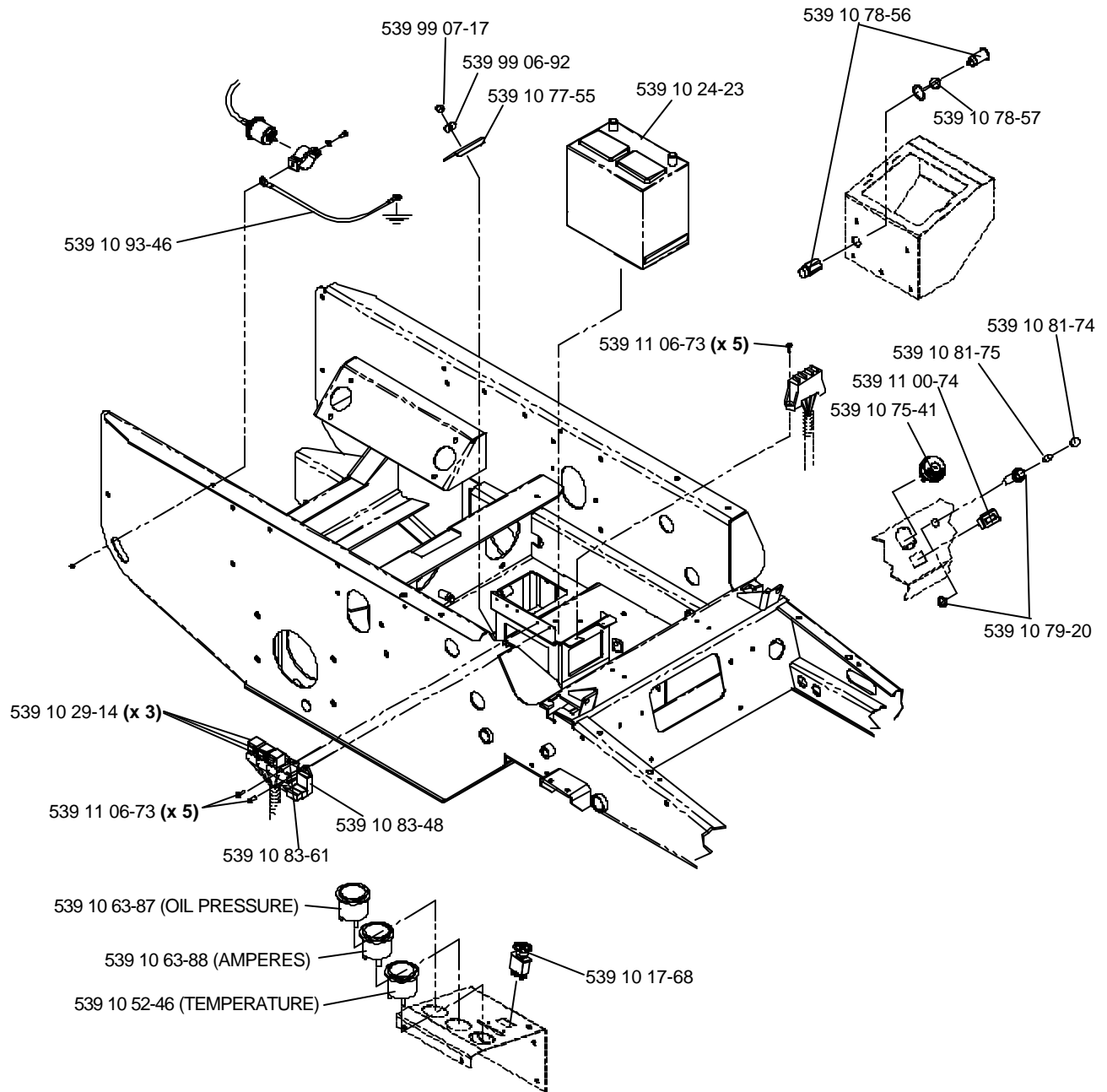
61 INCH



# DECALS



# ELECTRICAL GROUP

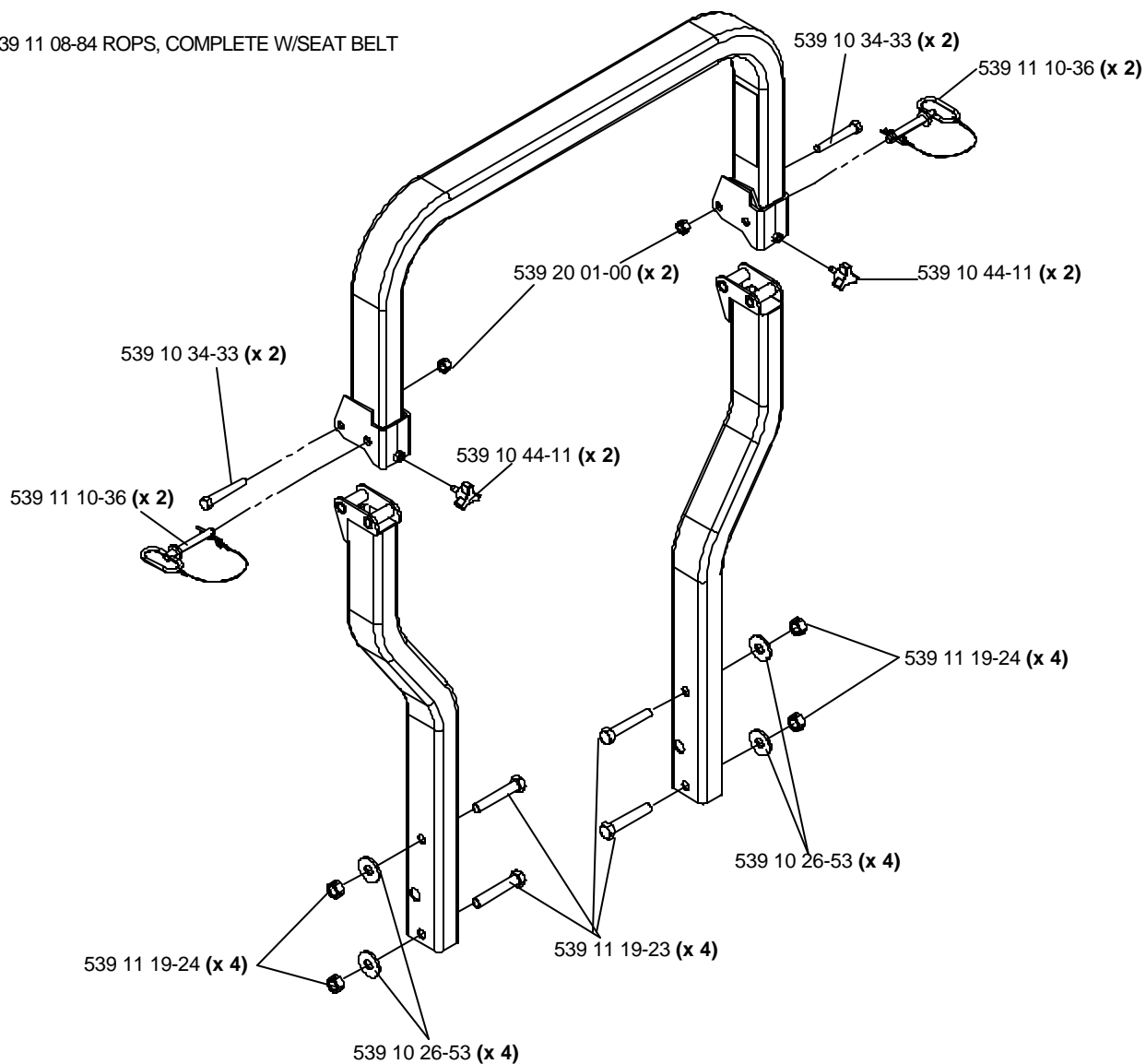


**NOT SHOWN:**

- 539 10 20-86 ..... Fuse, 20 AMP, 32 volts
- 539 10 89-78 (x 2) .... Fuse, 10 AMP, 32 volts
- 539 10 89-79 ..... Fuse, 30 AMP, 32 volts
- 539 10 89-80 ..... Fuse, 50 AMP, 32 volts

# ROPS

539 11 08-84 ROPS, COMPLETE W/SEAT BELT



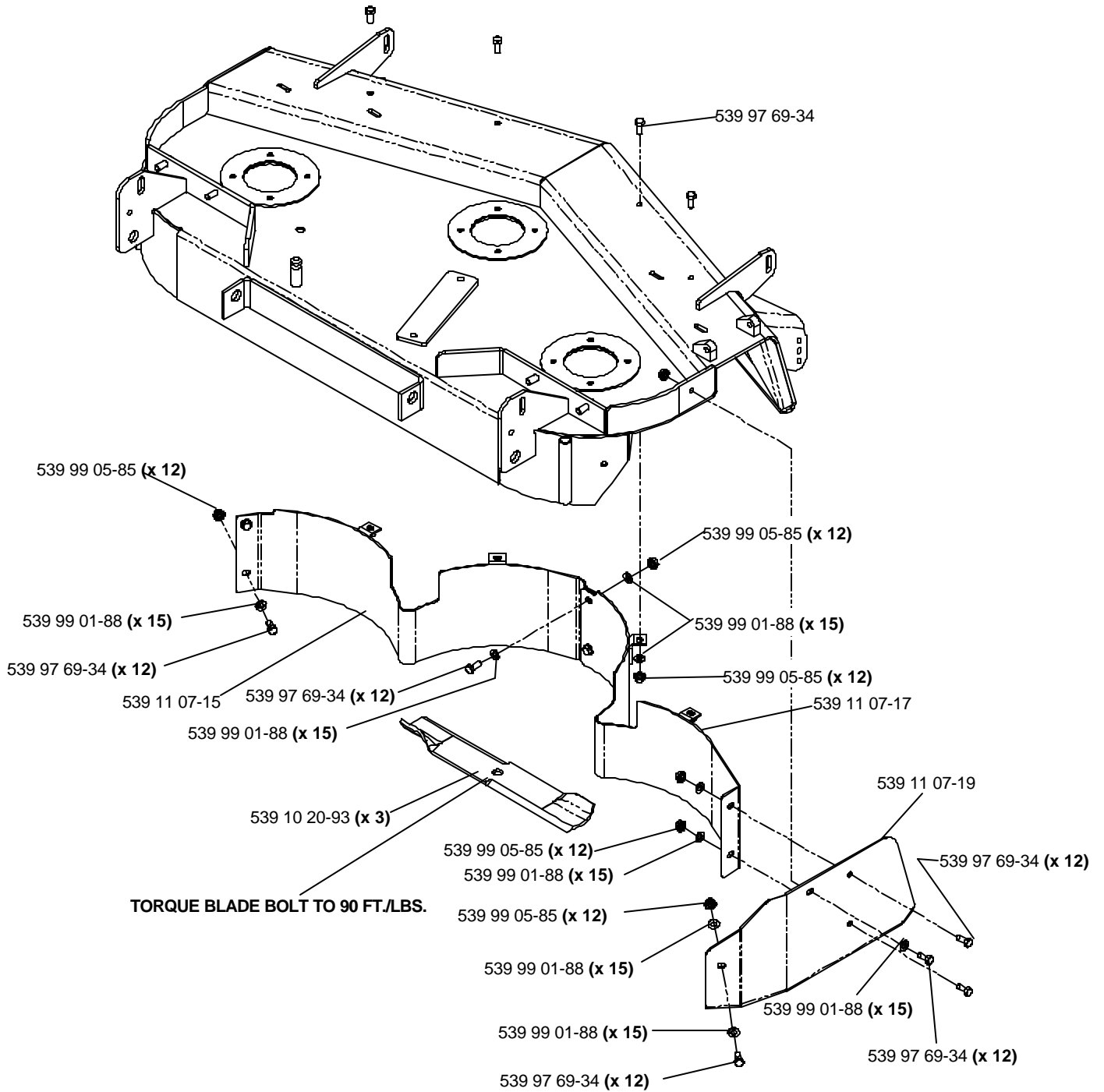


# ACCESSORIES

## MULCH KIT

61" PART NO. 539111353

NOTE: TIGHTEN ALL HARDWARE BY TURNING THE BOLT, NOT THE NUT.



# ACCESSORIES

## FRONT Baffle KITS 61" PART NO. 539111634

