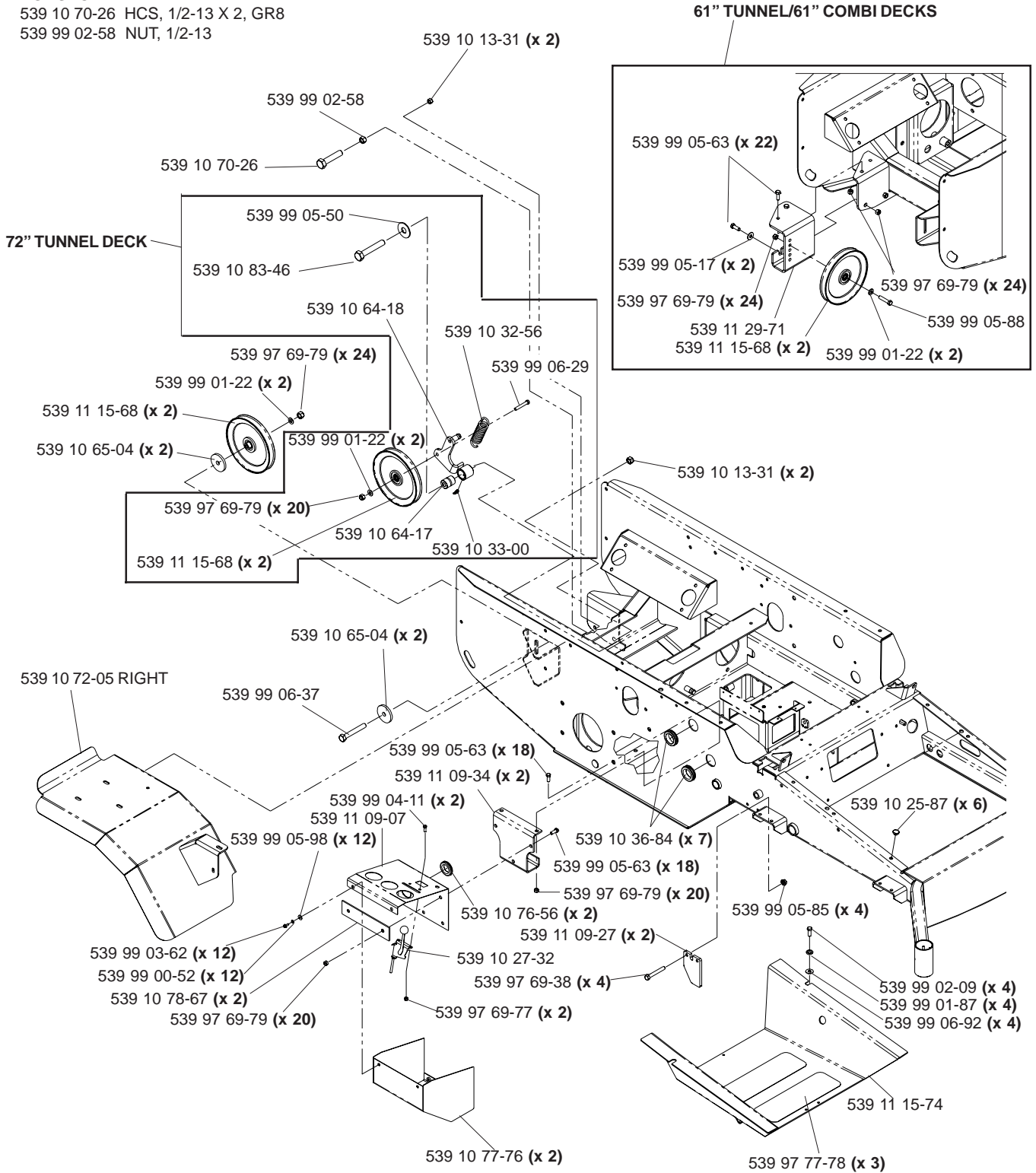


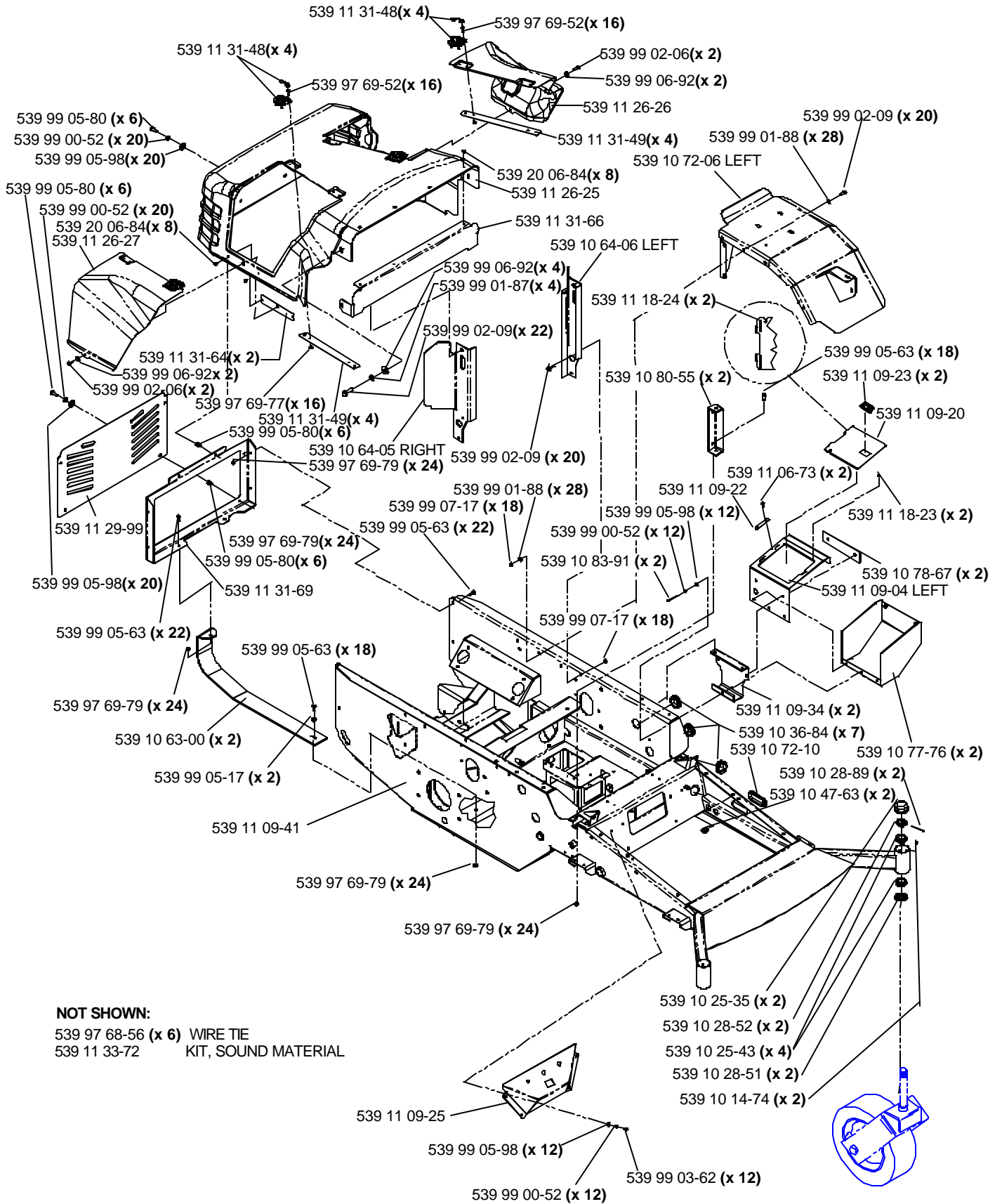
# MAIN FRAME ASSEMBLY

**NOT SHOWN:**

- 539 10 70-26 HCS, 1/2-13 X 2, GR8
- 539 99 02-58 NUT, 1/2-13

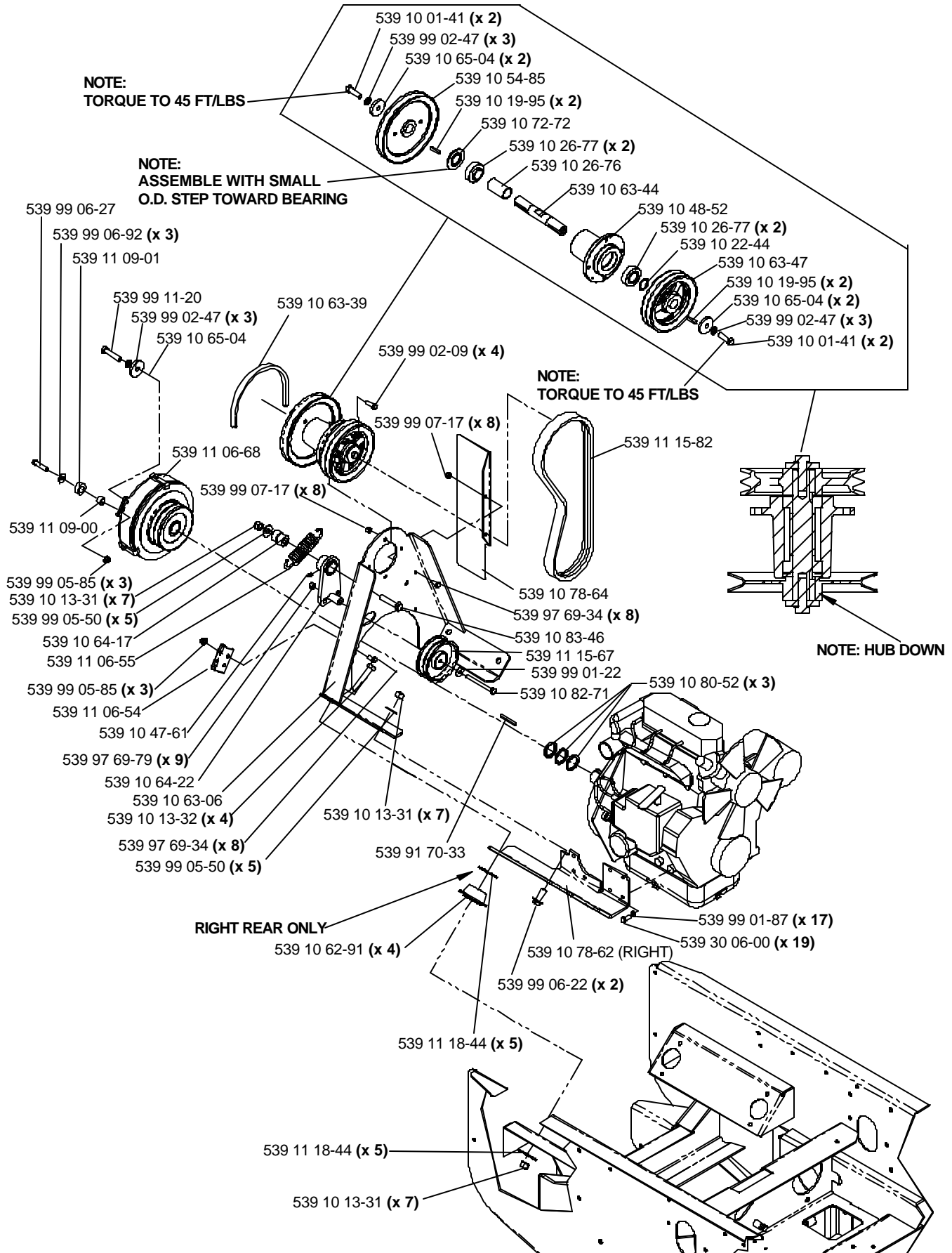


# MAIN FRAME ASSEMBLY



# ENGINE ASSEMBLY

## 27 H.P.



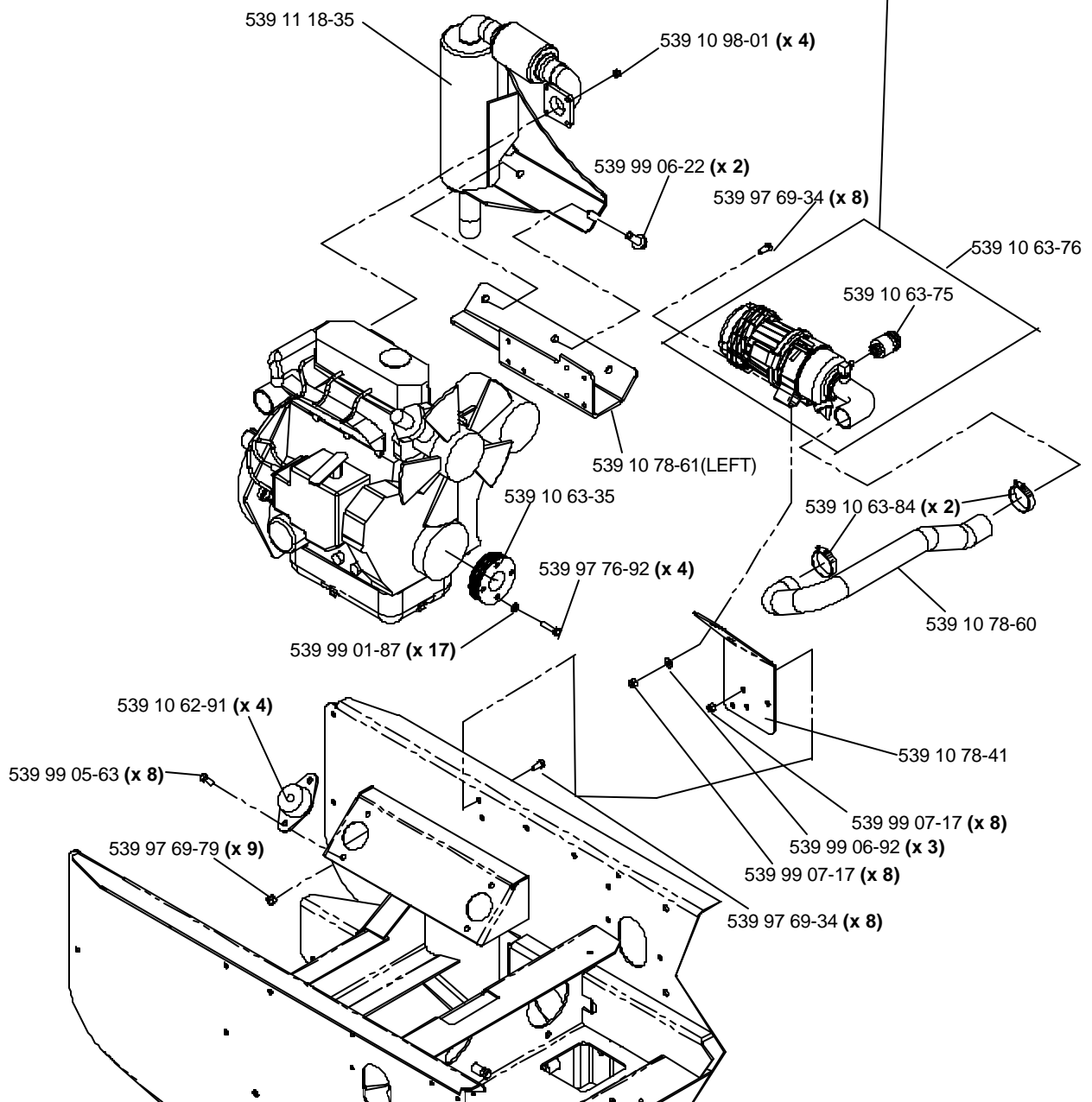
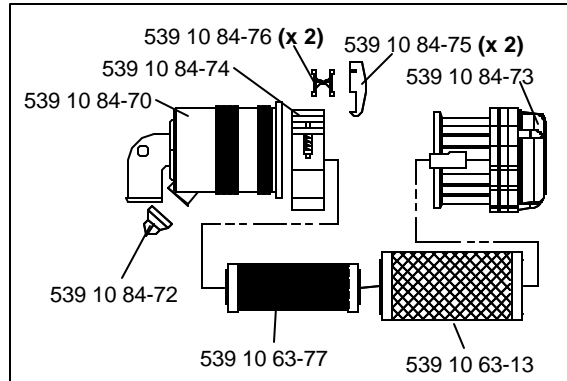
# ENGINE ASSEMBLY

27 H.P.

**NOT SHOWN:**

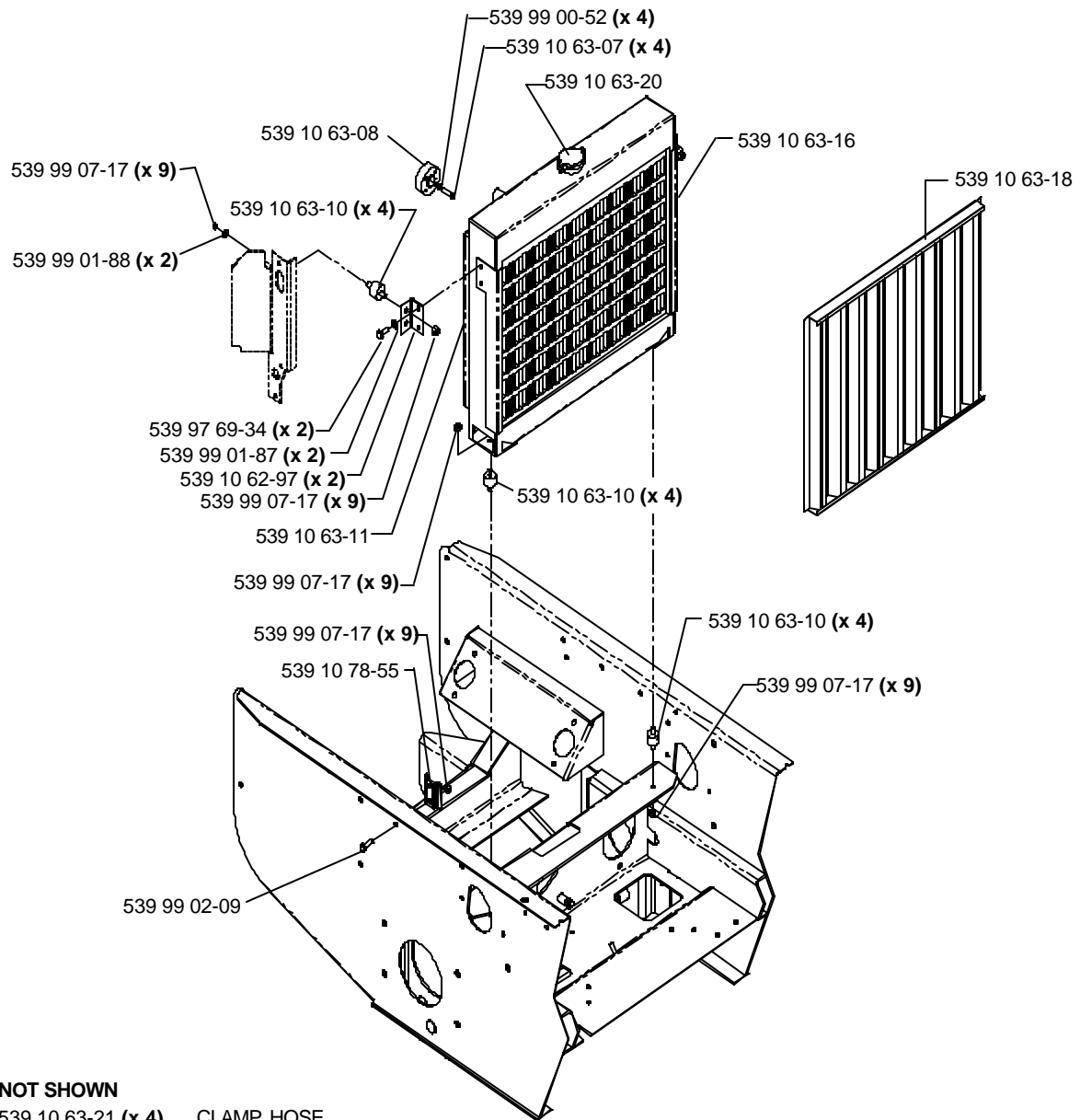
539 10 63-27 Stub shaft

539 10 91-77 Manifold gasket



# RADIATOR

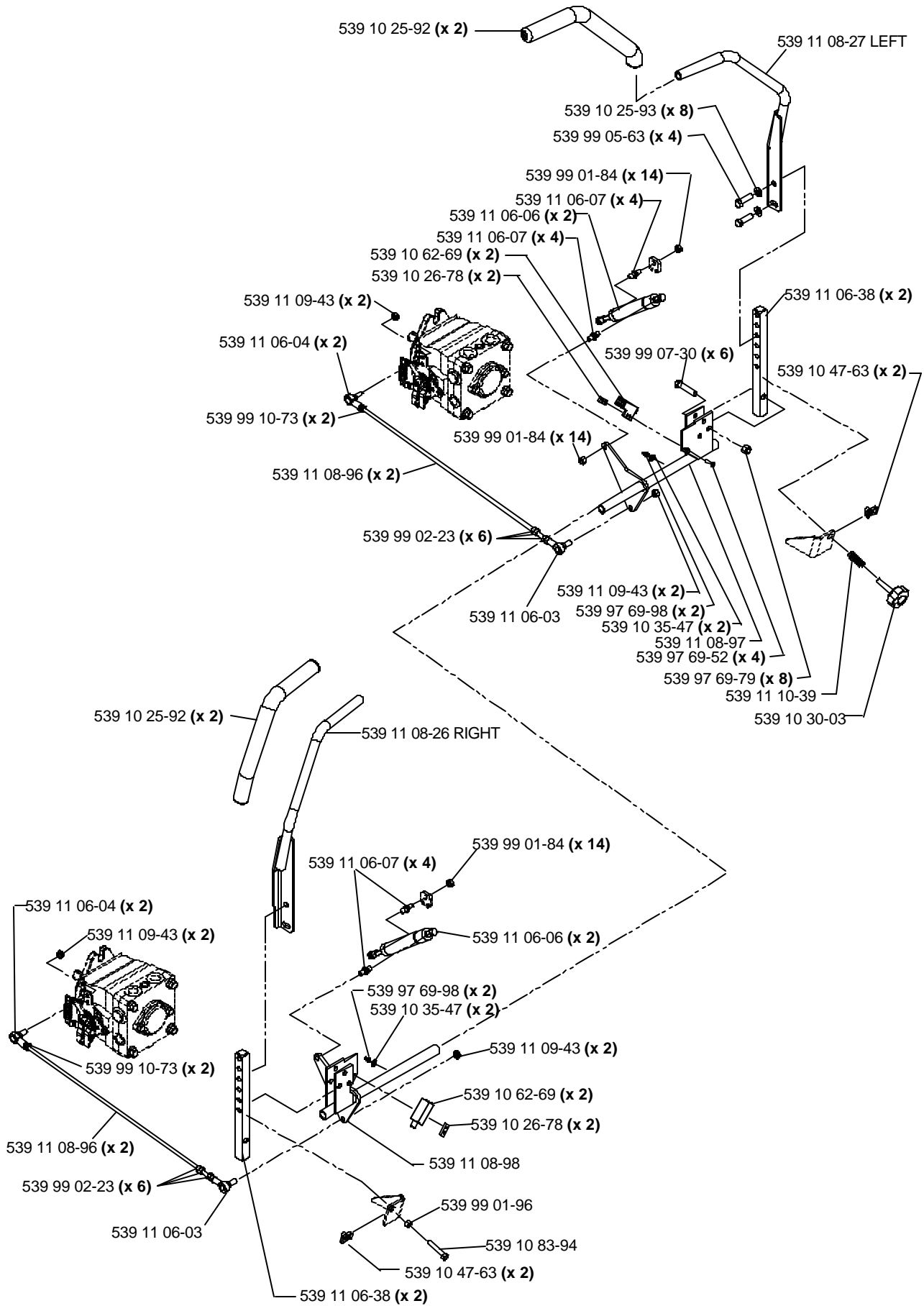
## 27 H.P.



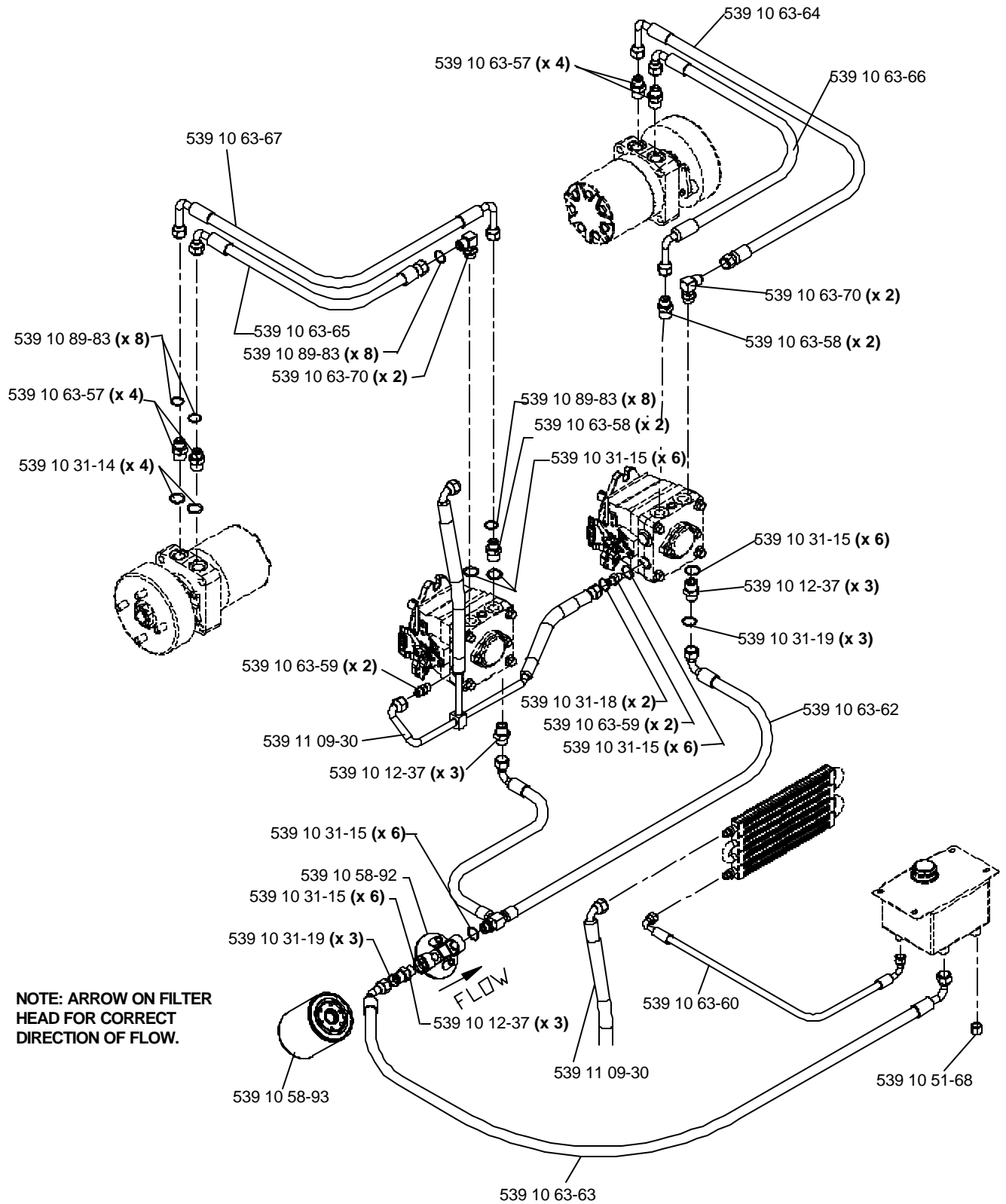
**NOT SHOWN**

- 539 10 63-21 (x 4) .... CLAMP, HOSE
- 539 10 63-26 ..... HOSE, LOWER
- 539 10 63-25 ..... HOSE, UPPER
- 539 10 64-02 ..... OVERFLOW RESERVOIR
- 539 10 63-22 (x 2) .... DRAIN, RADIATOR

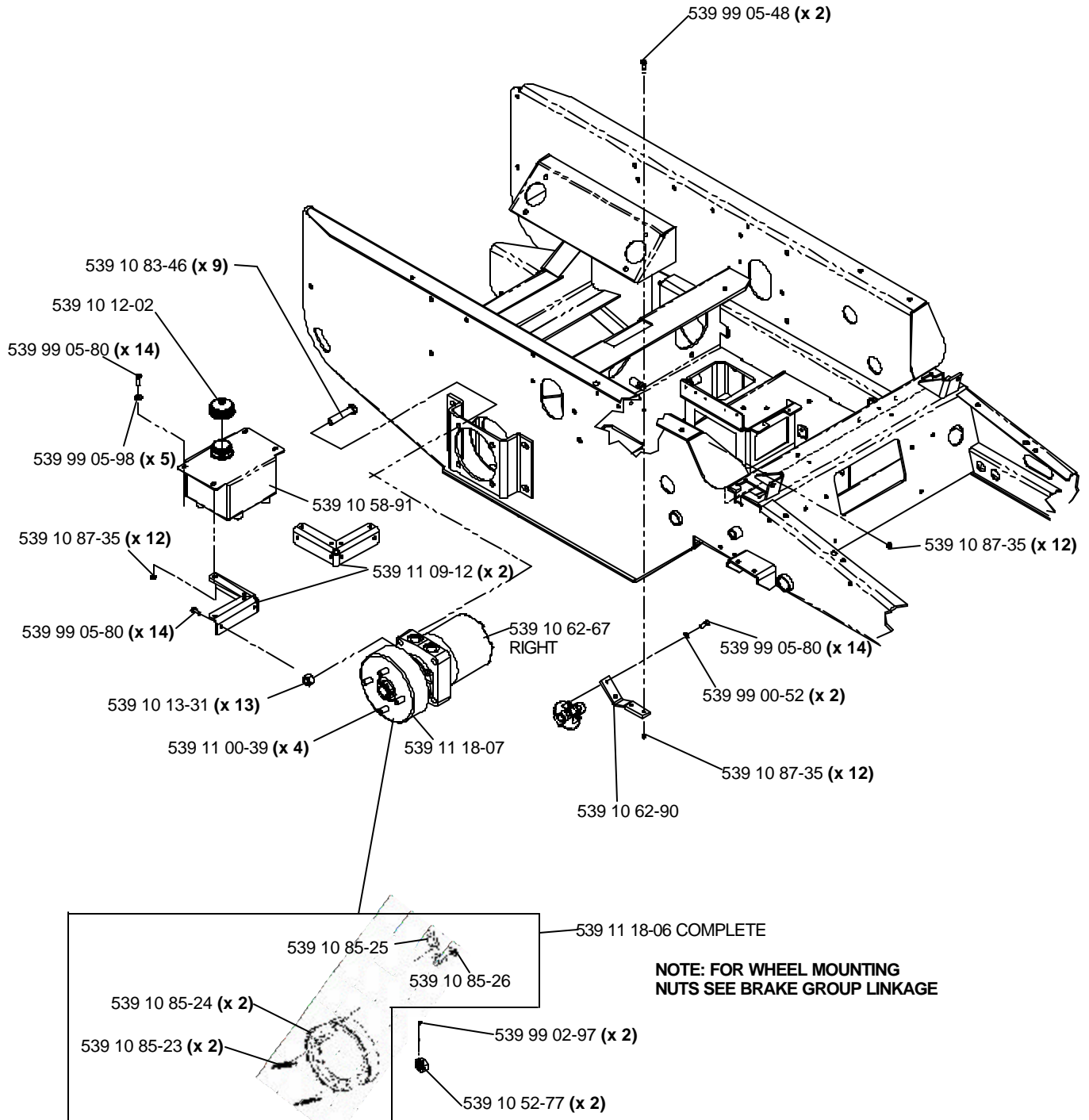
# MOTION CONTROL



# HYDRAULIC HOSES AND FITTINGS

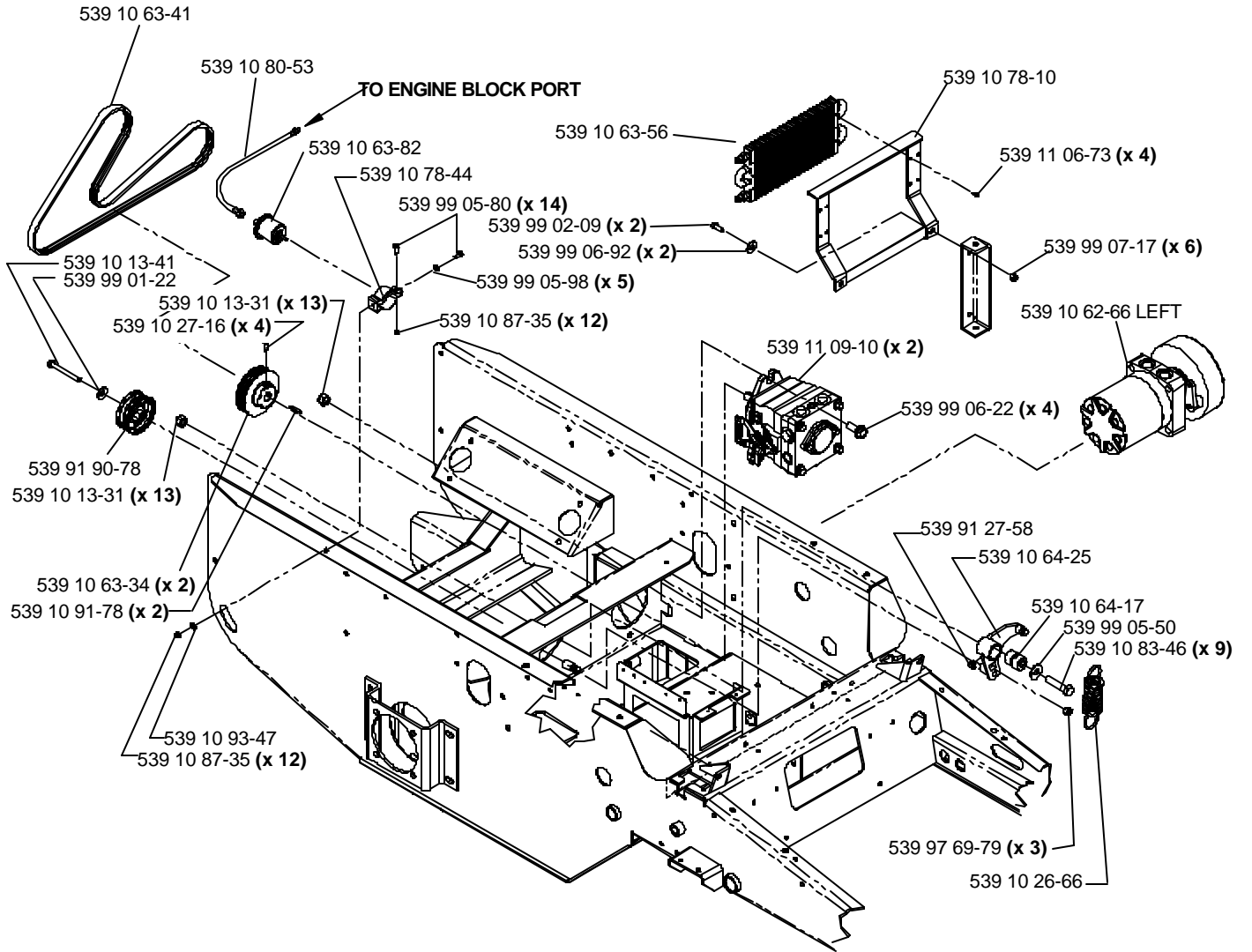


# HYDRAULIC ASSEMBLY

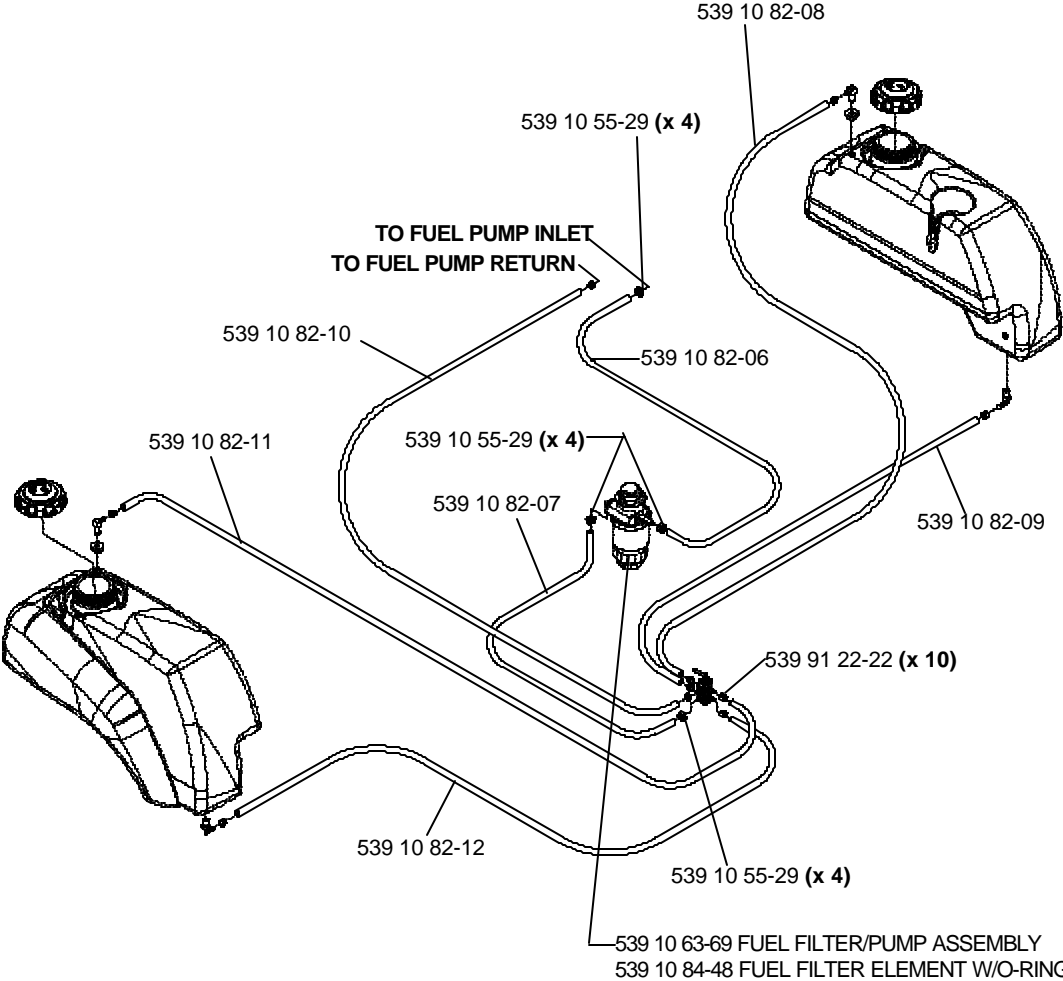




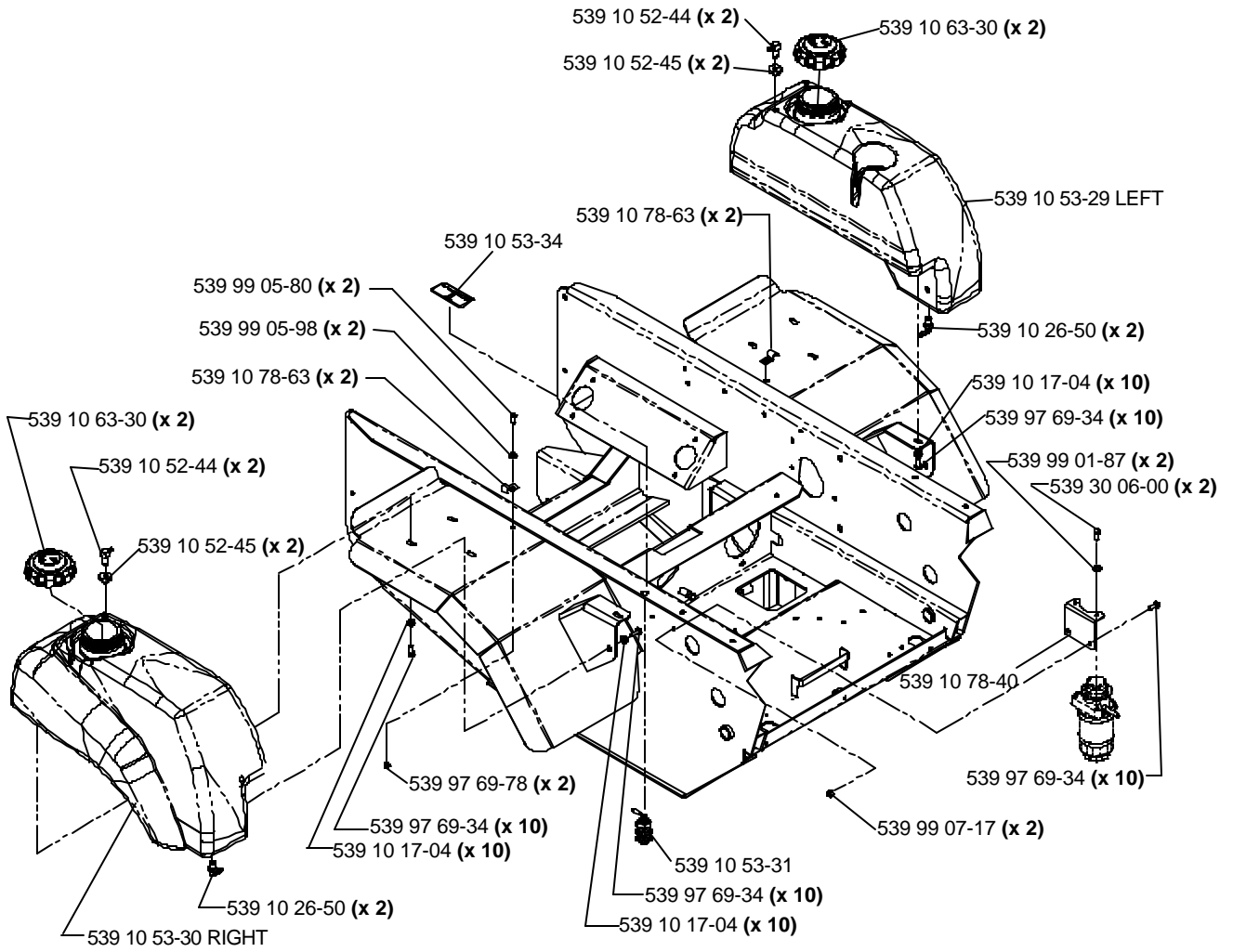
# HYDRAULIC ASSEMBLY



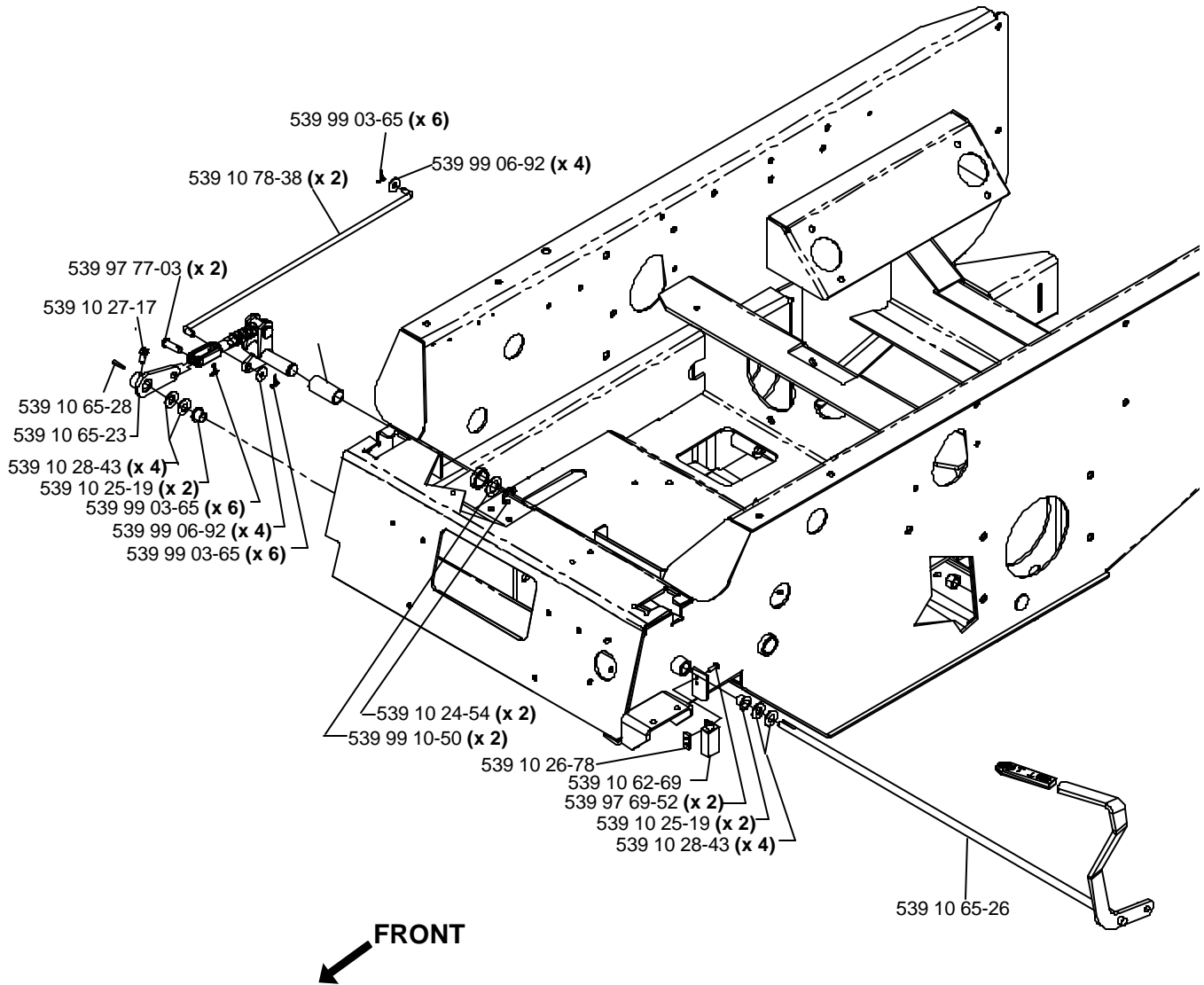
# FUEL GROUP



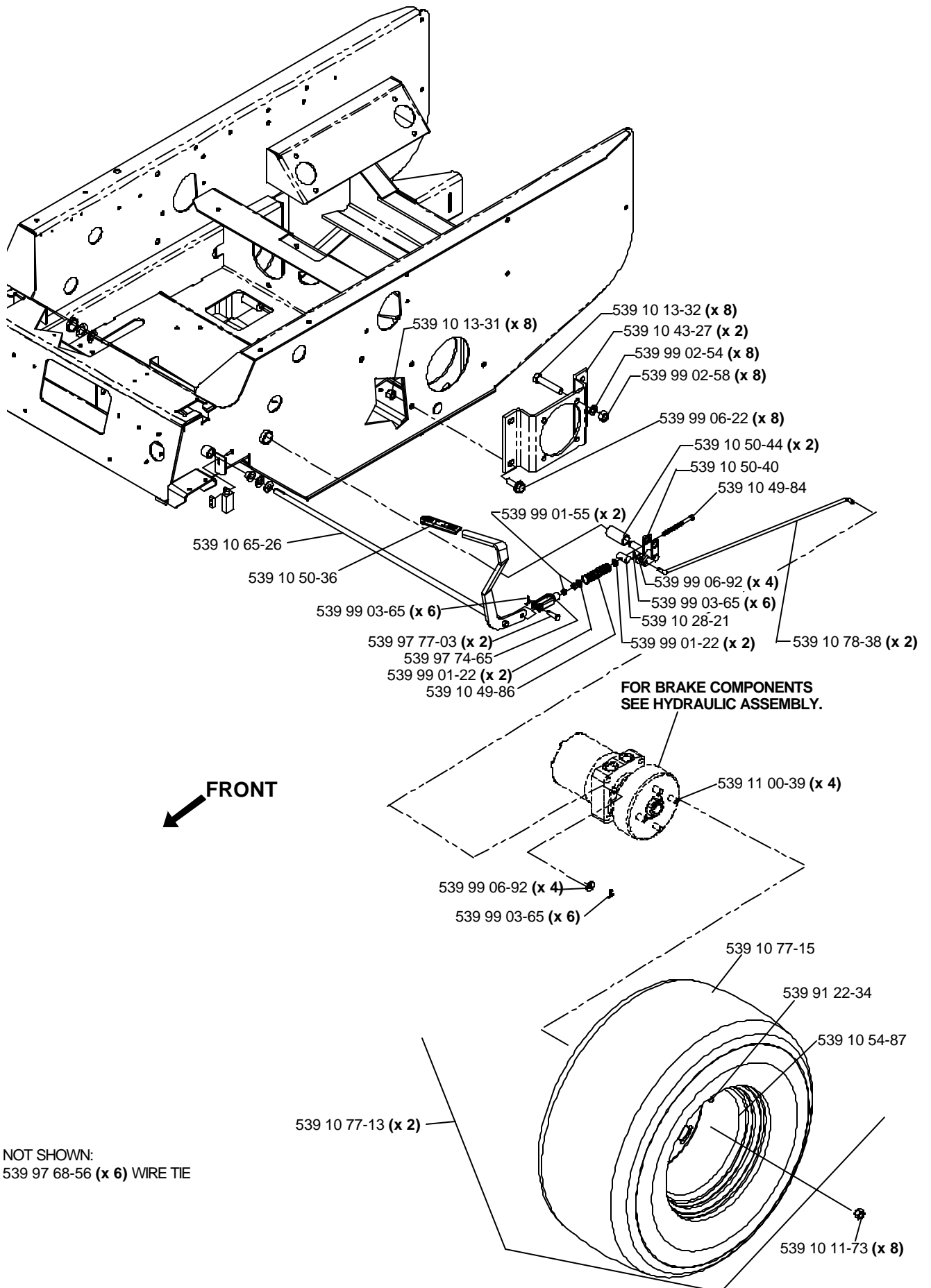
# FUEL GROUP



# BRAKE GROUP LINKAGE



# BRAKE GROUP LINKAGE

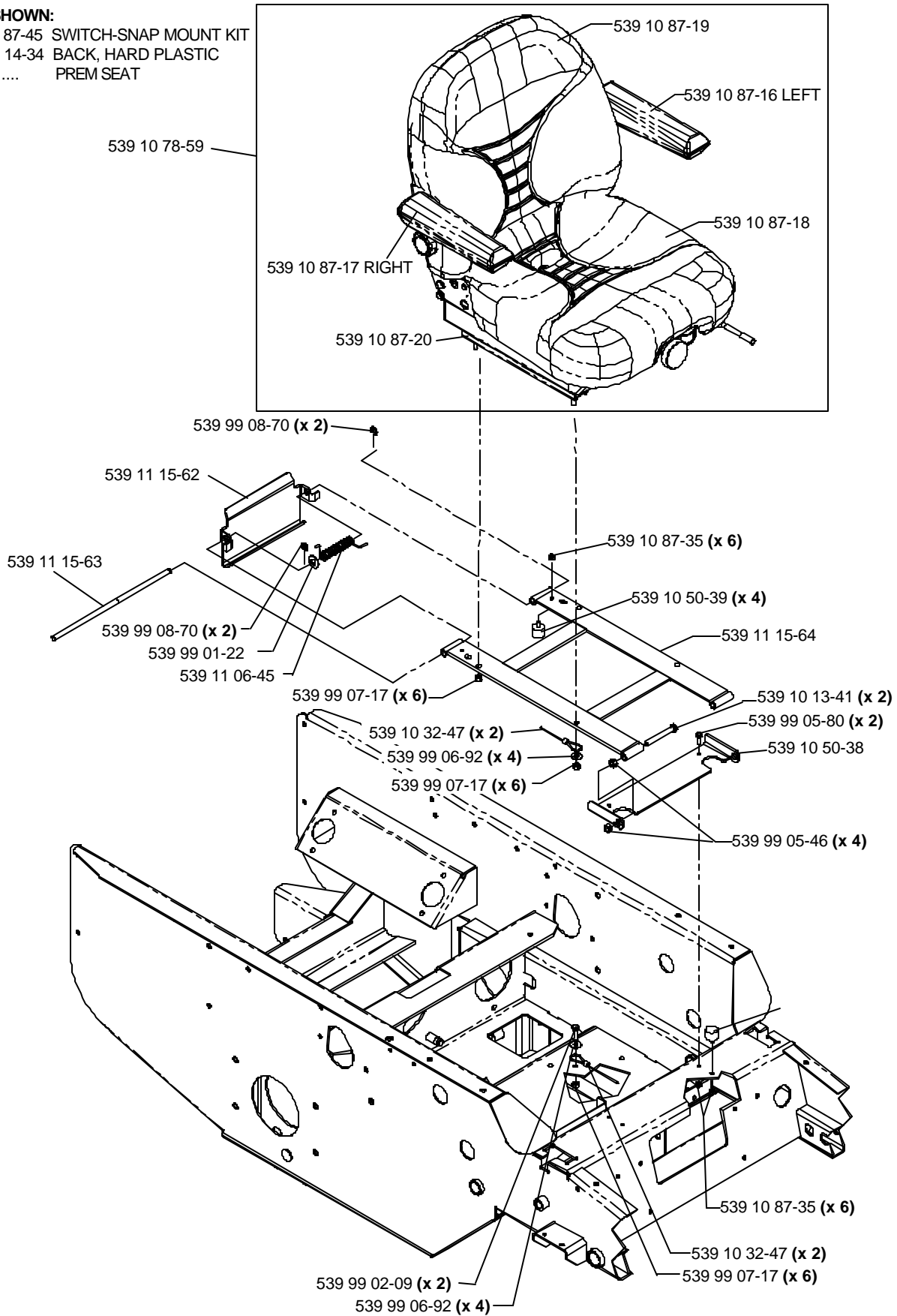


NOT SHOWN:  
539 97 68-56 (x 6) WIRE TIE

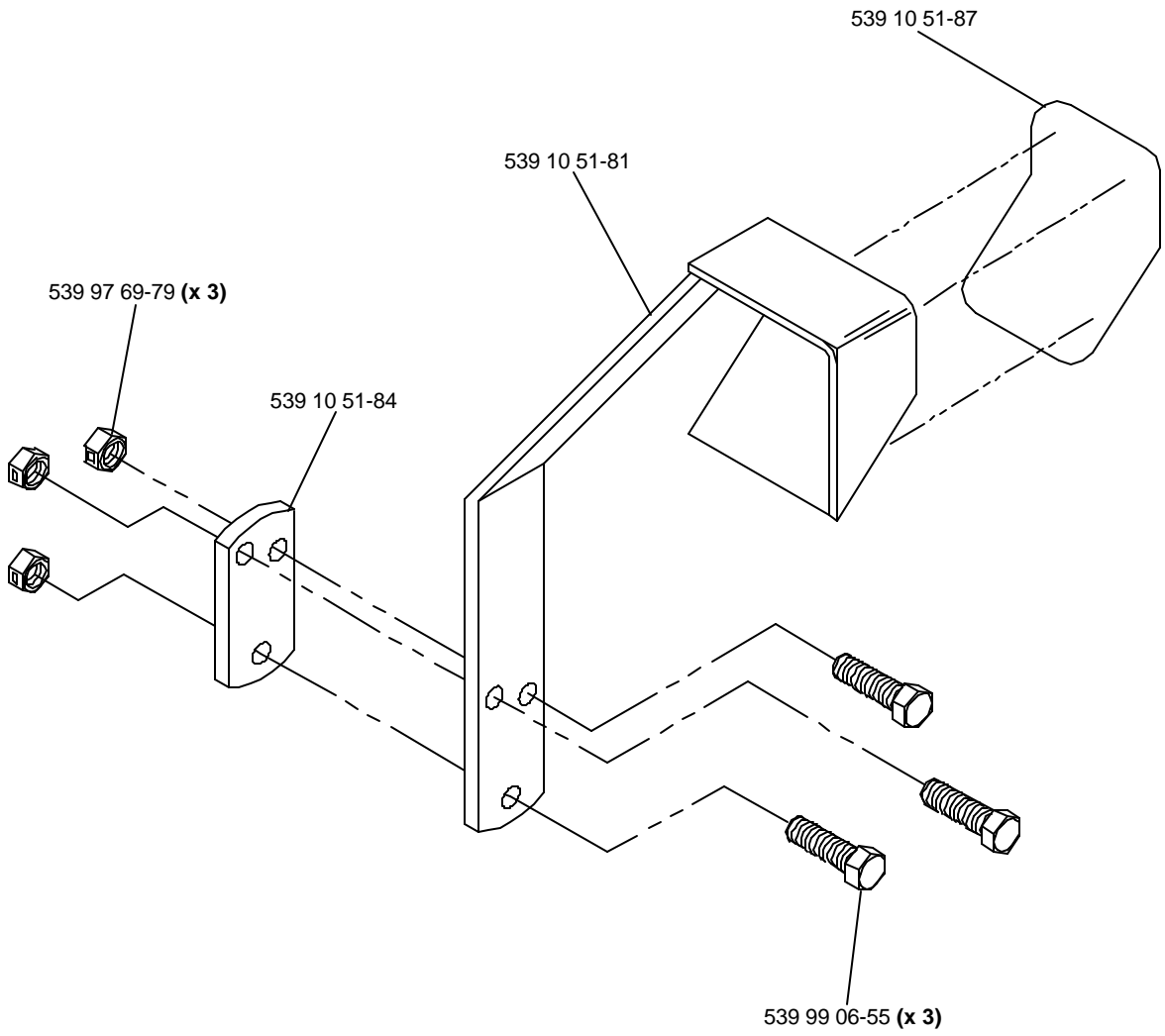
# SEAT ASSEMBLY

**NOT SHOWN:**

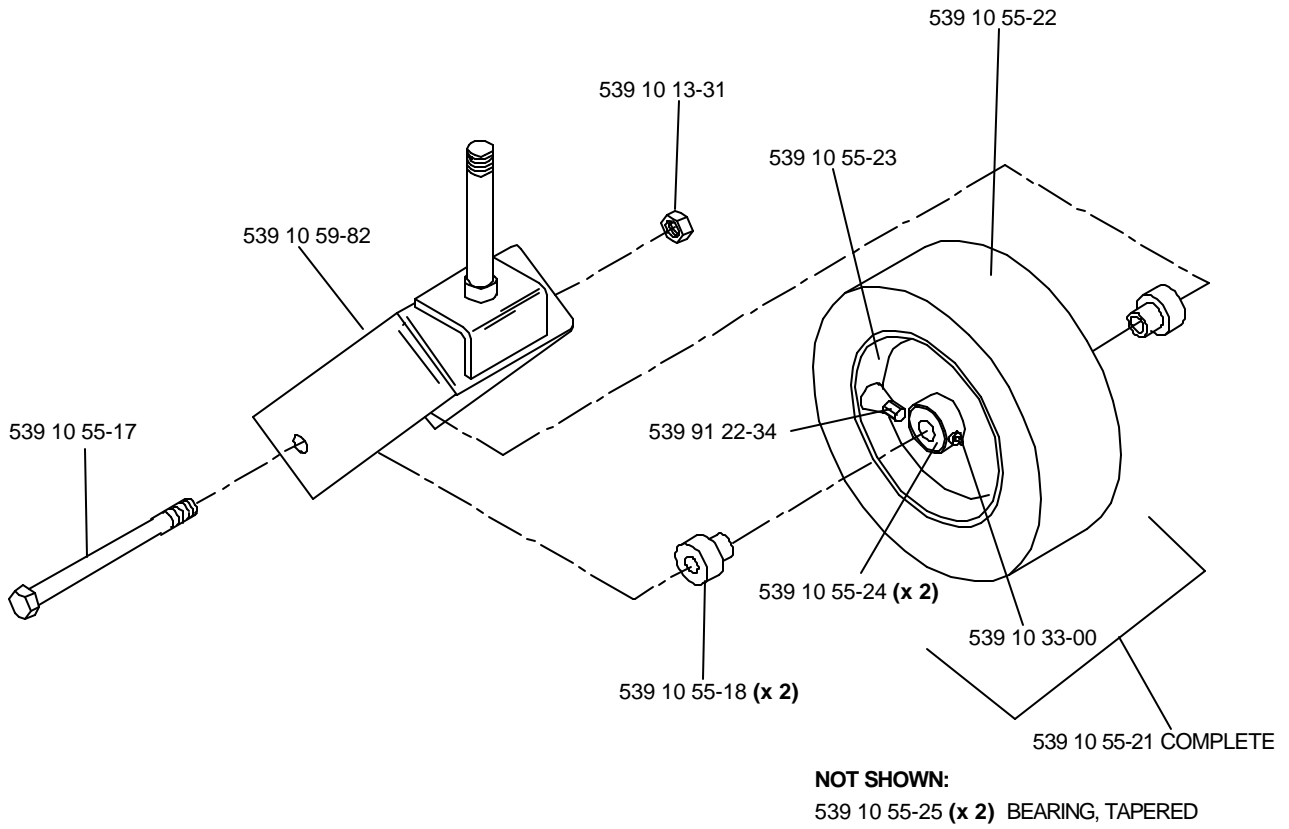
- 539 10 87-45 SWITCH-SNAP MOUNT KIT
- 539 11 14-34 BACK, HARD PLASTIC
- ..... PREM SEAT



# FOOT PEDAL



# CASTER ASSEMBLY

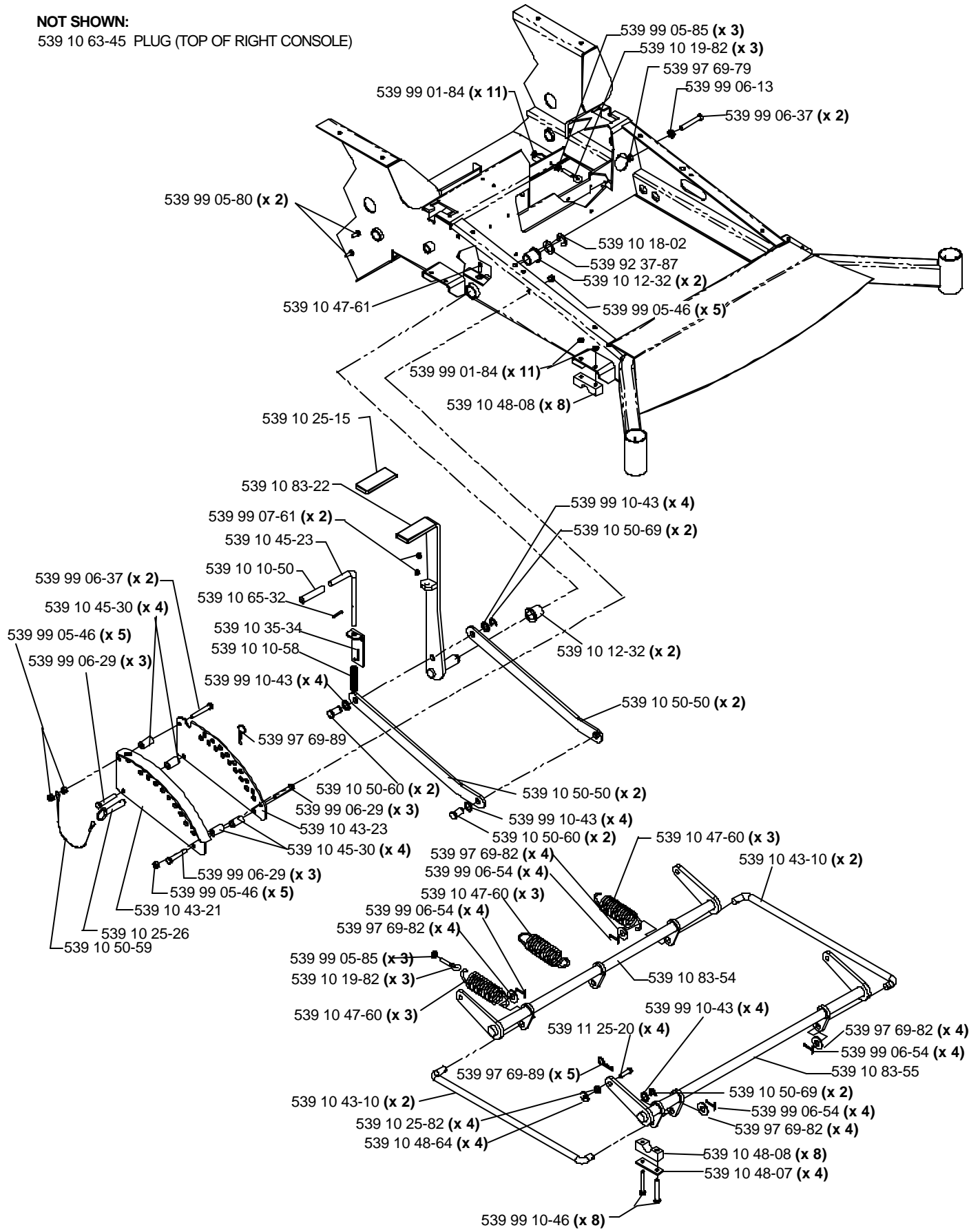




# DECK LIFT MANUAL

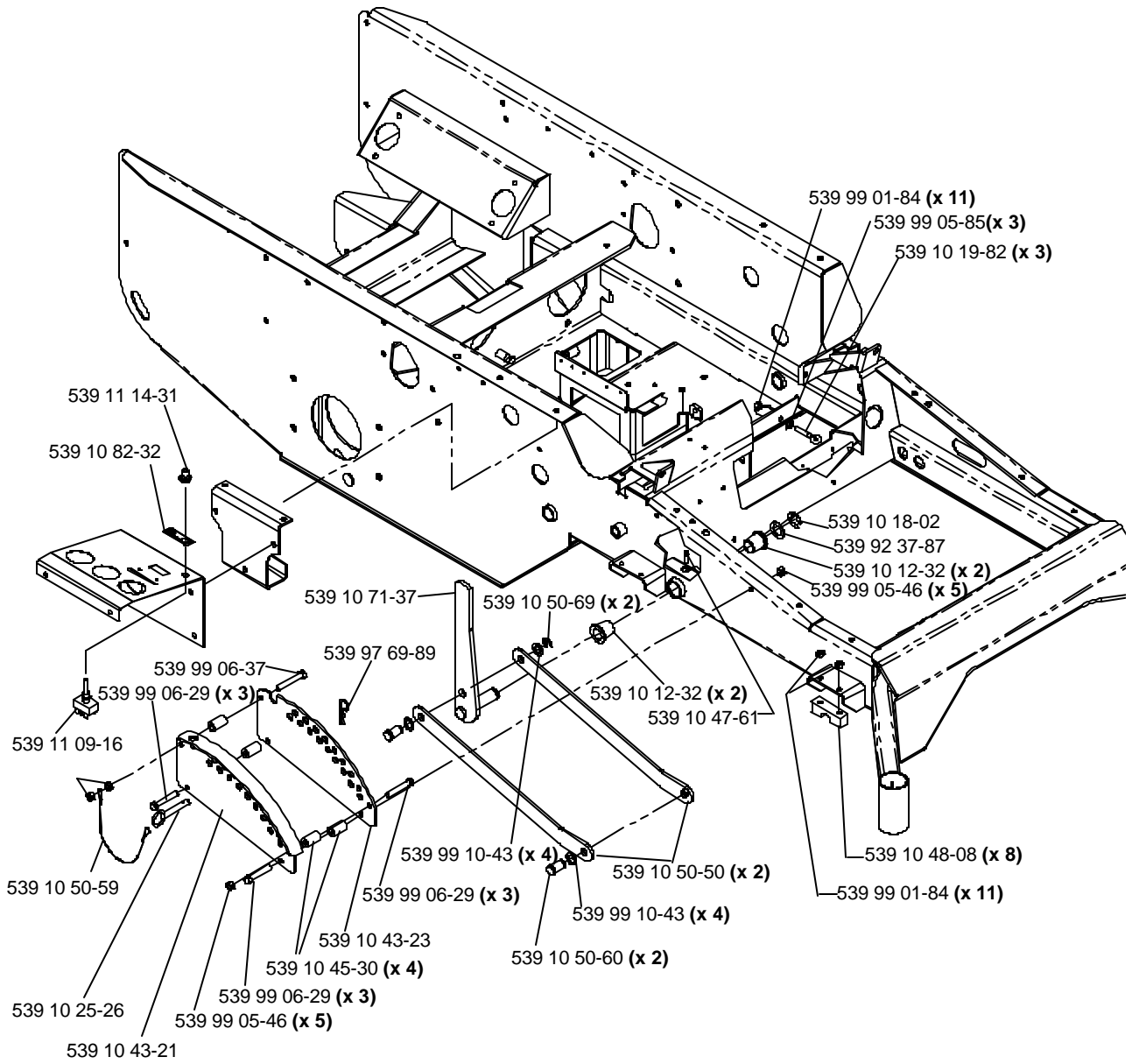
## NOT SHOWN:

539 10 63-45 PLUG (TOP OF RIGHT CONSOLE)



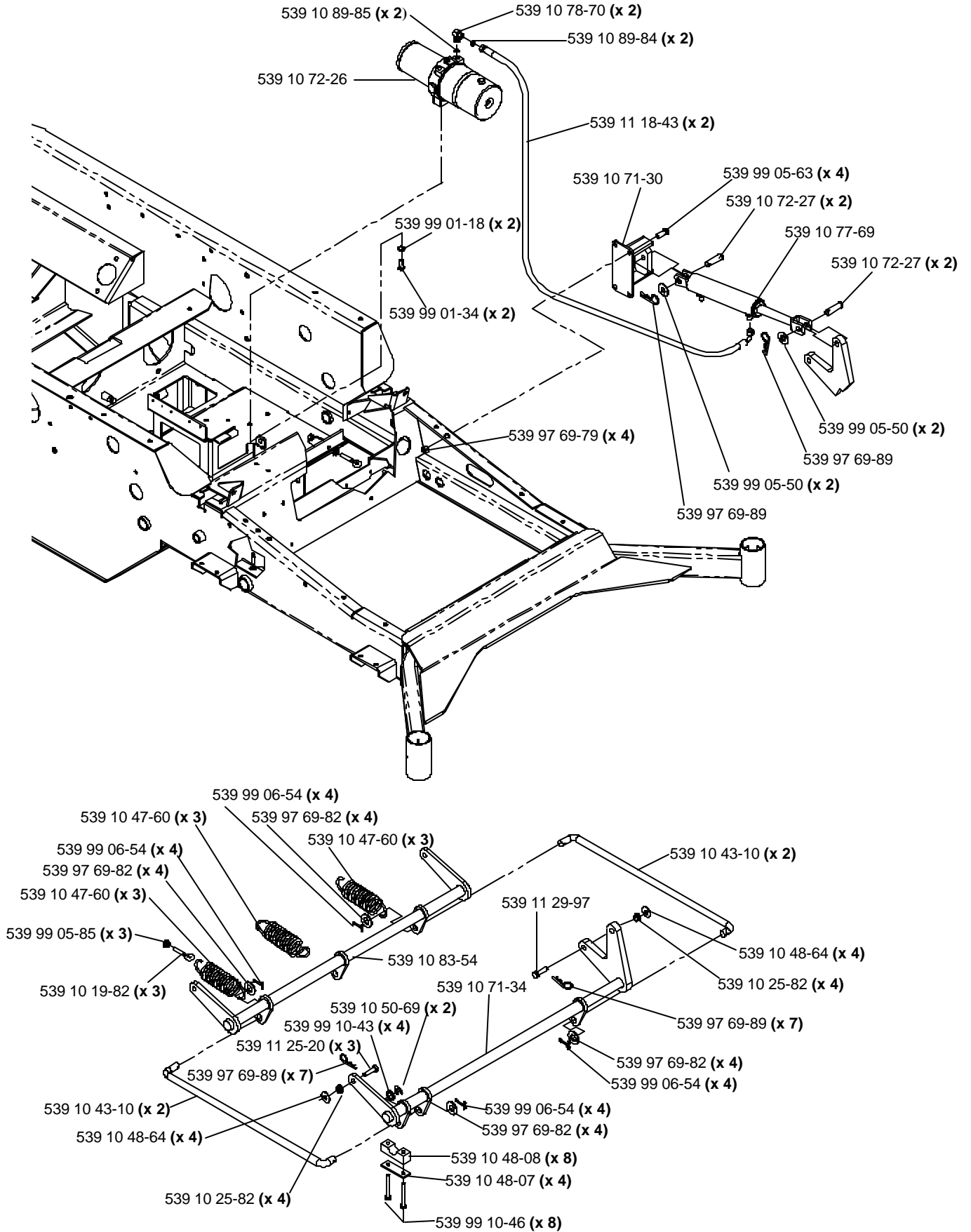
# DECK LIFT

## POWER



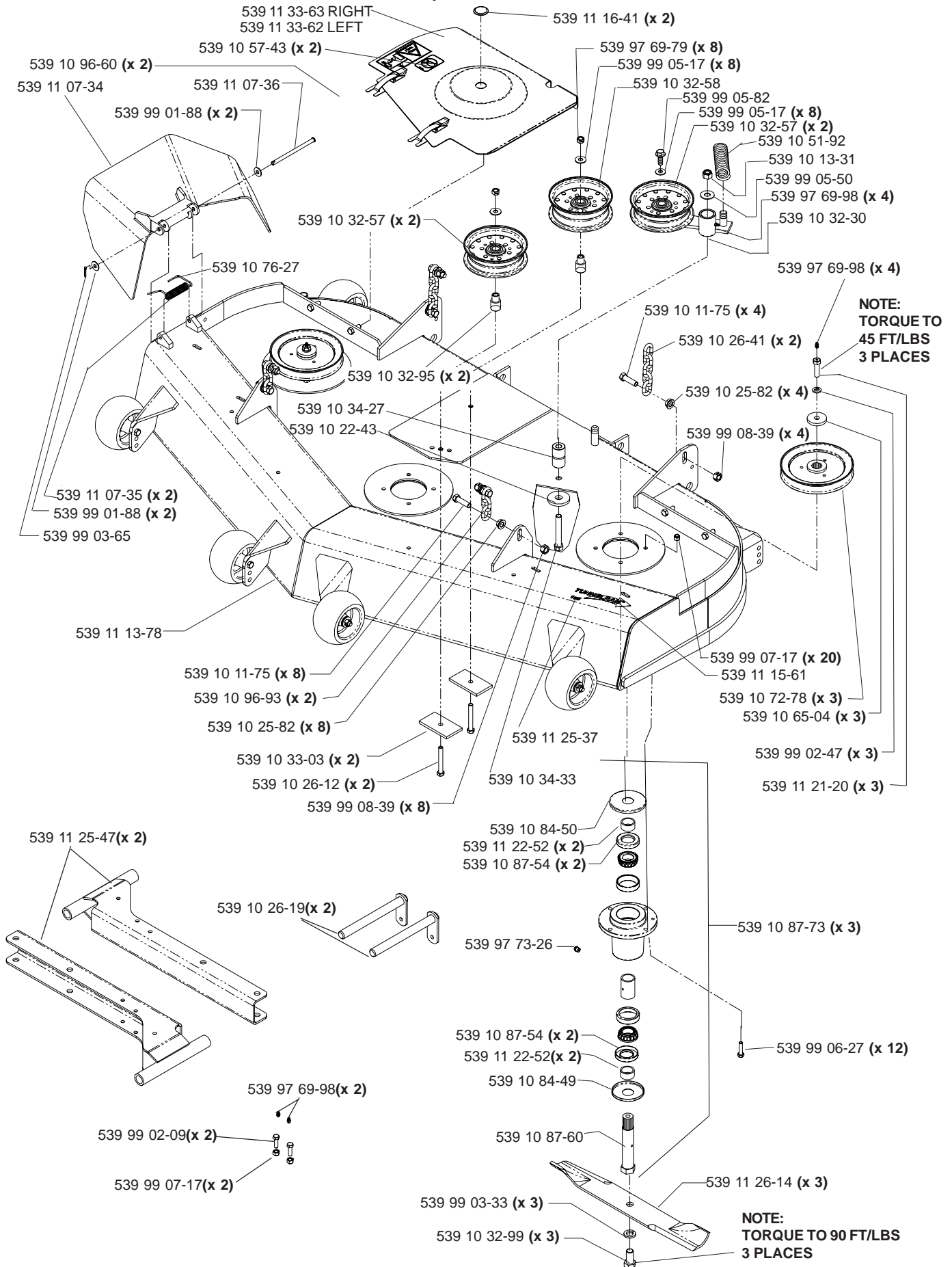
# DECK LIFT

## POWER



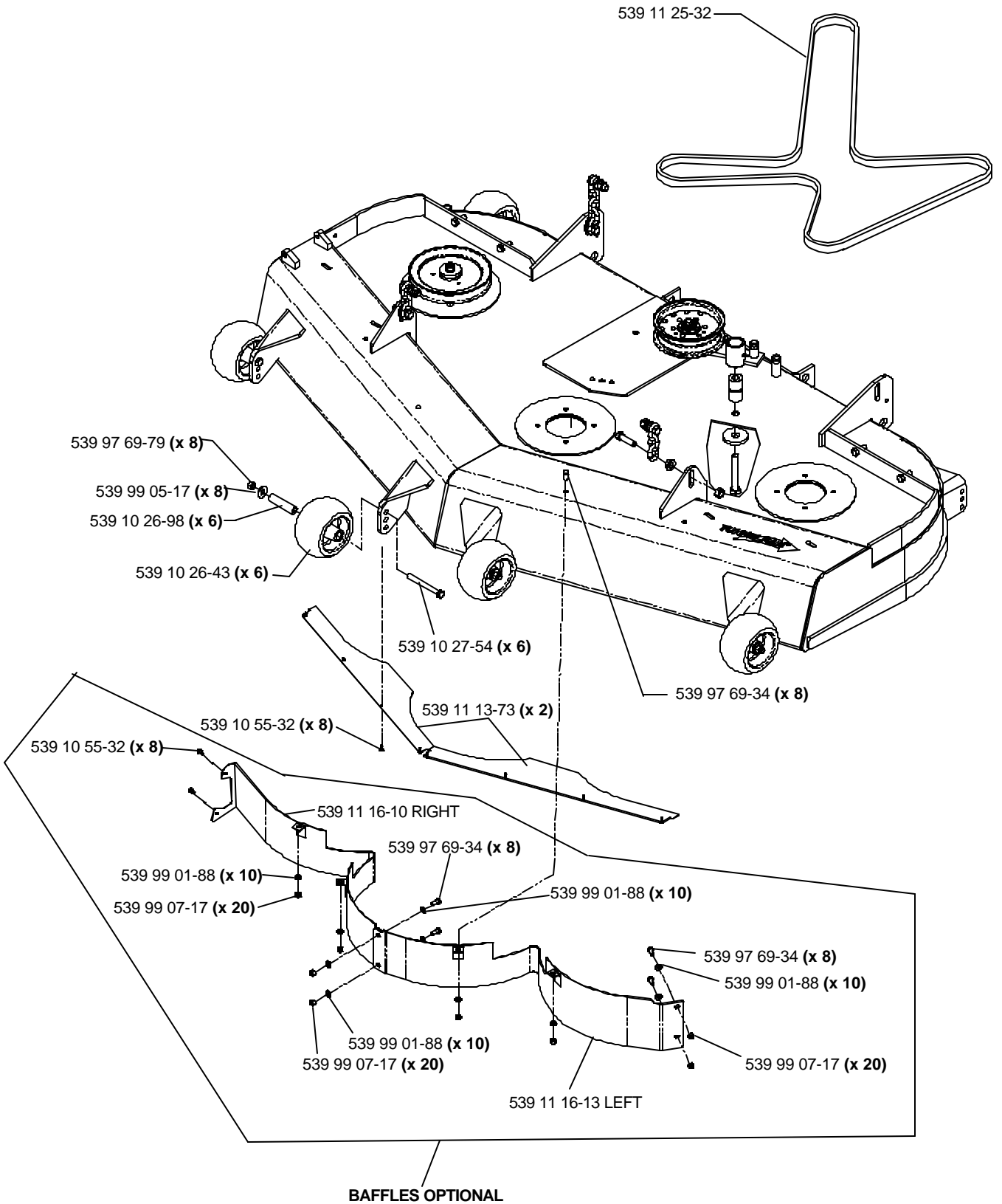
# DECK ASSEMBLY

## 968999345, TRD61B - 61 INCH



# DECK ASSEMBLY

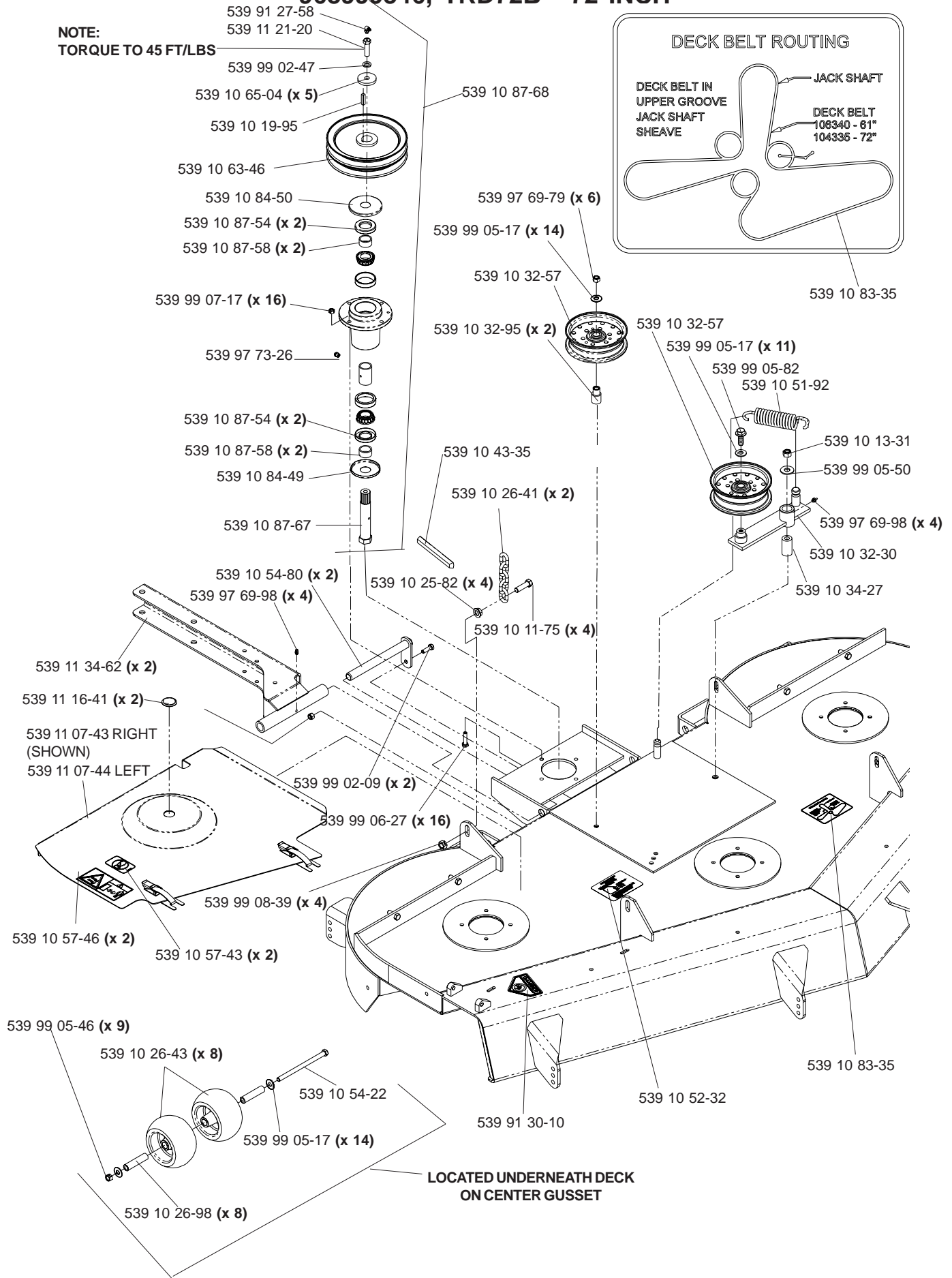
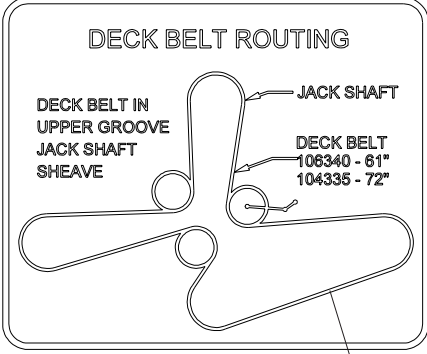
## 968999345, TRD61B - 61 INCH



# DECK ASSEMBLY

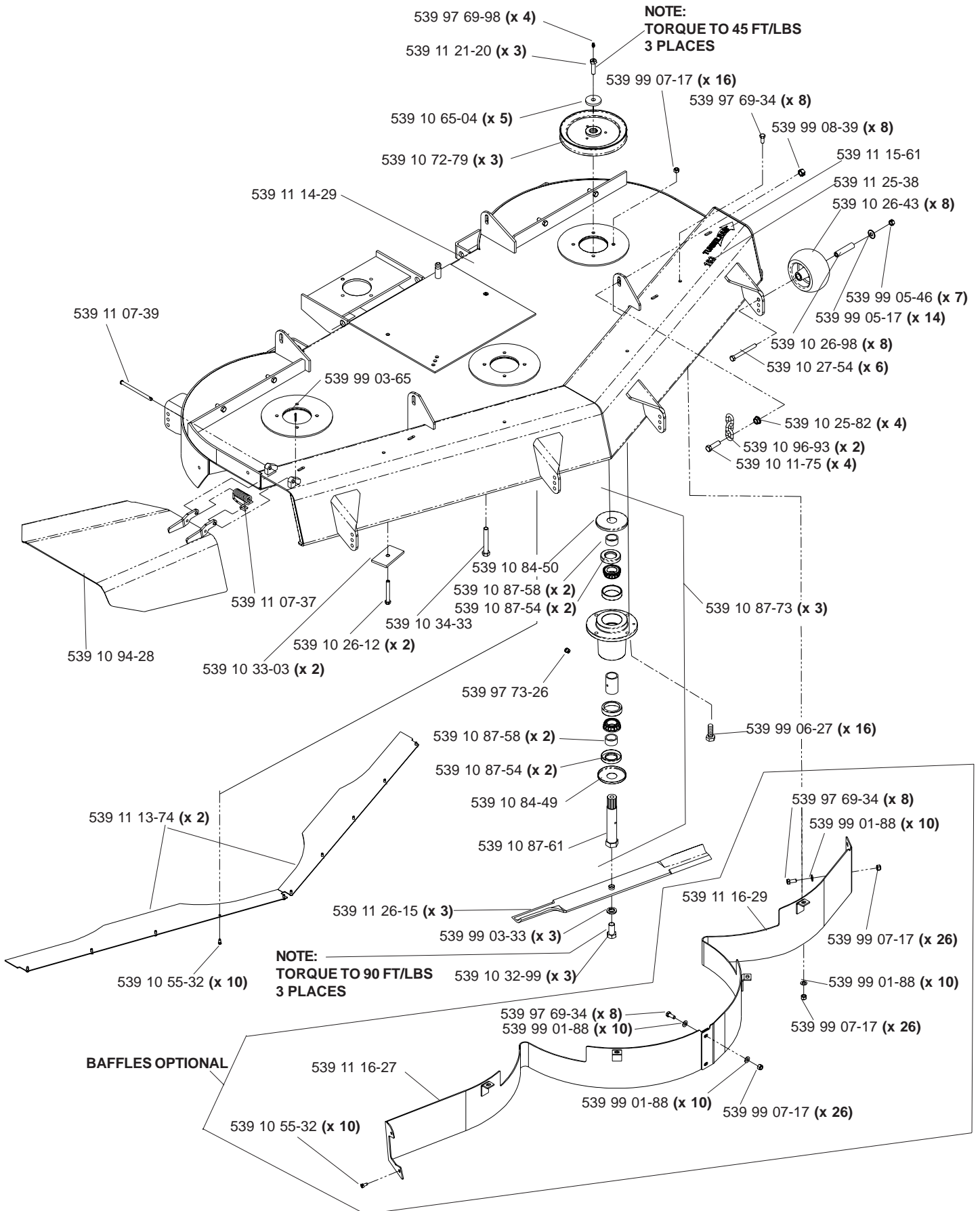
## 968999346, TRD72B - 72 INCH

**NOTE:**  
TORQUE TO 45 FT/LBS



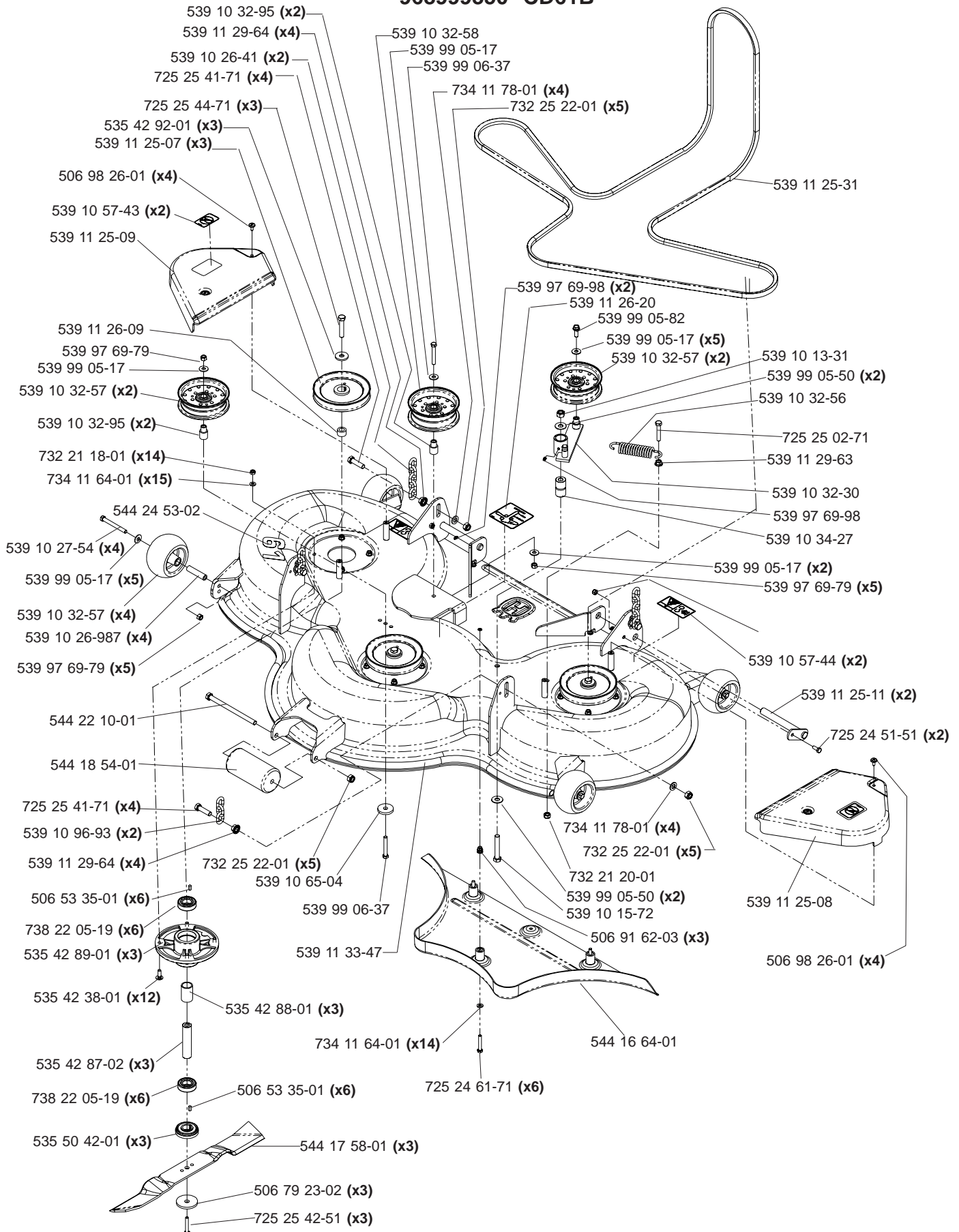
# DECK ASSEMBLY

## 968999346, TRD72B - 72 INCH



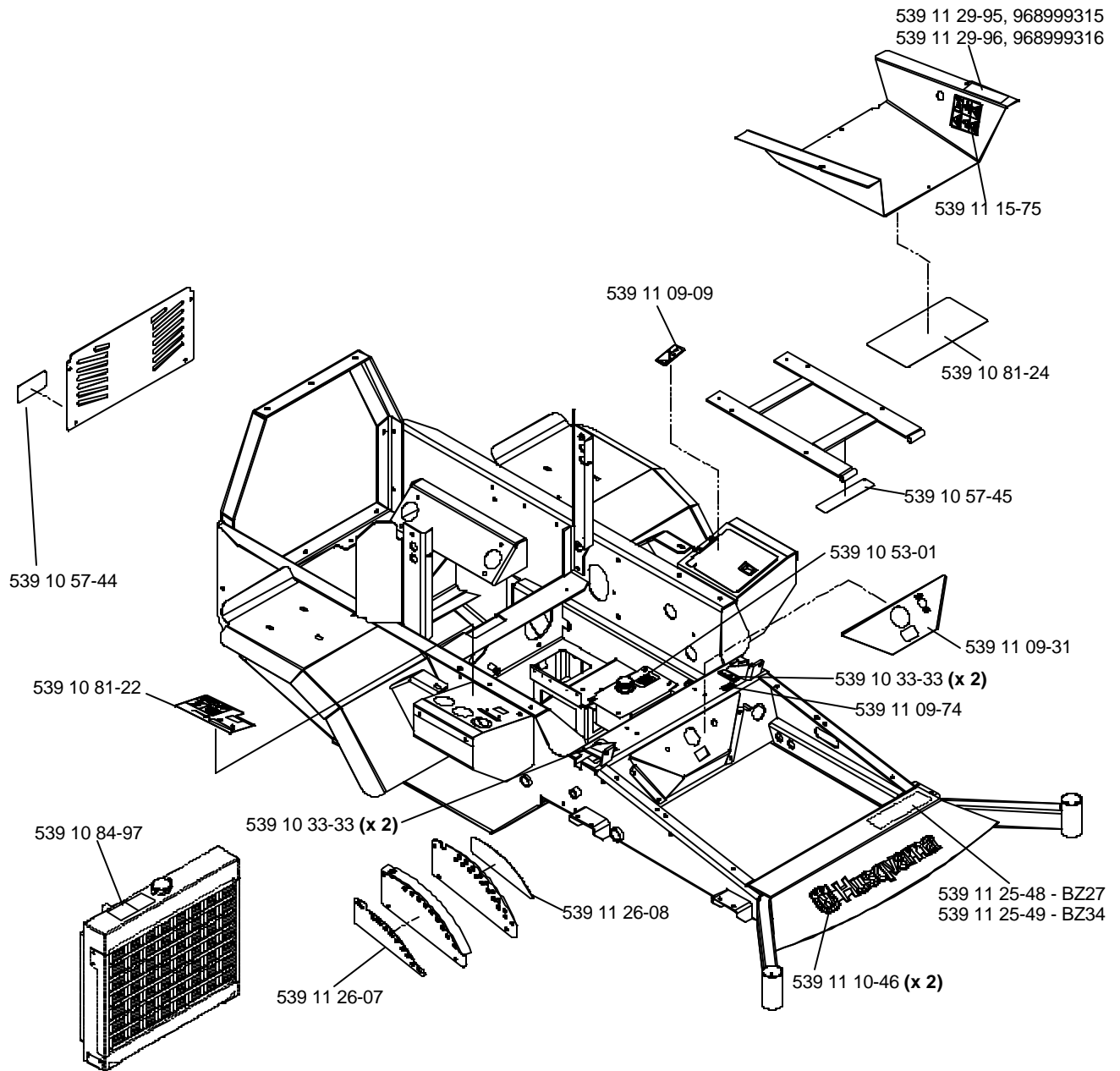
# DECK ASSEMBLY

96899350 CD61B





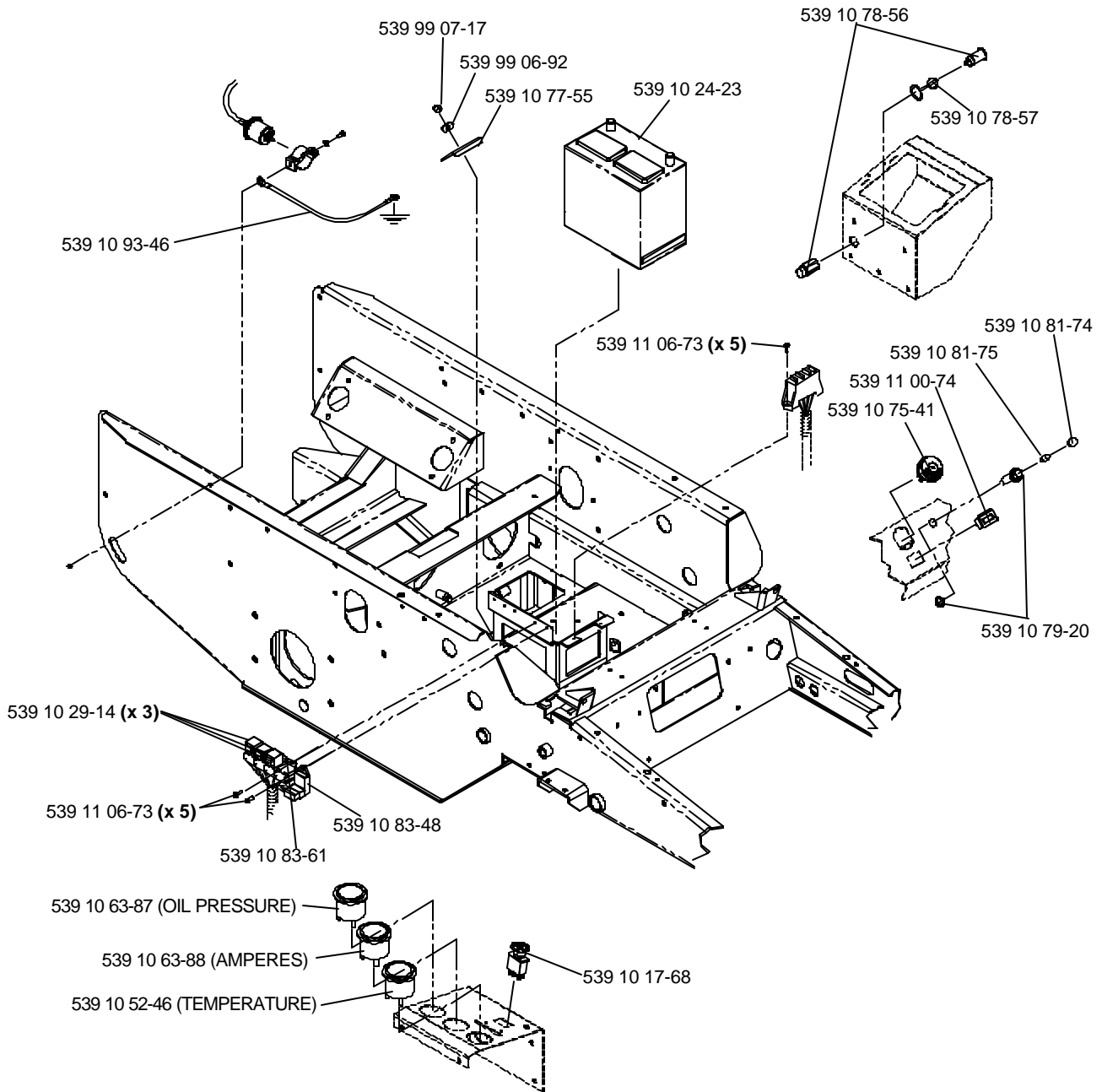
# DECALS



**NOT SHOWN:**

- 539 10 01-28 Decal, engine exhaust
- 539 11 25-38 Decal, 183
- 539 10 58-29 Decal, CE sound power

# ELECTRICAL GROUP



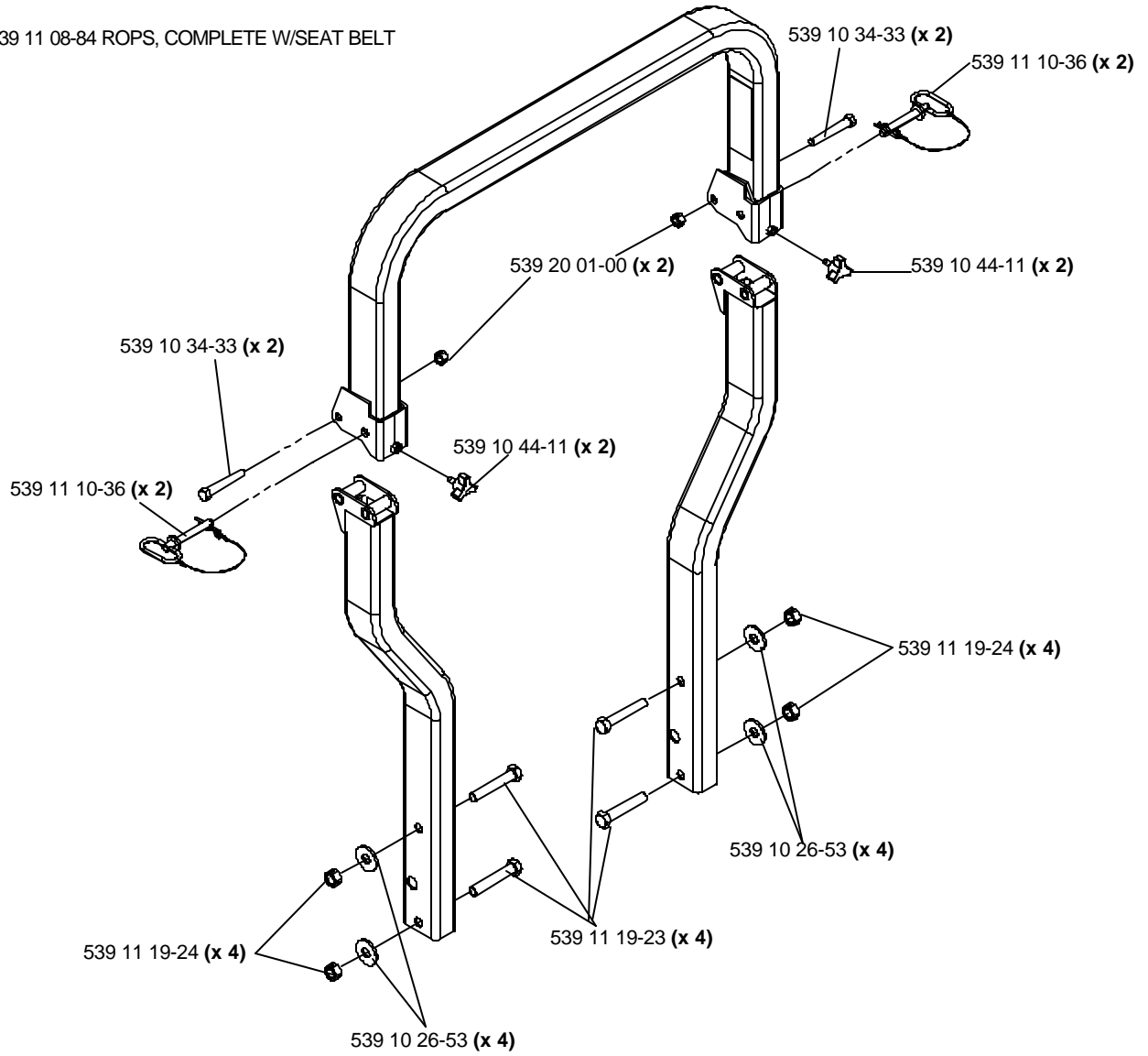
**NOT SHOWN:**

- 539 10 20-86 ..... Fuse, 20 AMP, 32 volts
- 539 10 89-78 (x 2) .... Fuse, 10 AMP, 32 volts
- 539 10 89-79 ..... Fuse, 30 AMP, 32 volts
- 539 10 89-80 ..... Fuse, 50 AMP, 32 volts

# ROPS

## ACCESSORY

539 11 08-84 ROPS, COMPLETE W/SEAT BELT

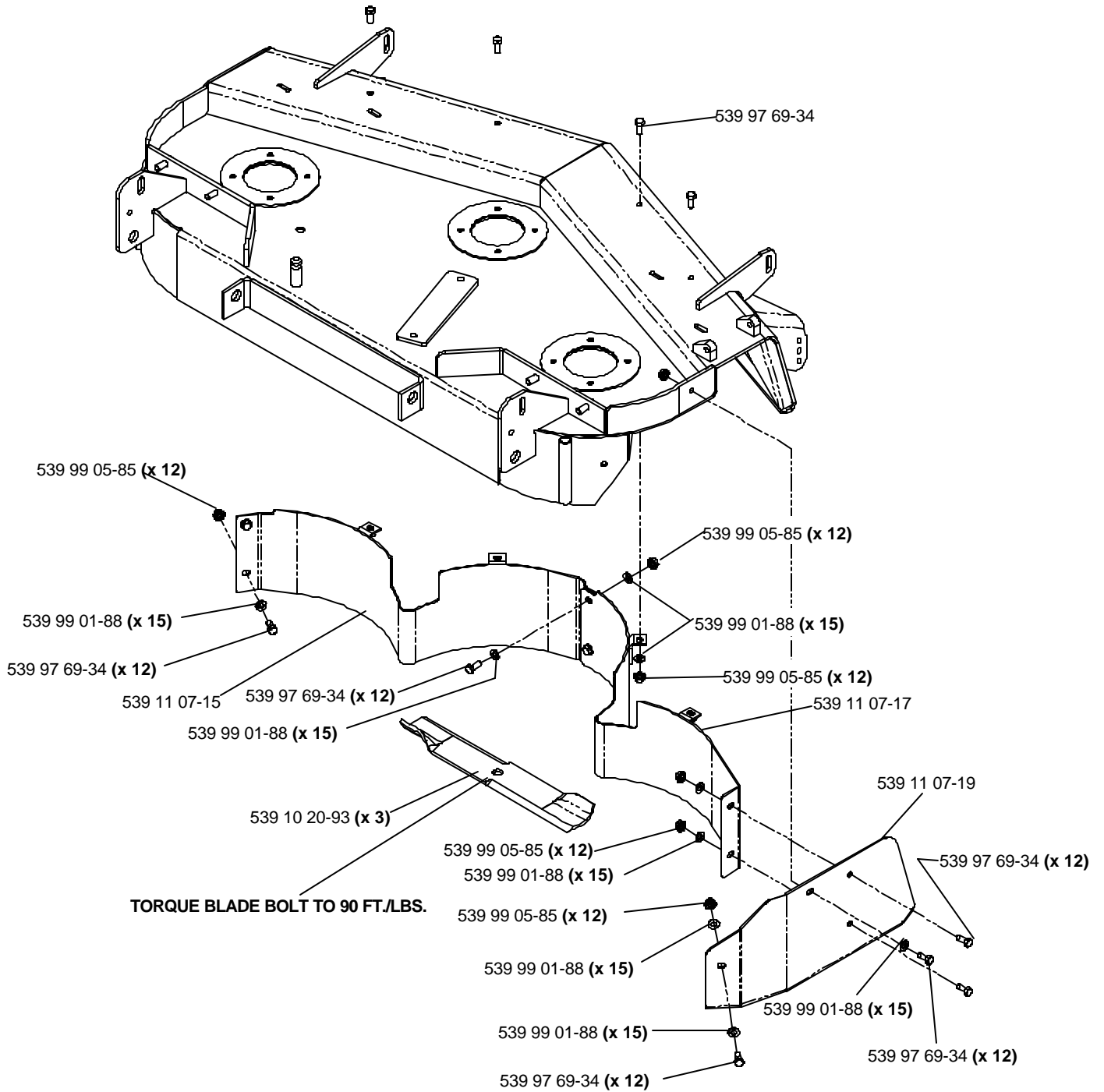


# ACCESSORIES

## MULCH KIT

61" PART NO. 539111353

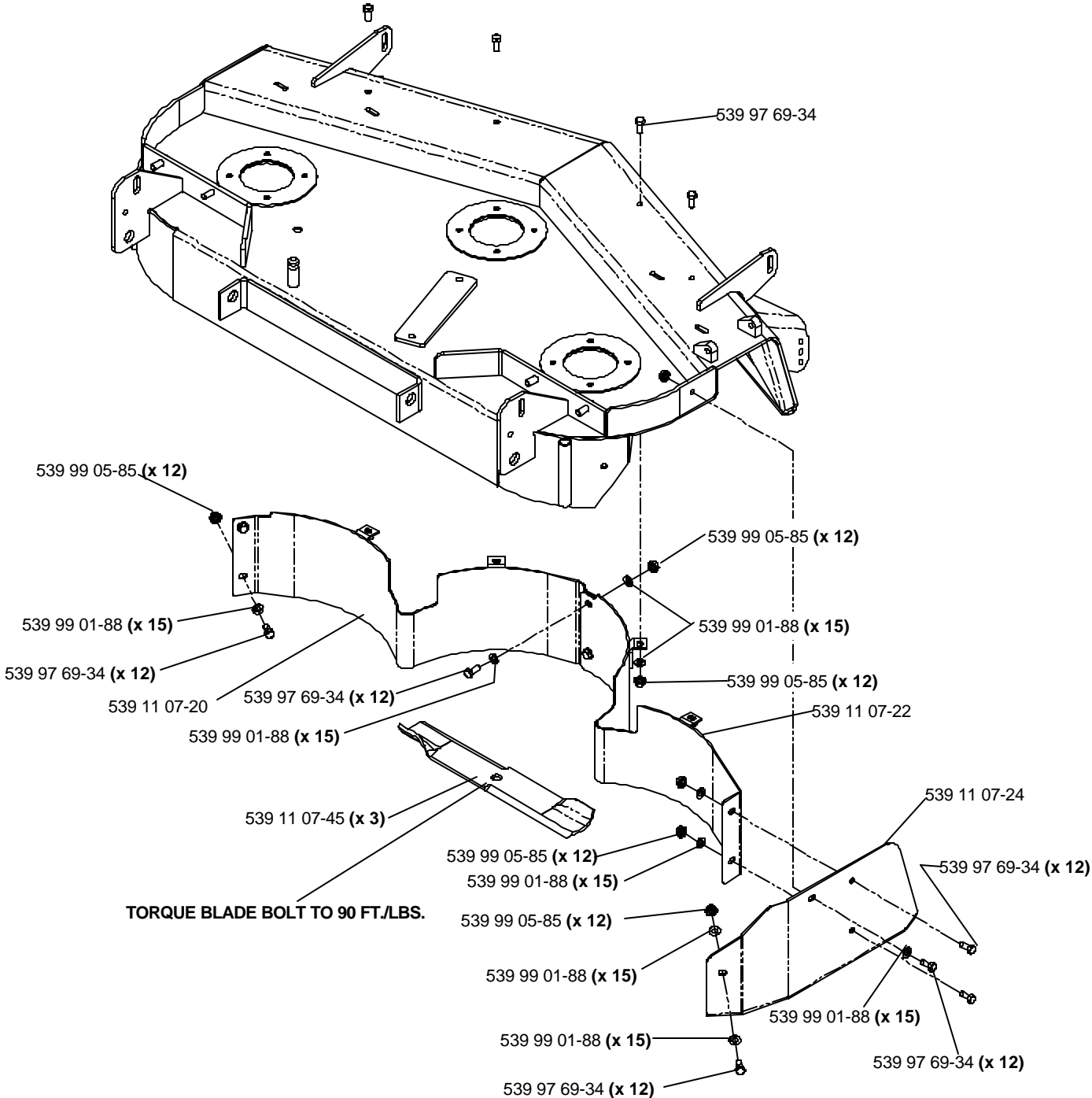
NOTE: TIGHTEN ALL HARDWARE BY TURNING THE BOLT, NOT THE NUT.



# ACCESSORIES

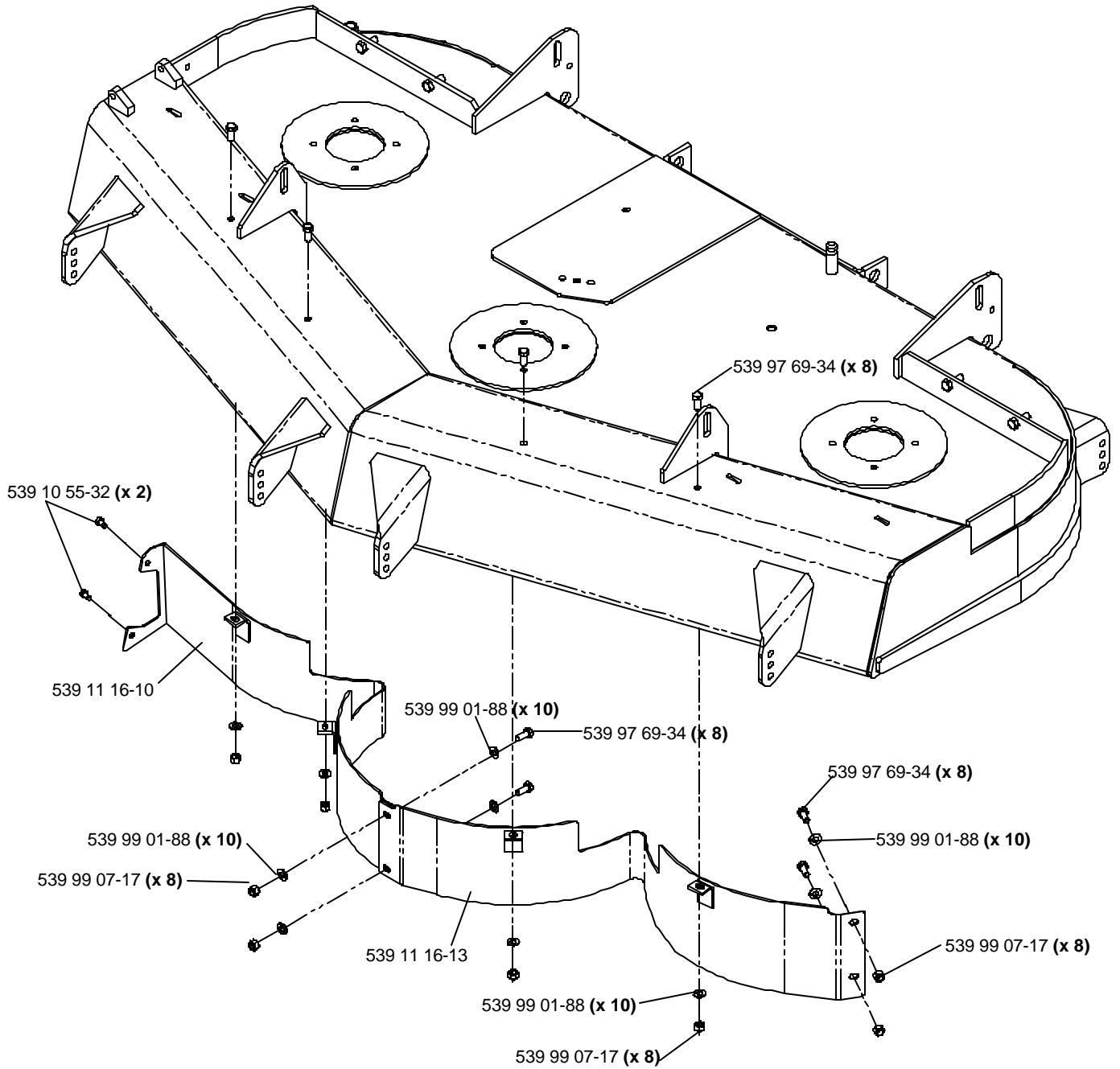
## MULCH KIT 72" PART NO. 539111354

NOTE: TIGHTEN ALL HARDWARE BY TURNING THE BOLT, NOT THE NUT.



# ACCESSORIES

## FRONT Baffle Kits 61" PART NO. 539111634



# ACCESSORIES

## FRONT Baffle Kits 72" PART NO. 539111635

