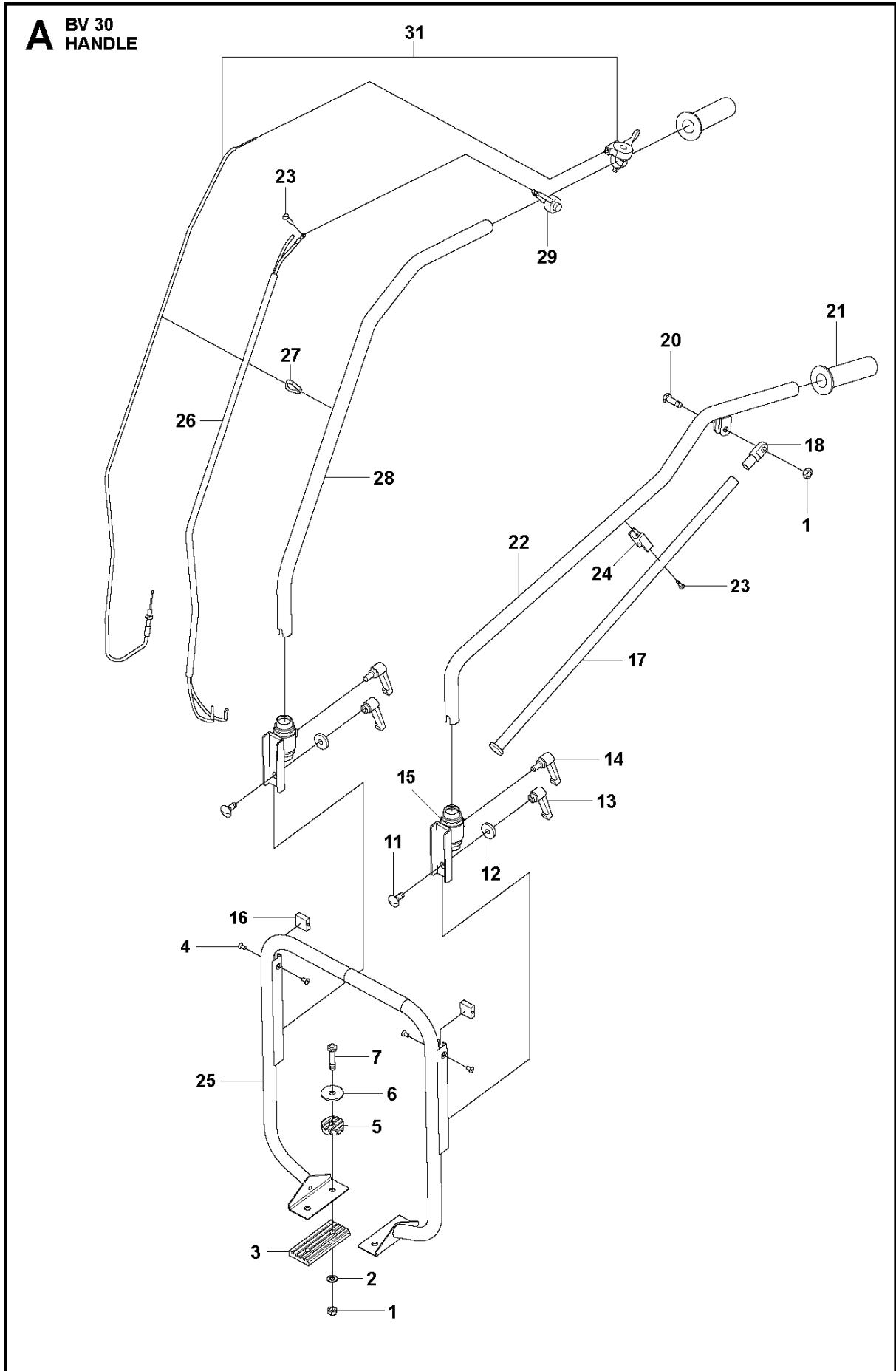




SPARE PARTS LIST

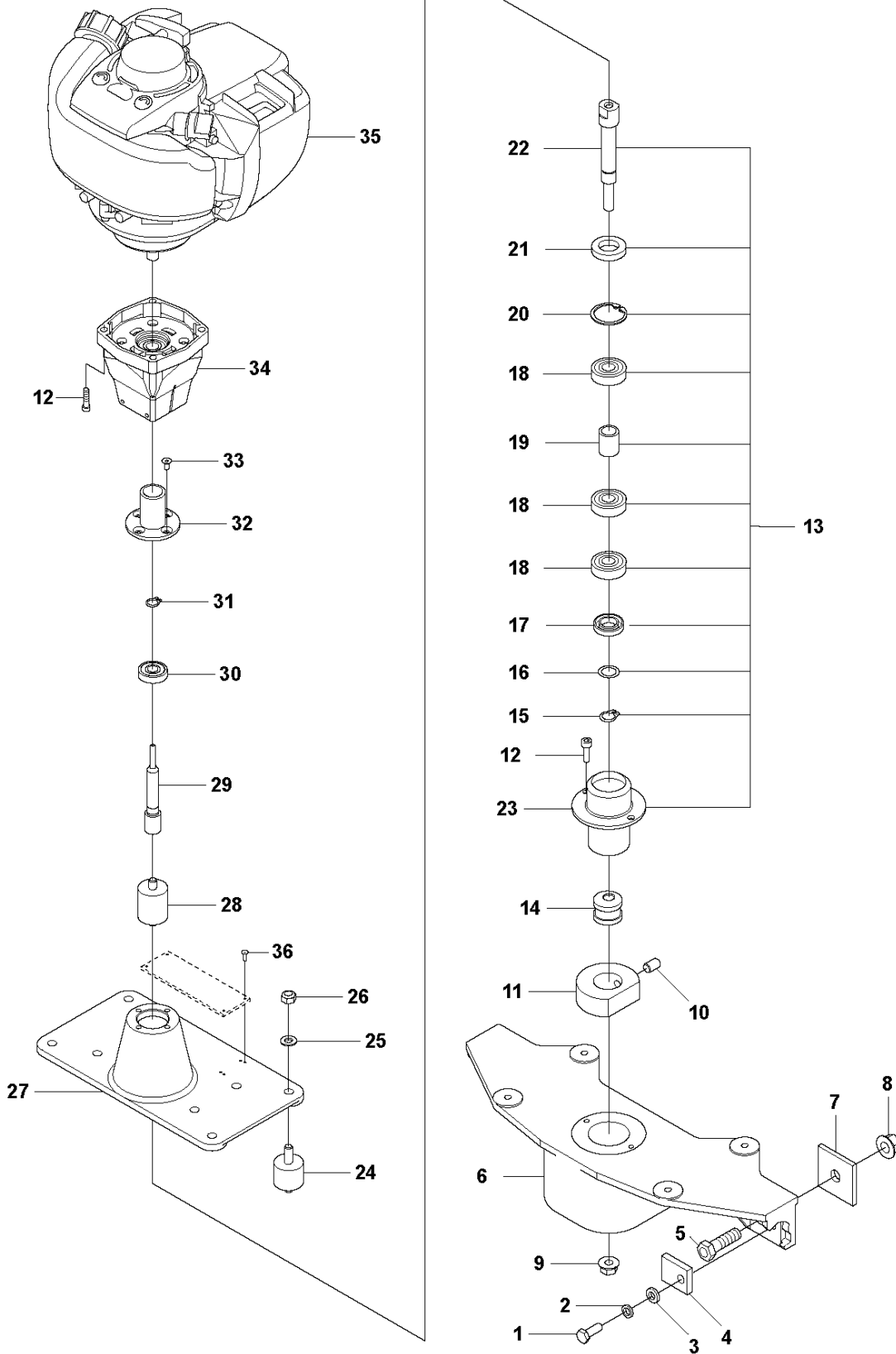
BEAMS & SCREEDS

BV 30, 967856301, 967856302, 2019-06



Ref	Part No	Description	Remark	QTY KIT
1	595 35 23-01	NUT	M8 ISO7040	5
2	595 03 66-01	WASHER	M8 DIN 125b zn	4
3	594 69 91-01	PLATE		2
4	594 39 90-01	SCREW	M5x10 CL 10.9 DIN7991	4
5	594 88 98-01	WASHER		4
6	595 16 77-01	WASHER	SRKB 9x35x3 Fzb	4
7	595 03 35-01	SCREW	M8x40 8.8 A2K DIN931	4
11	594 12 20-01	HEAD	M8X20 CL8.8 DIN603 Mu	2
12	595 11 29-01	WASHER	8.4x26x4 mm	2
13	594 68 30-01	LEVER		2
14	594 68 31-01	LEVER		2
15	594 69 86-01	BRACKET		2
16	594 69 87-01	BRACKET		2
17	594 69 93-01	BAR		1
18	595 46 11-02	BRACKET		1
20	595 34 43-01	SCREW	M8x30 DIN 933-8.8 FZB	1
21	594 37 90-01	HANDLE		2
22	594 25 11-01	HANDLE		1
23	594 83 30-01	SCREW	ST 4.2X16 CL8.8 DIN7981 C	2
24	594 69 95-01	CLAMP		1
25	594 68 63-01	BAR		1
26	597 85 05-01	WIRE	COMPLETE	1
27	595 45 52-01	BAND		4
28	594 69 82-01	HANDLE		1
29	594 22 98-01	KNOB		1
31	597 85 04-01	THROTTLE CONTROL	COMPLETE	1

B BV 30
ENGINE

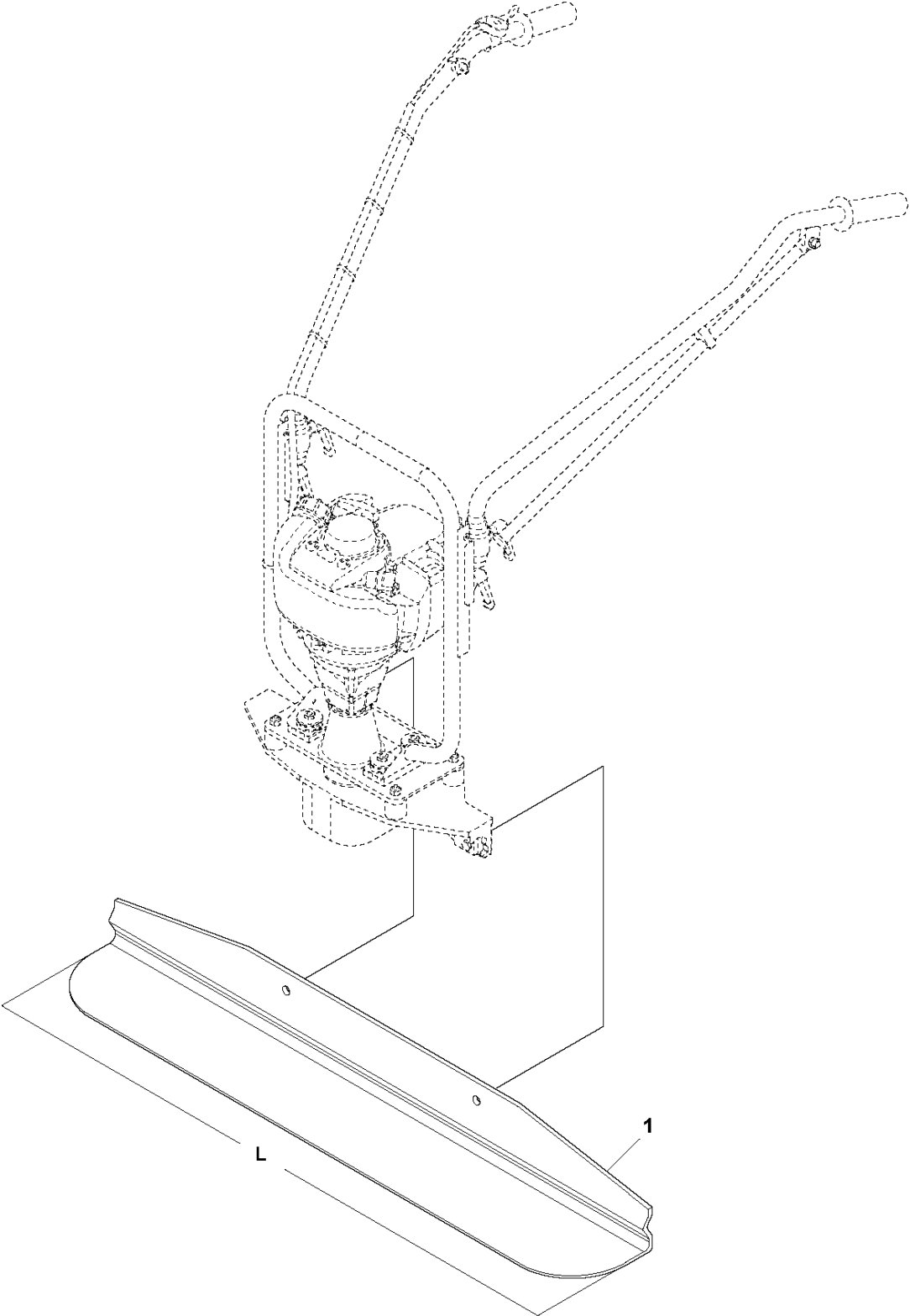


ENGINE

BV 30, 967856301, 967856302, 2019-06

Ref	Part No	Description	Remark	QTY	KIT
1	595 46 58-01	SCREW	M8X22 CL8.8 DIN933	2	
2	595 04 39-01	WASHER	NORDLOCK M8	2	
3	595 16 78-01	WASHER	8,4x16x3 Fzb	2	
4	595 52 30-01	PLATE		2	
5	594 78 56-01	SCREW	M12X40 CL8.8 ISO4017	2	
6	594 62 67-01	BRACKET		1	
7	594 69 12-01	WASHER		2	
8	594 40 92-01	NUT	M12 DIN6927	2	
9	595 16 72-01	NUT	M10 DIN6923	1	
10	594 39 89-01	SCREW	SET SCREW HC M10X16 45H DIN913	1	
11	594 69 89-01	EXCENTER		1	
12	595 34 80-01	SCREW	M06x020H, 8.8, A2K DIN912	6	
13	594 25 35-01	SLEEVE		1	
14	594 69 90-01	HUB		1	
15	594 25 61-01	RING	15X1 DIN471	1	13
16	594 40 03-01	WASHER	WASHER PB 15x21x0,2 DIN988	1	13
17	594 68 12-01	RING	15X30X7 A DIN3760 NBR	1	13
18	594 55 08-01	BEARING	6202-ZZ	3	13
19	594 69 85-01	SPACER		1	13
20	594 26 60-01	RING	35X1,5 DIN472	1	13
21	594 22 21-01	SEAL	20X35X7 A DIN3760	1	13
22	594 69 84-01	SHAFT		1	13
23	594 69 83-01	HUB		1	13
24	594 22 97-01	ABSORBER		4	
25	595 03 66-01	WASHER	M8 DIN 125b zn	4	
26	595 35 23-01	NUT	M8 ISO7040	4	
27	595 27 85-01	BRACKET		1	
28	594 22 96-01	DAMPER		1	
29	594 26 13-01	SHAFT		1	
30	594 26 14-01	BEARING	6001 ZZ	1	
31	595 11 39-01	CIRCLIP	12X1 DIN471	1	
32	594 26 15-01	SLEEVE		1	
33	594 39 90-01	SCREW	M5x10 CL 10.9 DIN7991	4	
34	598 42 59-01	CLUTCH COVER ASSY		1	
35	594 26 18-01	ENGINE	HONDA GX35 NT STSC- OH	1	
36	596 86 59-54	RIVET		4	

C BV 30
BLADE

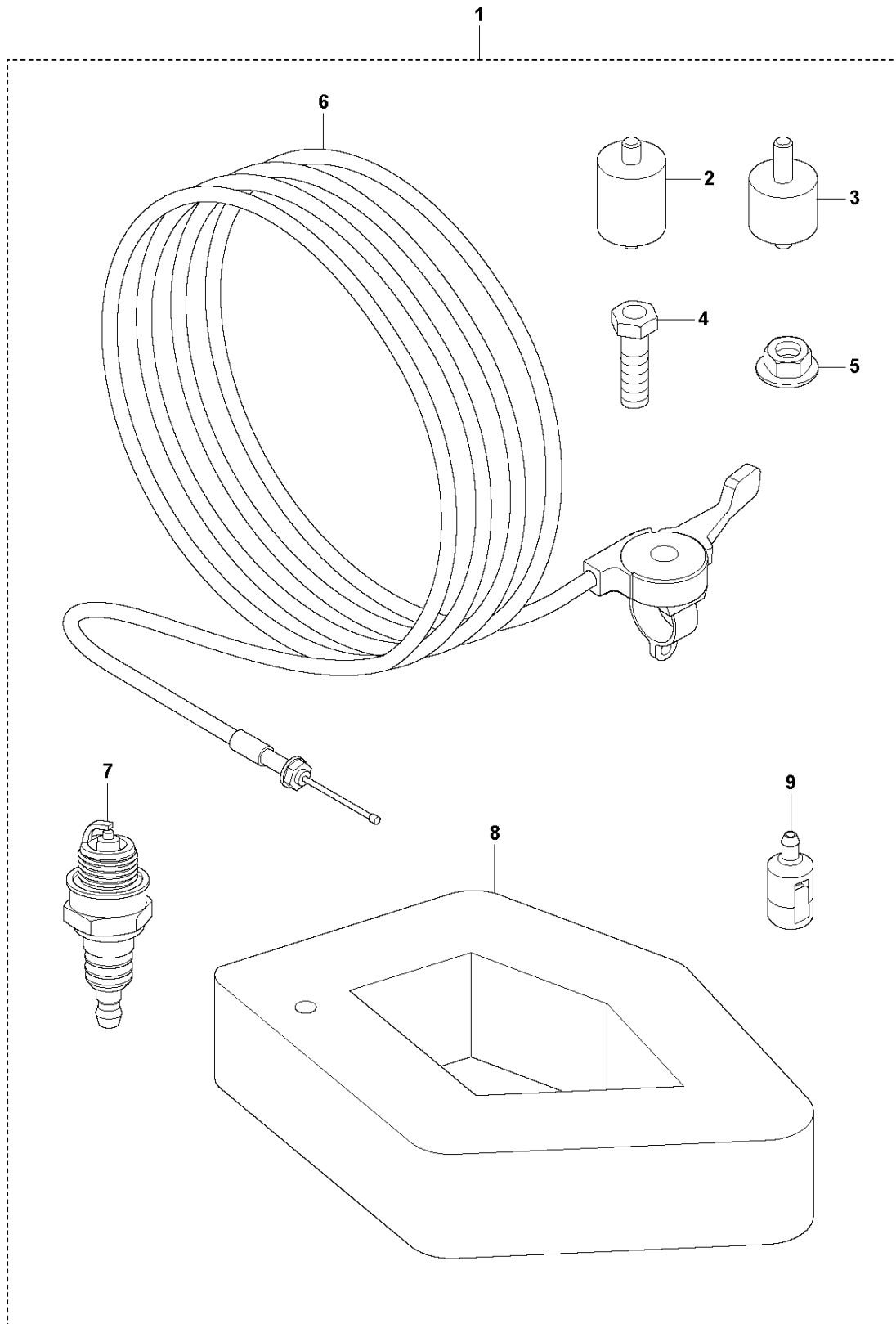


BLADE

BV 30, 967856301, 967856302, 2019-06

Ref	Part No	Description	Remark	QTY KIT
1	967 85 87-01	SCREED BLADE SET	L = 6ft.(1.8m)	1
1	967 85 88-01	SCREED BLADE SET	L = 8ft.(2.4m)	1
1	967 85 89-01	SCREED BLADE SET	L = 10ft.(3m)	1
1	967 85 90-01	SCREED BLADE SET	L = 12ft.(3.6m)	1
1	967 85 91-01	SCREED BLADE SET	L = 14ft.(4.2m)	1

D BV 30
MAINTENANCE KIT

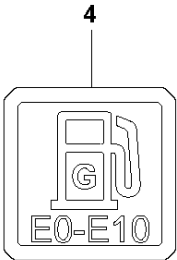
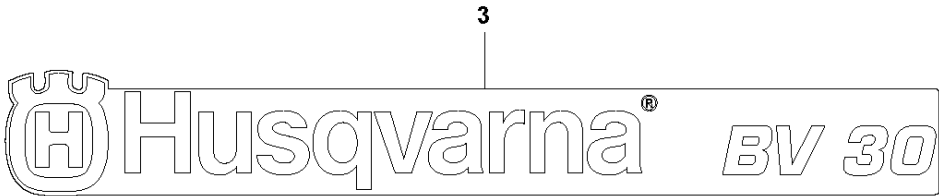
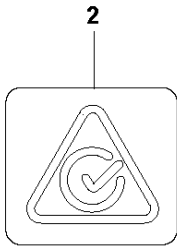
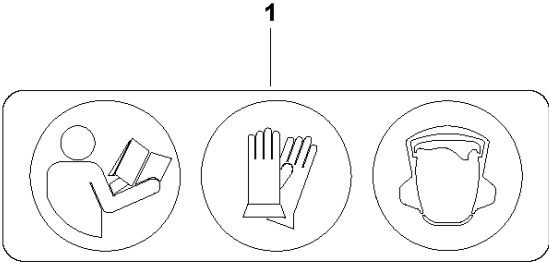


MAINTENANCE KIT

BV 30, 967856301, 967856302, 2019-06

Ref	Part No	Description	Remark	QTY KIT	
1	594 26 20-01	SERVICE KIT	Maintenance kit BV 30	1	
2	594 22 96-01	DAMPER		1	1
3	594 22 97-01	ABSORBER		4	1
4	594 78 56-01	SCREW	M12X40 CL8.8 ISO4017	2	1
5	594 40 92-01	NUT	M12 DIN6927	2	1
6	597 85 04-01	THROTTLE CONTROL	COMPLETE	1	1
7	594 26 03-01	SPARK PLUG	Spark plug	1	1
8	594 26 04-01	AIR FILTER	Air filter element	2	1
9	594 26 05-01	FUEL FILTER	Fuel filter	2	1

E BV 30
DECALS



DECALS

BV 30, 967856301, 967856302, 2019-06

Ref	Part No	Description	Remark	QTY KIT
1	596 63 69-01	DECAL		1
2	596 28 02-01	DECAL		1
3	595 09 36-01	DECAL		2
4	594 66 02-01	LABEL		1