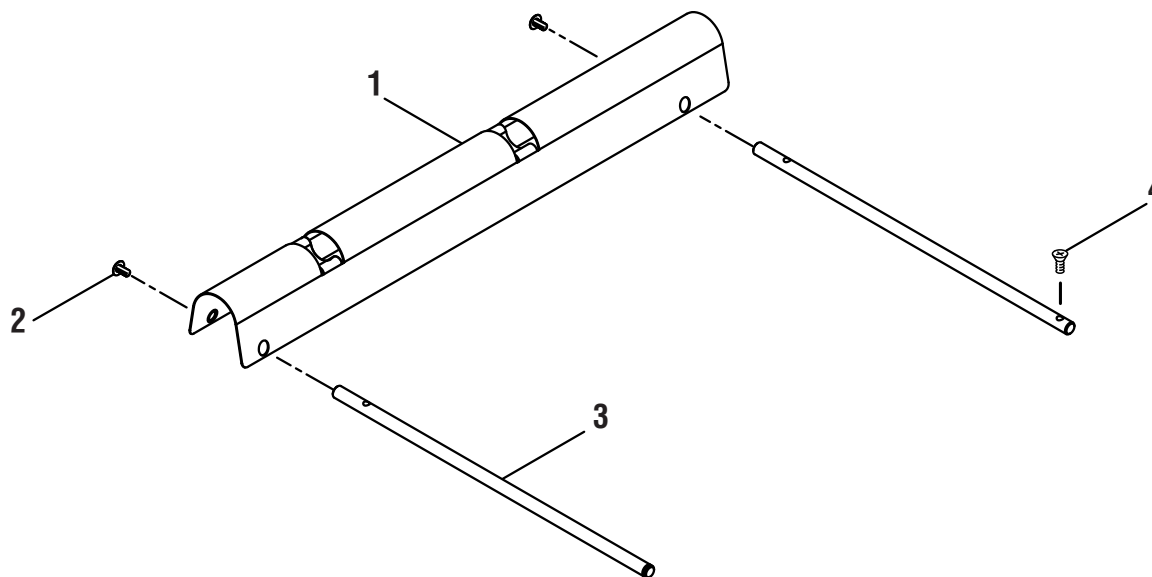


RYOBI 10 in. (254 mm) TABLE SAW - MODEL NO. BTS20R-1

The model number will be found on a plate attached to the motor housing. Always mention the model number in all correspondence regarding your **TABLE SAW** or when ordering repair parts.



PARTS LIST FOR FIGURE B

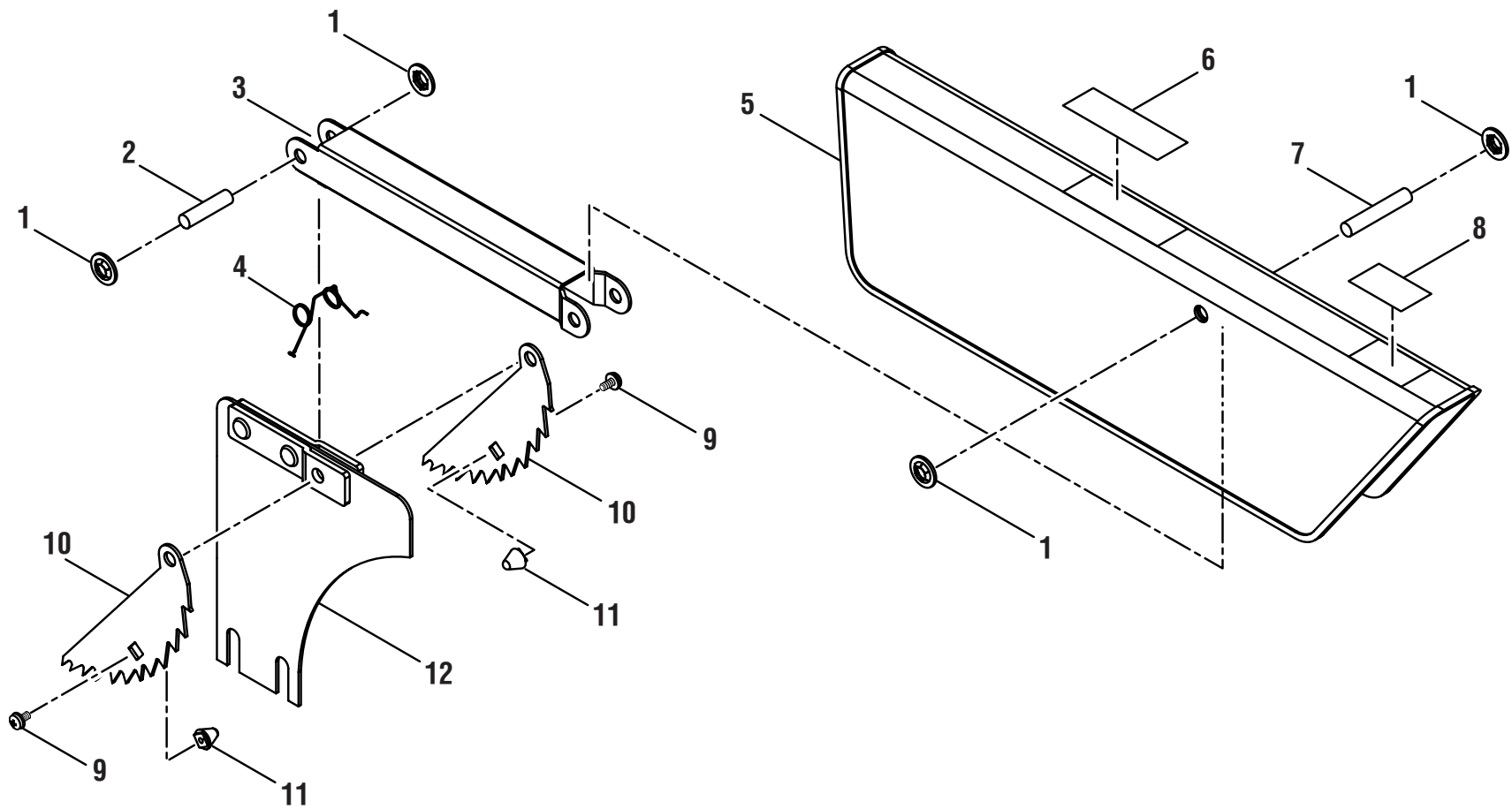
Key No.	Part Number	Description	Qty.
	A131023901	OUTFEED SUPPORT ASSEMBLY	
1	0131020303-125	OUTFEED SUPPORT	1
2	410551701	* SCREW (1/4-20 x 1/2 in.)	2
3	0131010809	OUTFEED SUPPORT ROD	2
4	410182001	* STOP SCREW (M4 X 7 mm)	1

WARNING: Improper repair of tools can result in damage possibly causing electrical shock or electrocution. Any repairs requiring disassembly of your tool requires safety testing and should only be performed by a Ryobi Authorized Service Center. For the service center nearest you call 1-800-525-2579.

* Standard Hardware Item – May Be Purchased Locally

RYOBI 10 in. (254 mm) TABLE SAW - MODEL NO. BTS20R-1

FIGURE C



RYOBI 10 in. (254 mm) TABLE SAW - MODEL NO. BTS20R-1

The model number will be found on a plate attached to the motor housing. Always mention the model number in all correspondence regarding your **TABLE SAW** or when ordering repair parts.

PARTS LIST FOR FIGURE C

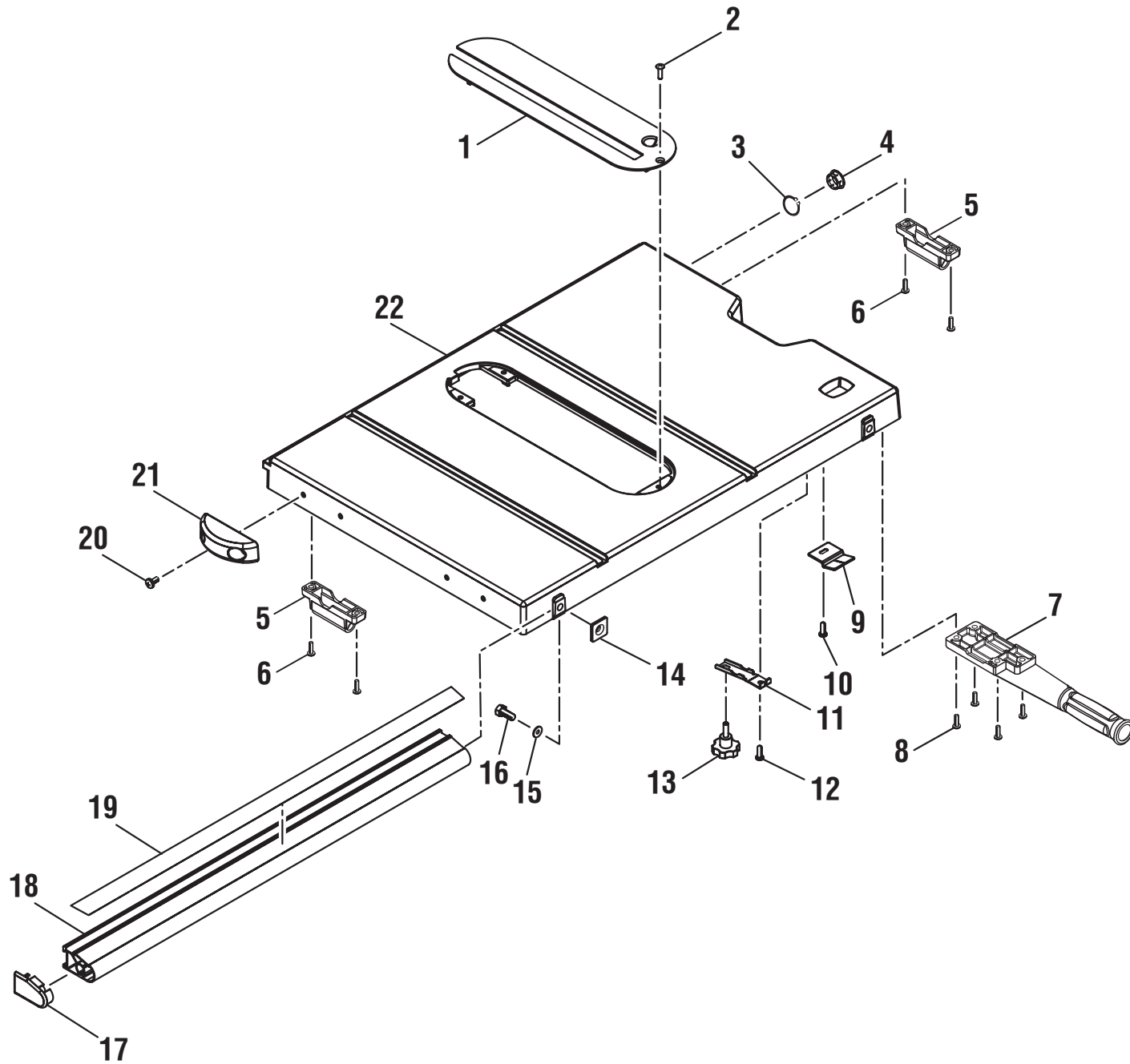
Key No.	Part Number	Description	Qty.
	A131011001	BLADE GUARD ASSEMBLY	
1	411105701	* PUSH NUT (5/16 in.)	4
2	414050003	* PIN (5/16 in. x 1-1/4 in.)	1
3	0131010303	ARM	1
4	0181010902	TORSION SPRING	1
5	0131010204	BLADE GUARD	1
6	9181015330203	WARNING LABEL	1
7	414050004	* PIN (5/16 in. x 1-3/4 in.)	1
8	9181015330202	HAND WARNING LABEL	1
9	0181010801	* SCREW AND WASHER (M4 x 7 mm).....	2
10	0181010303	ANTI-KICK BACK PAWL	2
11	0181010202	SPACER CAP	2
12	A131011601	RIVING KNIFE	1

WARNING: Improper repair of tools can result in damage possibly causing electrical shock or electrocution. Any repairs requiring disassembly of your tool requires safety testing and should only be performed by a Ryobi Authorized Service Center. For the service center nearest you call 1-800-525-2579.

* Standard Hardware Item – May Be Purchased Locally

RYOBI 10 in. (254 mm) TABLE SAW - MODEL NO. BTS20R-1

FIGURE D



RYOBI 10 in. (254 mm) TABLE SAW - MODEL NO. BTS20R-1

The model number will be found on a plate attached to the motor housing. Always mention the model number in all correspondence regarding your **TABLE SAW** or when ordering repair parts.

PARTS LIST FOR FIGURE D

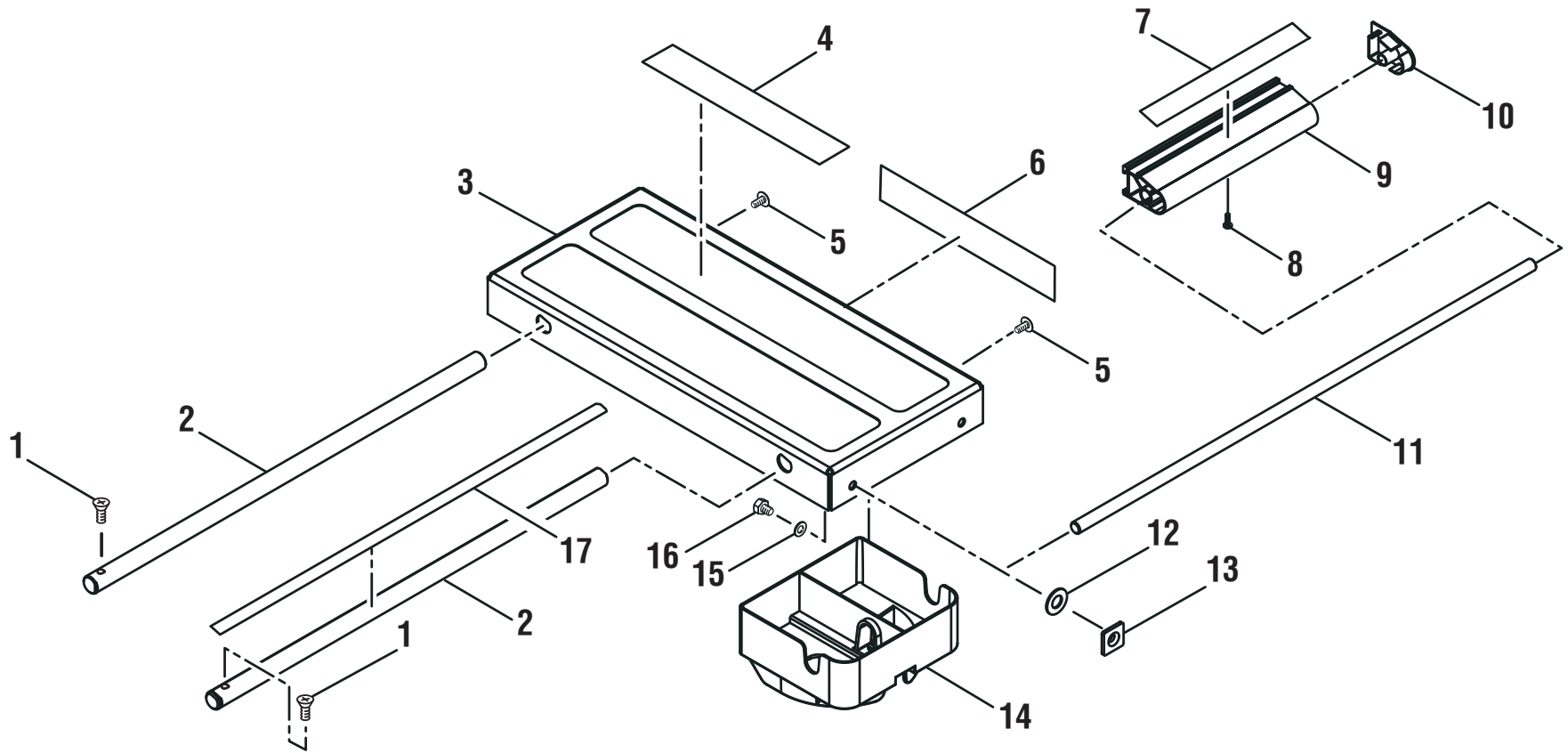
Key No.	Part Number	Description	Qty.	Key No.	Part Number	Description	Qty.
	A131027002	FRONT RAIL ASSEMBLY (INCLUDES FIG. D KEY NOS. 17-19 PLUS FIG. E KEY NOS. 7-11)		11	0131010321	EXTENSION ROD CLAMPING PLATE.....	2
1	0131020307-35	THROAT PLATE	1	12	410171706	* SCREW (10-24 x 1/2 in.).....	6
2	410101710	* SCREW (10-24 x 1/2 in. FLAT HD.)	1	13	0131010225-35	KNOB, EXTENSION ROD	2
3	413011014	C-CLIP	2	14	0181010317	SPECIAL NUT/RAIL WASHER.....	2
4	0131010502	EXTENSION ROD BUSHING	2	15	412011065	* WASHER (D8 x D16 x 0.8T).....	2
5	0131020213	REAR OUTFEED BRACKET	2	16	410011723	* SCREW (5/16-18 x 14 mm HEX HD.)	2
6	410161010	* SCREW (M6 x 25 mm).....	4	17	0131020201	END CAP (LEFT).....	1
7	0131020220	TABLE TILT HANDLE	1	18	0131021801	MAIN RAIL	1
8	0131010814	* SCREW (10-24 x 25 mm)	4	19	9131025330301	SCALE, MAIN RAIL	1
9	0131010214	EXTENSION ROD INDICATOR	1	20	410331704	* SCREW (1/4-20 x 1/2 in.)	4
10	410331008	* SCREW (M4 x 8 mm).....	1	21	0131010224	BUMPER	2
11	0131010321	EXTENSION ROD CLAMPING PLATE.....	2	22	0131020102-33	TABLE	1

WARNING: Improper repair of tools can result in damage possibly causing electrical shock or electrocution. Any repairs requiring disassembly of your tool requires safety testing and should only be performed by a Ryobi Authorized Service Center. For the service center nearest you call 1-800-525-2579.

* Standard Hardware Item – May Be Purchased Locally

RYOBI 10 in. (254 mm) TABLE SAW - MODEL NO. BTS20R-1

FIGURE E



RYOBI 10 in. (254 mm) TABLE SAW - MODEL NO. BTS20R-1

The model number will be found on a plate attached to the motor housing. Always mention the model number in all correspondence regarding your **TABLE SAW** or when ordering repair parts.

PARTS LIST FOR FIGURE E

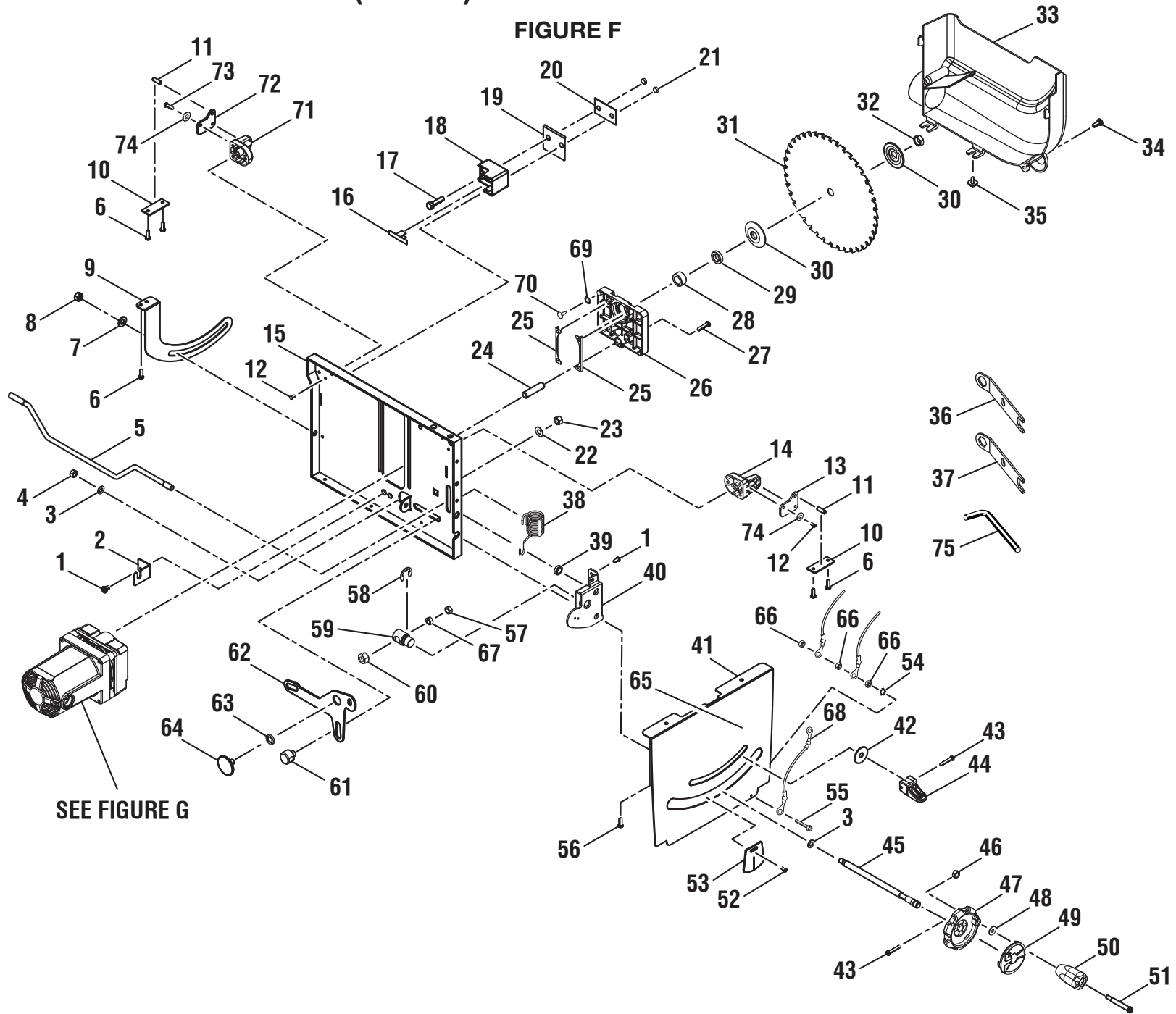
Key No.	Part Number	Description	Qty.	Key No.	Part Number	Description	Qty.
	A131023101	EXTENSION TABLE ASSEMBLY (INC. KEY NOS. 1-6 PLUS KEY NOS. 12-17)		9	0131021802	SMALL RAIL	1
1	410182001	* SCREW (4 x 7 mm PAN HD.).....	2	10	0131020202	END CAP (RIGHT)	1
2	0131010806	EXTENSION ROD	2	11	0131020804	JOINT BAR	1
3	0131020308-125	EXTENSION TABLE	1	12	412017086	* WASHER (D11 x D28 x 2.5T).....	2
4	9131015335703	TEAR-DOWN LABEL	1	13	0181010317	SPECIAL NUT/RAIL WASHER.....	2
5	410551701	* SCREW AND WASHER (1/4-20 x 1/2 in.)...	2	14	0131020206	MITER GAUGE HOLDER.....	1
6	9131015335704	SET-UP LABEL	1	15	412011065	* WASHER (D8 x D16 x 0.8T).....	2
7	9131025330301	SCALE LABEL, SMALL RAIL.....	1	16	410011720	* HEX SCREW (5/16-18 x 3/8 in.)	2
8	410132730	* SCREW (8-32 x 5/8 in.).....	1	17	9131025330302	EXTENSION ROD SCALE.....	1

WARNING: Improper repair of tools can result in damage possibly causing electrical shock or electrocution. Any repairs requiring disassembly of your tool requires safety testing and should only be performed by a Ryobi Authorized Service Center. For the service center nearest you call 1-800-525-2579.

* Standard Hardware Item – May Be Purchased Locally

RYOBI 10 in. (254 mm) TABLE SAW - MODEL NO. BTS20R-1

FIGURE F



RYOBI 10 in. (254 mm) TABLE SAW - MODEL NO. BTS20R-1

The model number will be found on a plate attached to the motor housing. Always mention the model number in all correspondence regarding your **TABLE SAW** or when ordering repair parts.

PARTS LIST FOR FIGURE F

Key No.	Part Number	Description	Qty.	Key No.	Part Number	Description	Qty.
1	410132736	* SCREW (1/4-20 x 3/8 in.)	5	20	0181010321	RIVING CLAMP	1
2	0131010311	SUPPORTER	1	21	411011710	* HEX NUT (5/16-18 x 1/2 in.)	2
3	412017051	* WASHER (D8 x D16 x 1.5T).....	2	22	412012706	* WASHER (3/8 x 20 mm x 2T)	1
4	411011003	* HEX NUT (M8)	3	23	411072709	* NYLON NUT (3/8-16).....	1
5	0131010905	CRANK	1	24	414050007	* PIN (12 x 25 mm).....	1
6	410171706	* TAPPING SCREW (10-24 x 1/2 in.).....	6	25	0131010302	SHIM.....	2
7	412012074	* WASHER (D10 x D26 x 2T).....	2	26	0131010107	GEAR BOX.....	1
8	411072004	* NYLON NUT (M10)	1	27	0181010823	* SCREW AND WASHER (10-24 x 1 in.)	4
9	0131010308	REAR LINKAGE	1	28	0181010504	1/2 in. SPACER	1
10	0181010323	CLAMP PLATE.....	2	29	0181010503	1/4 in. SPACER.....	1
11	0181010905	NEEDLE ROLLER	2	30	0131020301	BLADE WASHER	2
12	410171706	* SCREW (10-24 x 1/2 in.).....	10	31	422010040	BLADE (10 in. x 5/8 in. x 36T).....	1
13	0181010312	PIVOT PLATE (FRONT).....	1	32	0131010912	* ARBOR NUT (5/8-18)	1
14	0131010103	PIVOT SUPPORT (FRONT).....	1	33	0131010205	DUST COVER	1
15	0131010306	LOCKER BRACKET	1	34	410131724	* SCREW (1/4-20 x 16 mm)	2
16	0181010320	FIX PLATE.....	1	35	410331703	* SCREW W/WASHER (1/4-20 x 16 mm).....	2
17	410011718	* SCREW (5/16-18 x 1-1/4 in. HEX HD.).....	2	36	0131010319	WRENCH (SMALL)	1
18	0131010106	RIVING KNIFE DECK.....	1	37	0131010318	WRENCH (LARGE)	1
19	0181010343	SHIM.....	5	38	0131010913	SPRING	1

WARNING: Improper repair of tools can result in damage possibly causing electrical shock or electrocution. Any repairs requiring disassembly of your tool requires safety testing and should only be performed by a Ryobi Authorized Service Center. For the service center nearest you call 1-800-525-2579.

* Standard Hardware Item – May Be Purchased Locally

RYOBI 10 in. (254 mm) TABLE SAW - MODEL NO. BTS20R-1

The model number will be found on a plate attached to the motor housing. Always mention the model number in all correspondence regarding your **TABLE SAW** or when ordering repair parts.

PARTS LIST FOR FIGURE F CONTINUED

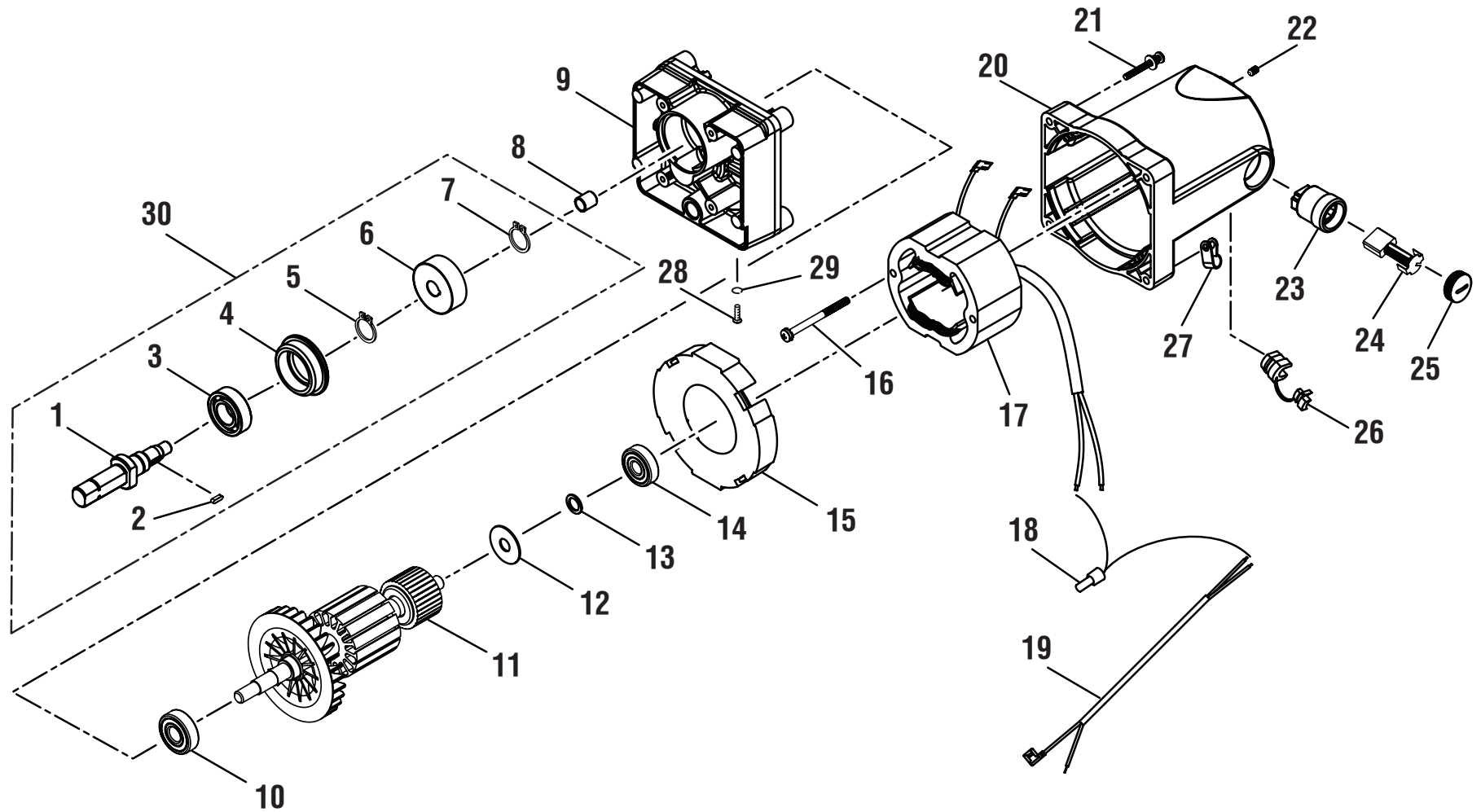
Key No.	Part Number	Description	Qty.	Key No.	Part Number	Description	Qty.
39	0131010914	SPACER	1	58	413051008	C-CLIP (E-15)	1
40	0131010310	BRACKET	1	59	0131010906	BLOCK	1
41	0131010312-33	FRONT PANEL.....	1	60	0131010927	NUT	2
42	412012074	* WASHER (D10 x D26 x 2.0T).....	1	61	0131010301	DRIVE BLOCK	1
43	410132719	* SCREW (8-32 x 1-3/16 in.).....	2	62	0131010305	DRIVE PLATE.....	1
44	0131010227	BEVEL LOCKER	1	63	0131010907	WASHER	1
45	0131010804	GEAR SHAFT (HEIGHT).....	1	64	0131010803	* SCREW (3/8-16 x 22 mm)	1
46	411072702	* LOCK NUT (1/4-20)	1	65	9131015330101	NAME PLATE (LOGO PLATE).....	1
47	0131010206	HANDWHEEL	1	66	411011008	* HEX LOCK NUT (8-32)	5
48	412011712	* FLAT WASHER (1/4 x 13 x 1.5).....	1	67	411021001	* HEX NUT (M8)	1
49	0101140206	HANDWHEEL INSERT.....	1	68	0131011101	GROUNDING WIRE TO STAND	1
50	0131020212	WHEEL HANDLE	1	69	0131010239	"PU" PAD.....	4
51	0101140203	SPECIAL HANDWHEEL SCREW.....	1	70	0131010238	WEAR PAD	4
52	410331008	* SCREW W/WASHER (M4 x 10 mm).....	2	71	0131010111	PIVOT SUPPORT (REAR)	1
53	0131010215	BEVEL INDICATOR.....	1	72	0131010332	PIVOT PLATE (REAR)	1
54	412041002	* STAR WASHER (M4).....	1	73	410341001	* HEX SOCKET SCREW WITH WASHER (M5 x 16 mm).....	2
55	0181010816	* SCREW (8-32 x 3/4 in.).....	2	74	412011007	* FLAT WASHER (D5 x D12 x 1.5T).....	2
56	0181010814	* SCREW (10-24 x 1/2 in.).....	2	75	0181010925	HEX KEY (1/4 in.).....	1
57	411011003	* HEX NUT (M8)	3				

WARNING: Improper repair of tools can result in damage possibly causing electrical shock or electrocution. Any repairs requiring disassembly of your tool requires safety testing and should only be performed by a Ryobi Authorized Service Center. For the service center nearest you call 1-800-525-2579.

* Standard Hardware Item – May Be Purchased Locally

RYOBI 10 in. (254 mm) TABLE SAW - MODEL NO. BTS20R-1

FIGURE G



NOTE: The assembly shown represents an important part of the double insulated system. To avoid the possibility of alteration or damage to the system, service should be performed by your nearest Ryobi Authorized Service Center. For the service center nearest you call 1-800-525-2579.

RYOBI 10 in. (254 mm) TABLE SAW - MODEL NO. BTS20R-1

The model number will be found on a plate attached to the motor housing. Always mention the model number in all correspondence regarding your **TABLE SAW** or when ordering repair parts.

PARTS LIST FOR FIGURE G

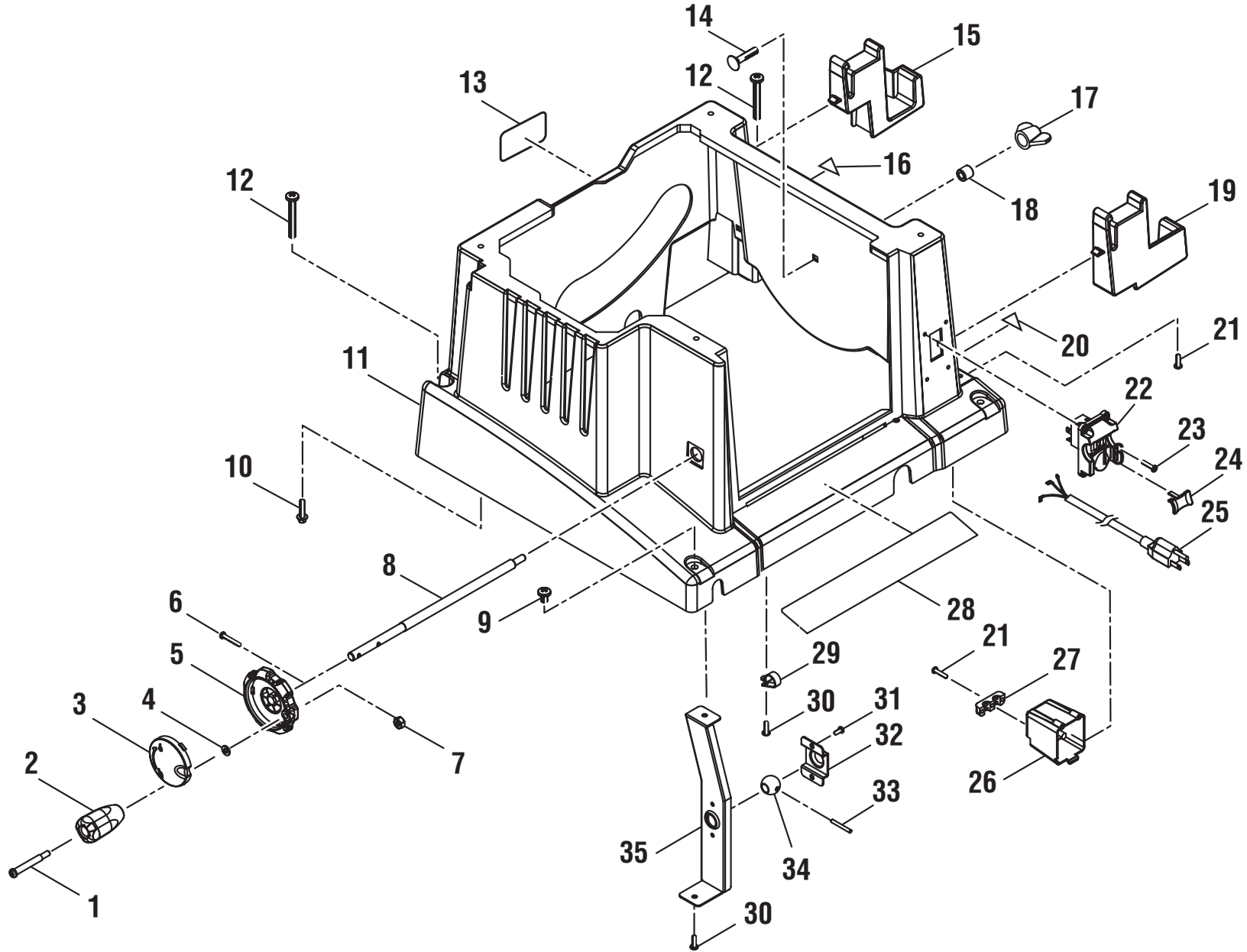
Key No.	Part Number	Description	Qty.	Key No.	Part Number	Description	Qty.
	A131020101	COMPLETE MOTOR ASSEMBLY		17	A131010401	FIELD.....	1
1	0131010602	ARBOR	1	18	451020002	WIRE NUT	2
2	415030001	KEY (3 x 3 x 10 mm).....	1	19	0131010703	MOTOR WIRE (14 AWG x 3C x 1380 mm)..	1
3	420010003	* BALL BEARING (6002LU, Z)	1	20	0131010201	MOTOR HOUSING	1
4	0101010505	BEARING BUSHING.....	1	21	410271701	* SCREW AND WASHER (3/16-32 x 1-3/8 in.).....	4
5	413011001	* C-CLIP (S15).....	1	22	410071004	* SET SCREW (M5 x 10 mm)	2
6	0131011001	REDUCTION GEAR	1	23	0121010231	BRUSH HOLDER ASSEMBLY	2
7	413011009	* C-CLIP (S13).....	1	24	0502025007	BRUSH ASSEMBLY	2
8	420110003	* NEEDLE BEARING (HK0910)	1	25	0121010238	BRUSH CAP	2
9	0131010101	GEAR BOX.....	1	26	451010003	STRAIN RELIEF	1
10	420010001	* BALL BEARING (6201LLU CM,5C)	1	27	0301030202	WIRE CLAMP (5/16 in.)	1
11	A131010301	ARMATURE ASSEMBLY.....	1	28	410131002	* SCREW (M4 x 8 mm).....	1
12	0181010344	INSULATION PLATE	1	29	412041002	* LOCK WASHER (M4).....	1
13	0181010307	INSULATION PLATE	1	30	A131010501	ARBOR SHAFT ASSEMBLY	1
14	420010004	* BALL BEARING (6200LU CM,5C)	1		987000013	OPERATOR'S MANUAL	
15	0131010202	BAFFLE.....	1		04-03-07	(REV:03)	
16	410462002	* SCREW AND STAR WASHER M5 x 60 mm x 25 mm).....	2				

WARNING: Improper repair of tools can result in damage possibly causing electrical shock or electrocution. Any repairs requiring disassembly of your tool requires safety testing and should only be performed by a Ryobi Authorized Service Center. For the service center nearest you call 1-800-525-2579.

* Standard Hardware Item – May Be Purchased Locally

RYOBI 10 in. (254 mm) TABLE SAW - MODEL NO. BTS20R-1

FIGURE H



RYOBI 10 in. (254 mm) TABLE SAW - MODEL NO. BTS20R-1

The model number will be found on a plate attached to the motor housing. Always mention the model number in all correspondence regarding your **TABLE SAW** or when ordering repair parts.

PARTS LIST FOR FIGURE H

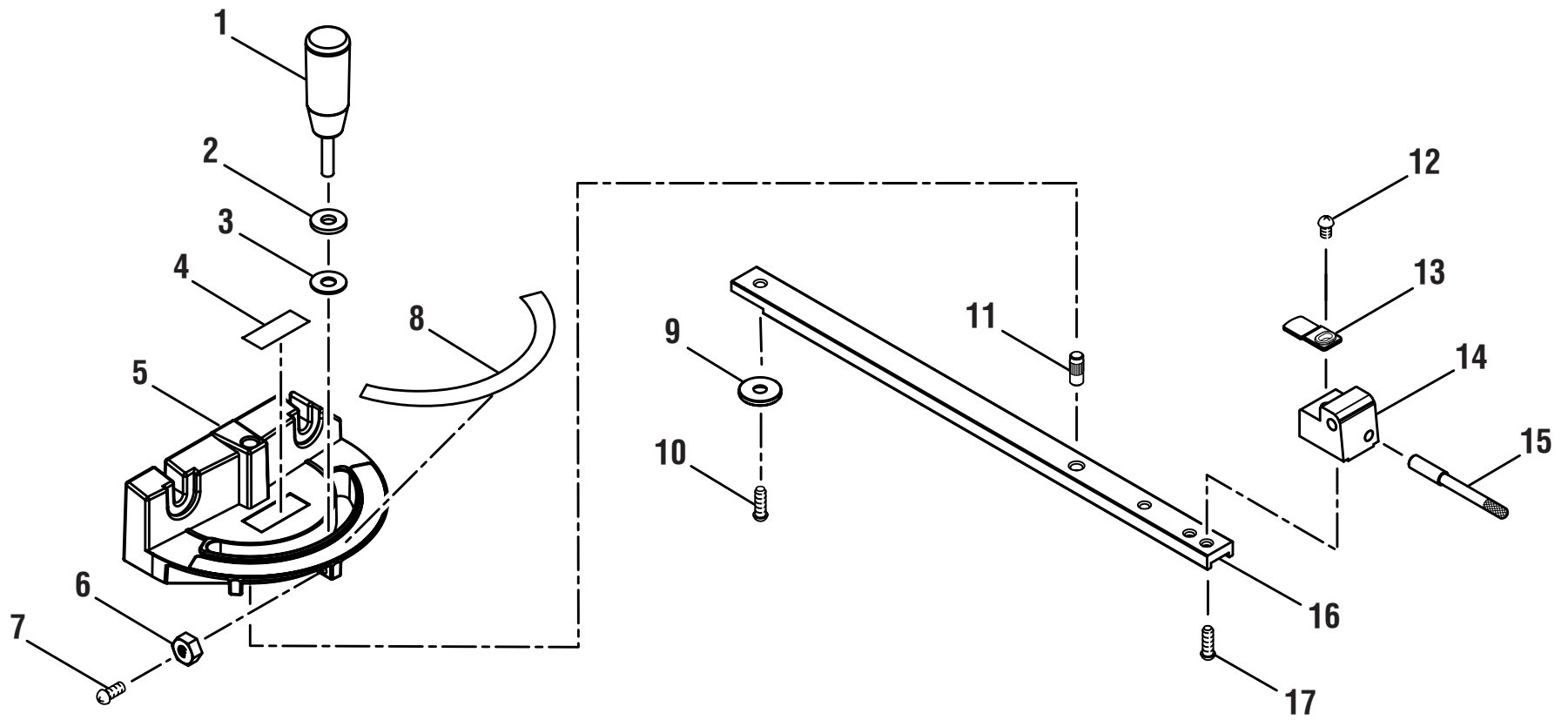
Key No.	Part Number	Description	Qty.	Key No.	Part Number	Description	Qty.
1	0101140203	HANDWHEEL BOLT	1	19	0131020215-39	FENCE HANGER (FRONT)	1
2	0131010208	HANDWHEEL HANDLE	1	20	9131015335705	UNLOCK LABEL.....	1
3	0131010207-35	BEVEL HANDWHEEL CAP.....	1	21	410451703	* SCREW (8-16 x 3/4 in.).....	7
4	412011712	* FLAT WASHER (1/4 x 13 x 1.5).....	1	22	984406-001	SWITCH.....	1
5	0131010206	FRONT HANDWHEEL	1	23	410601004	* SCREW (M4 x 18 mm PAN HD.).....	4
6	410132719	* SCREW (8-32 x 1-3/16 in.)	1	24	984406-003	SWITCH KEY	1
7	411072702	* LOCK NUT (1/4-20)	1	25	0131020701	POWER CORD (14 AWG x 3C x 4.3 mm)....	1
8	0131010805	SCREW ROD	1	26	0131010209	SWITCH BOX	1
9	0131010815	* SCREW (5/16-18 x 1/2 in.)	2	27	0131010210	CORD CLAMP	1
10	410161004	* LOCK SCREW (M6 x 25 mm)	4	28	9131015330201	WARNING LABEL.....	1
11	0131020214-39	CABINET	1	29	0301030202	WIRE CLAMP (5/16)	4
12	0131010816	* SCREW (5/16-18 x 55 mm)	2	30	410451701	* SCREW (8-16 x 1/2 in.).....	5
13	9131025333101	DATA PLATE (BTS20R-1).....	1	31	410132728	* SCREW (1/4-20 x 10 mm)	2
14	410031710	* CARRIAGE BOLT (5/16-18 x 1-1/2 in.).....	1	32	0131010328	PLATE	1
15	0131020216-39	FENCE HANGER (REAR).....	1	33	414011021	* SPRING PIN (M4 x 24 mm)	1
16	9131015335706	LOCK LABEL.....	1	34	0131010926	BALL.....	1
17	0131020211	WING NUT.....	1	35	0131010320	REINFORCE PLATE.....	1
18	0134010238	BLADE STORAGE SPACER	1				

WARNING: Improper repair of tools can result in damage possibly causing electrical shock or electrocution. Any repairs requiring disassembly of your tool requires safety testing and should only be performed by a Ryobi Authorized Service Center. For the service center nearest you call 1-800-525-2579.

* Standard Hardware Item – May Be Purchased Locally

RYOBI 10 in. (254 mm) TABLE SAW - MODEL NO. BTS20R-1

FIGURE I



RYOBI 10 in. (254 mm) TABLE SAW - MODEL NO. BTS20R-1

The model number will be found on a plate attached to the motor housing. Always mention the model number in all correspondence regarding your **TABLE SAW** or when ordering repair parts.

PARTS LIST FOR FIGURE I

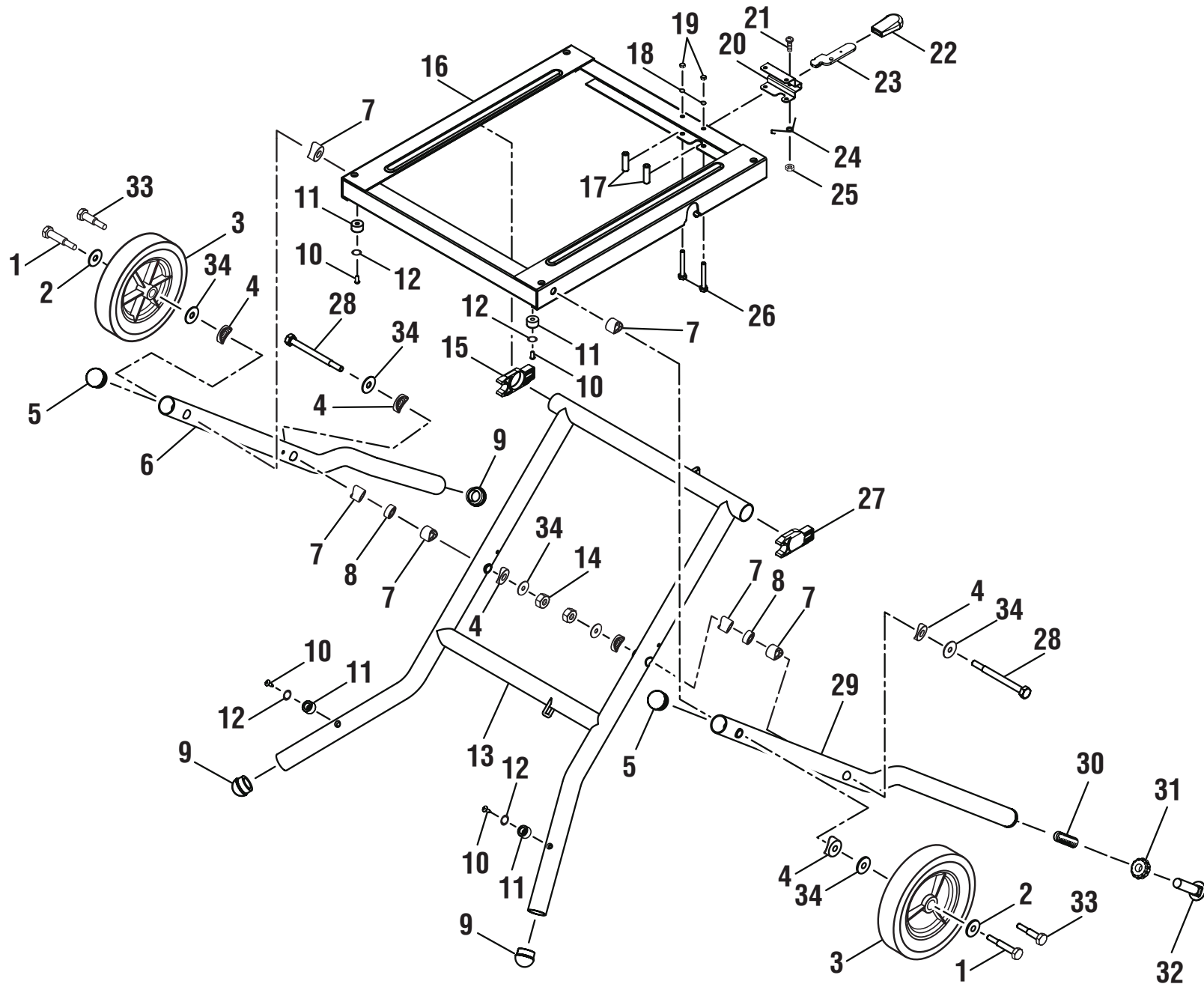
Key No.	Part Number	Description	Qty.
	A131010801	MITER GAUGE ASSEMBLY	
1	A131015202	KNOB.....	1
2	412012705	WASHER.....	1
3	412080702	NYLON WASHER	1
4	9131015330102	LOGO LABEL.....	1
5	0131010109-94	MITER GAUGE HEAD	1
6	411012704	HEX NUT	3
7	410132734	SCREW	3
8	9131015330304	MITER SCALE LABEL	1
9	0131010928	MITER SLIDER WASHER	1
10	410102014	* SCREW (M6 x 8 mm).....	1
11	0101010917	CENTER PIN.....	1
12	410332701	SCREW	1
13	0131010329	MITER INDICATOR	1
14	0131010110	INDICATOR DECK	1
15	0101010918	INDEX PIN	1
16	0131011807	BAR	1
17	410102701	SCREW	2

WARNING: Improper repair of tools can result in damage possibly causing electrical shock or electrocution. Any repairs requiring disassembly of your tool requires safety testing and should only be performed by a Ryobi Authorized Service Center. For the service center nearest you call 1-800-525-2579.

* Standard Hardware Item – May Be Purchased Locally

RYOBI 10 in. (254 mm) TABLE SAW - MODEL NO. BTS20R-1

FIGURE J



RYOBI 10 in. (254 mm) TABLE SAW - MODEL NO. BTS20R-1

The model number will be found on a plate attached to the motor housing. Always mention the model number in all correspondence regarding your **TABLE SAW** or when ordering repair parts.

PARTS LIST FOR FIGURE J

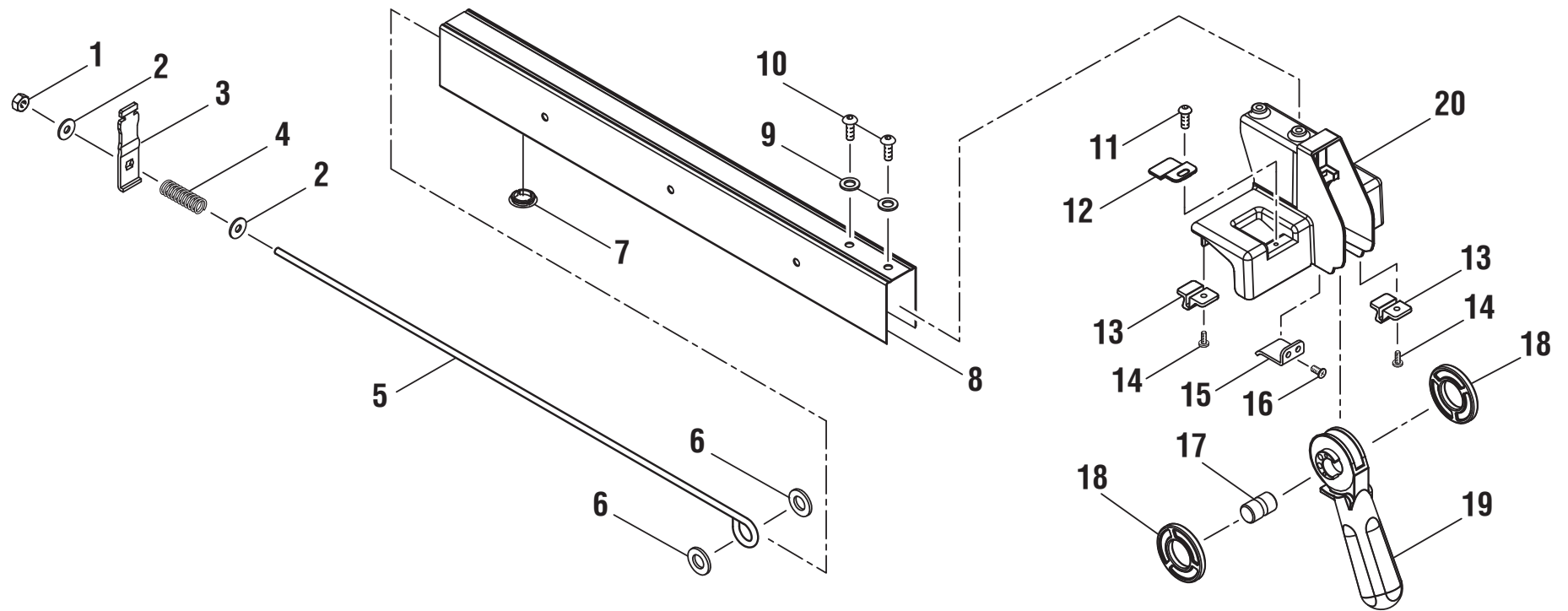
Key No.	Part Number	Description	Qty.	Key No.	Part Number	Description	Qty.
	A131021301	STAND ASSEMBLY		18	412041702	* STAR WASHER (1/4 in.)	2
1	0131020802	SHOULDER BOLT (M10 x 153.5 mm).....	2	19	411011707	* HEX NUT (1/4 in.)	2
2	412011088	* WASHER (D13 x D32 x 1.5T)	2	20	0131010323-112	LATCH	1
3	0131020218	8 in. WHEEL	2	21	0131010810	SCREW	1
4	0131020209	FIXED END	6	22	0131011301	LATCH COVER.....	1
5	0131020217	CAP	2	23	0131010322	LATCH BAR.....	1
6	A131026302	REAR LEG	1	24	0131010915	LATCH SPRING.....	1
7	0131020208	FIXED SPACER	6	25	411071702	* HEX NUT (1/4 in.)	1
8	0131020210	TUBE	2	26	410011722	* HEX SCREW (1/4-20 x 2 in.)	2
9	0131021301	PAD	3	27	0131010231	SLIDER.....	1
10	410131731	* SCREW (1/4-20 x 1/2 in.).....	4	28	0131020801	SHOULDER BOLT	2
11	0131011302	PAD	4	29	A131026301	FRONT LEG	1
12	412011025	* WASHER (D65 x D10 x 0.8T)	4	30	0131010918	ADJUST SPRING	1
13	A131026303	SLIDE LEG	1	31	0131010232	ADJUST RING.....	1
14	411072002	* LOCK NUT (M12)	2	32	410031714	* CARRIAGE BOLT (5/8-11 x 88.9 mm).....	1
15	0131010230	SLIDER.....	1	33	0131020803	SHOULDER BOLT (M10 x 112.5 mm).....	2
16	A131027001	SLIDER FRAME.....	1	34	412011120	WASHER (D12 x D26 x 1.5T)	6
17	0131010923	PIN	2				

WARNING: Improper repair of tools can result in damage possibly causing electrical shock or electrocution. Any repairs requiring disassembly of your tool requires safety testing and should only be performed by a Ryobi Authorized Service Center. For the service center nearest you call 1-800-525-2579.

* Standard Hardware Item – May Be Purchased Locally

RYOBI 10 in. (254 mm) TABLE SAW - MODEL NO. BTS20R-1

FIGURE K



RYOBI 10 in. (254 mm) TABLE SAW - MODEL NO. BTS20R-1

The model number will be found on a plate attached to the motor housing. Always mention the model number in all correspondence regarding your **TABLE SAW** or when ordering repair parts.

PARTS LIST FOR FIGURE K

Key No.	Part Number	Description	Qty.	Key No.	Part Number	Description	Qty.
	A131020901	RIP FENCE ASSEMBLY		11	410331008	* SCREW AND WASHER (M4 x 10 mm)	1
1	411071001	* LOCK NUT (M6).....	1	12	0131020203	SCALE INDICATOR	1
2	412011030	WASHER (D6.5 x D16 x 1.5T).....	2	13	0131020204	SLIDER	2
3	0131020302	CLAMPER - B.....	1	14	410181002	* SCREW (M4 x 6 mm).....	2
4	0121010915	COMPRESSION SPRING	1	15	0131020309	HOOK	1
5	0131020901	PUSH ROD	1	16	410431701	* SCREW (10-24 x 3/8 in.).....	2
6	412011115	WASHER (D16 x D25 x 1.5T).....	2	17	0134010241	AXLE CLAMP.....	1
7	0121010209	REAR FENCE SLIDER	1	18	0121010210	RING PADS.....	2
8	0131021803	RIP FENCE RAIL	1	19	0131020205	FENCE LOCKING HANDLE/ AUXILLIARY HANDLE	1
9	412011064	WASHER (D7 x D16 x 1.5T).....	2	20	0131020101-94	FRONT BLOCK.....	1
10	410491703	* SCREW (1/4-20 x 5/8 in.)	2				

WARNING: Improper repair of tools can result in damage possibly causing electrical shock or electrocution. Any repairs requiring disassembly of your tool requires safety testing and should only be performed by a Ryobi Authorized Service Center. For the service center nearest you call 1-800-525-2579.

* Standard Hardware Item – May Be Purchased Locally