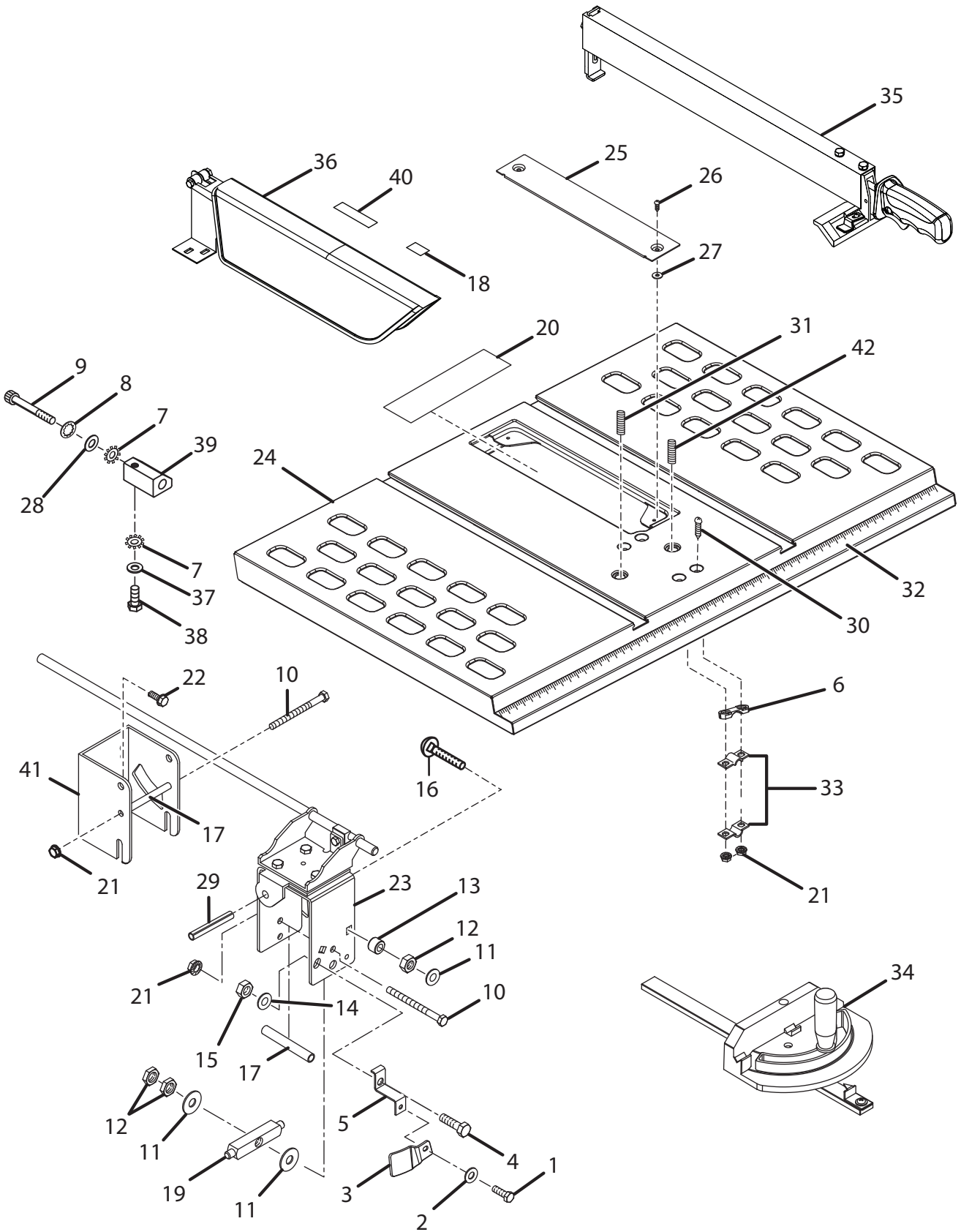


RYOBI TABLE SAW - MODEL NO. BTS12S

FIGURE A



RYOBI TABLE SAW – MODEL NO. BTS12S

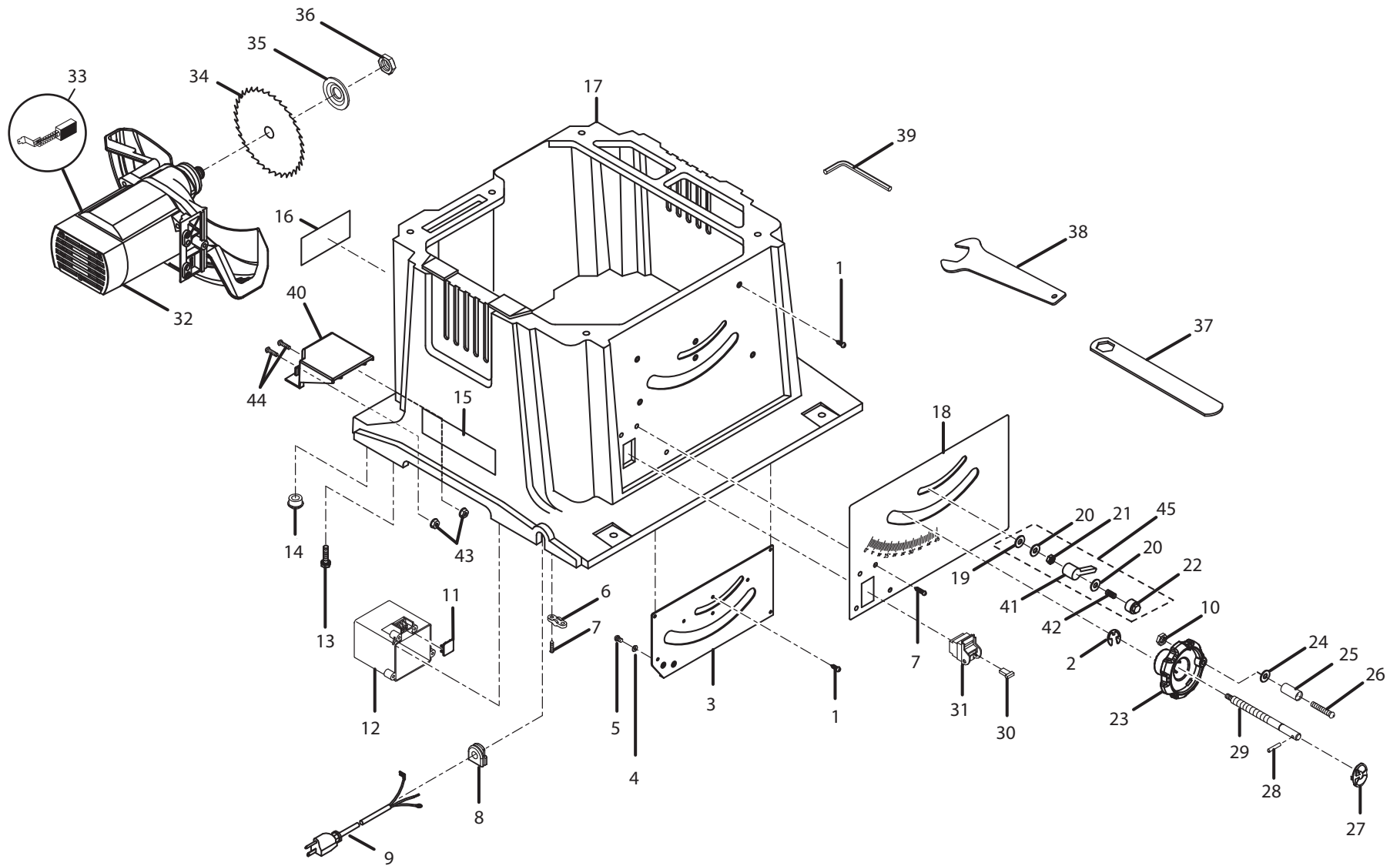
The model number will be found on the data plate attached to the back panel of the cabinet. Always mention the model number in all correspondence regarding your **TABLE SAW** or when ordering repair parts.

PARTS LIST FOR FIGURE A

| Key No. | Part No. | Description | Qty. | Key No. | Part No. | Description | Qty. |
|---------|---------------|--|------|---------|---------------|---------------------------------------|------|
| 1 | 410282702 | SCREW (3/16-24 x 3/8 in., HEX HD.) | 1 | 21 | 411062701 | NUT (1/4-20 CHEESE HD.) | 9 |
| 2 | 412042001 | EXTERNAL TOOTH LOCK WASHER | 1 | 22 | 410162003 | SCREW (M6 x 18 mm, CHEESE HD.) | 3 |
| 3 | 0101140303 | POINTER | 1 | 23 | A101014304 | BRACKET ASSEMBLY | 1 |
| 4 | 410012703 | SCREW (5/16-18 x 5/8 in., HEX HD.) | 1 | 24 | 089015001002 | SAW TABLE | 1 |
| 5 | 0101140304 | POINTER SEAT | 1 | 25 | 0101010301 | THROAT PLATE INSERT | 1 |
| 6 | 089015001003 | CORD CLAMP BASE | 2 | 26 | 410192001 | SCREW (M4 x 10 mm, TRUSS HD.) | 2 |
| 7 | 412042702 | EXTERNAL LOCK WASHER (1/4 in.) | 3 | 27 | 0101141303 | RUBBER WASHER | 2 |
| 8 | 412032701 | INTERNAL LOCK WASHER (1/4 in.) | 1 | 28 | 412012030 | WASHER | 2 |
| 9 | 410151709 | SCREW (1/4-20 x 57 mm, SOC. HD.) | 1 | 29 | 414011002 | SPRING PIN | 1 |
| 10 | 410012702 | SCREW (1/4-20 x 3-1/4 in. HEX HD.) | 2 | 30 | 410102702 | SCREW (1/4-20 x 7/8 in., FLAT HD.) | 4 |
| 11 | 412012701 | WASHER (D1/4 x D16 x t1) | 3 | 31 | 089015001001 | SCREW (M8 x 30 mm, SOC. HD.) | 1 |
| 12 | 411012701 | HEX NUT (1/4-20) | 3 | 32 | 089015001900 | SCALE LABEL | 1 |
| 13 | 0101010903 | SPACER (M9 x 14.5 x 10.5 mm) | 1 | 33 | 0101010303 | STRAP (LONG) | 4 |
| 14 | 412042701 | EXTERNAL TOOTH LOCK WASHER (5/16 in.) | 1 | 34 | 089015001701 | MITER GAUGE ASSEMBLY | 1 |
| 15 | 411012702 | HEX NUT (5/16-18) | 1 | 35 | 089015001700 | RIP FENCE ASSEMBLY | 1 |
| 16 | 410032720 | CARRIAGE BOLT (1/4-20 x 2 in.) | 1 | 36 | A101141001 | BLADE GUARD ASSEMBLY | 1 |
| 17 | 0101010905 | SPACER (9.5 x 68 mm) | 2 | 37 | 412012714 | WASHER (1/4 in.) | 2 |
| 18 | 9181015330202 | LABEL (NO HANDS) | 1 | 38 | 410152716 | SCREW (1/4-20 x 1/2 in., SOC. HD.) | 2 |
| 19 | 0101210902 | DRIVING BLOCK | 1 | 39 | 0101010111 | SPREADER SEAT | 1 |
| 20 | 9121015333301 | INSERT WARNING LABEL | 1 | 40 | 9181015330203 | BLADE GUARD LABEL | 1 |
| | | | | 41 | 0101010308 | MOTOR BRACKET | 1 |
| | | | | 42 | 089015001013 | SCREW (M8 x 35 mm, SOC. HD.) | 1 |

RYOBI TABLE SAW – MODEL NUMBER BTS12S

FIGURE B



RYOBI TABLE SAW – MODEL NUMBER BTS12S

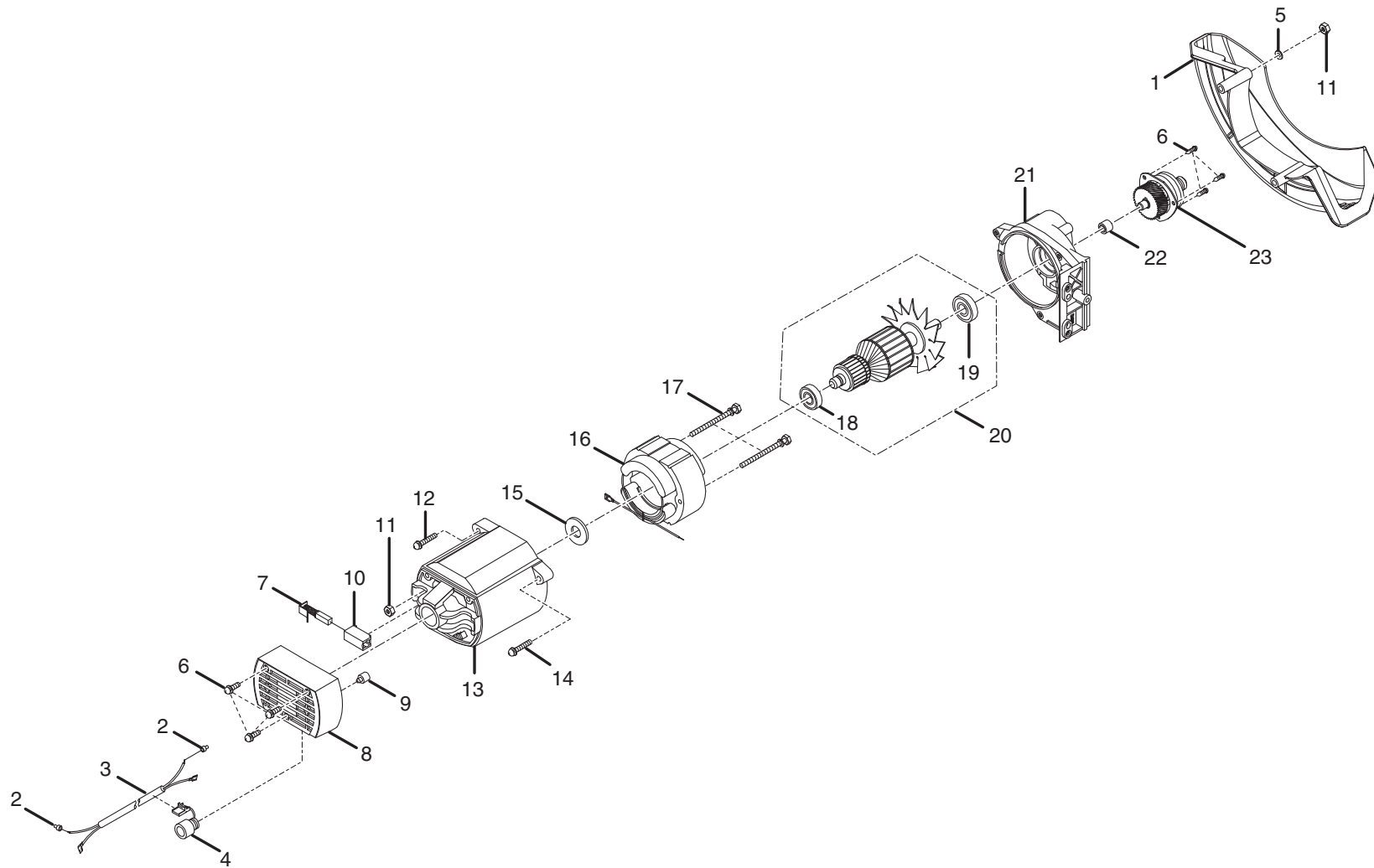
The model number will be found on a plate attached to the back panel of the cabinet. Always mention the model number in all correspondence regarding your **TABLE SAW** or when ordering repair parts.

PARTS LIST FOR FIGURE B

| KEY NO. | PART NUMBER | DESCRIPTION | QTY. | KEY NO. | PART NUMBER | DESCRIPTION | QTY. |
|---------|---------------|--------------------------------------|------|---------|--------------|---|------|
| 1 | 410182001 | SCREW (M4 x 7 mm, FLAT HD.) | 6 | 25 | 0152010204 | BLADE ADJUSTING HANDLE..... | 1 |
| 2 | 089015001007 | E-RING | 1 | 26 | 0101140203 | SHOULDER BOLT | 1 |
| 3 | 0101040305 | REINFORCEMENT PLATE..... | 1 | 27 | 0101140206 | HAND WHEEL INSERT..... | 1 |
| 4 | 412042002 | EXTERNAL TOOTH LOCK WASHER | 1 | 28 | 414011003 | SPRING PIN | 1 |
| 5 | 410132005 | SCREW (M4 x 5 mm, PAN HD.) | 1 | 29 | 089015001006 | ELEVATING SHAFT | 1 |
| 6 | 0101040203 | CORD CLAMP..... | 1 | 30 | 0101140213 | SWITCH KEY..... | 1 |
| 7 | 410192002 | SCREW (M4 x 16 mm, PAN HD.) | 6 | 31 | 452020007 | SWITCH | 1 |
| 8 | 0152011814 | GROMMET | 1 | 32 | A101140109 | MOTOR ASSEMBLY w/GUARD | 1 |
| 9 | 0101140701 | POWER CORD | 1 | 33 | 0101015002 | BRUSH ASSEMBLY | 2 |
| 10 | 411072702 | LOCK NUT (1/4-20)..... | 1 | 34 | *** | 10 in. BLADE (422010025) | 1 |
| 11 | 0101090302 | CORD CLAMP..... | 1 | 35 | 0101010302 | OUTER BLADE WASHER..... | 1 |
| 12 | 0101090201 | SWITCH BOX | 1 | 36 | 0101010920 | ARBOR NUT (5/8-18) | 1 |
| 13 | 410162004 | SCREW (M6 x 25 mm, CHEESE HD.) | 5 | 37 | 0101010312 | ARBOR WRENCH (15/16 in., SMALL)..... | 1 |
| 14 | 0111140208 | RUBBER FOOT | 4 | 38 | 0101010313 | WRENCH (LARGE) | 1 |
| 15 | 9101145330203 | WARNING LABEL..... | 1 | 39 | 0201010904 | HEX KEY (M5)..... | 1 |
| 16 | 089015001901 | DATA LABEL..... | 1 | 40 | 0101210208 | GUARD (BAFFLE PLATE) | 1 |
| 17 | 089015001004 | CABINET | 1 | 41 | 089015001005 | BEVEL LOCK LEVER..... | 1 |
| 18 | 9101145330101 | FRONT PANEL LABEL | 1 | 42 | 0101140904 | SPRING..... | 1 |
| 19 | 412080001 | NYLON WASHER..... | 1 | 43 | 411062004 | NUT (M4, CHEESE HD.)..... | 2 |
| 20 | 412012701 | FLAT WASHER (D1/4 x D16 x t1) | 2 | 44 | 410542005 | SCREW (M4 x 15 mm)..... | 2 |
| 21 | 411012701 | HEX NUT (1/4-20)..... | 1 | 45 | 089015001702 | BEVEL LOCK LEVER ASSEMBLY (INC. PAGE 2 KEY NOS. 13 AND 16; PAGE 4 KEY NOS. 19-22 AND 41-42) | 1 |
| 22 | 0101140221 | LOCK NUT..... | 1 | | | | |
| 23 | 0101140205 | HAND WHEEL | 1 | | | | |
| 24 | 412011712 | WASHER | 1 | | | | |

RYOBI TABLE SAW – MODEL NUMBER BTS12S

FIGURE C



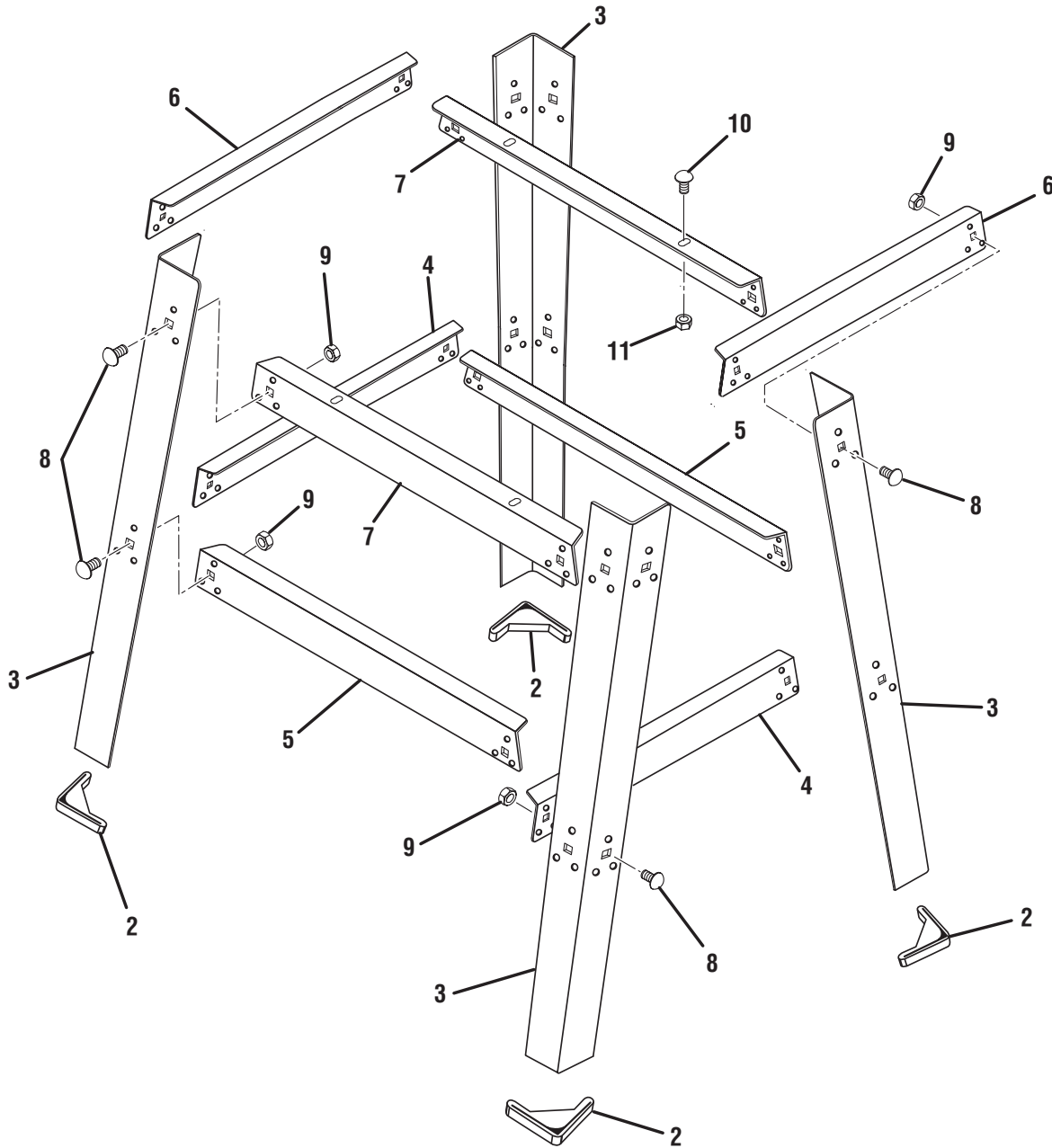
RYOBI TABLE SAW – MODEL NUMBER BTS12S

The model number will be found on a plate attached to the back panel of the cabinet. Always mention the model number in all correspondence regarding your **TABLE SAW** or when ordering repair parts.

PARTS LIST FOR FIGURE C

| KEY NO. | PART NUMBER | DESCRIPTION | QTY. | KEY NO. | PART NUMBER | DESCRIPTION | QTY. |
|---------|-------------|----------------------------------|------|---------|---------------------|--------------------------------------|------|
| 1 | 0101210210 | LOWER BLADE GUARD..... | 1 | 13 | 0101010207 | MOTOR HOUSING ASSEMBLY | 1 |
| 2 | 451020004 | WIRE CONNECTOR..... | 2 | 14 | 0101010807 | SCREW w/WASHER (M5 x 30 mm)..... | 1 |
| 3 | 0101140703 | MOTOR CORD | 1 | 15 | 412061001 | WAVY WASHER | 1 |
| 4 | 451010001 | STRAIN RELIEF | 1 | 16 | A101010403 | FIELD..... | 1 |
| 5 | 412042001 | EXTERNAL TOOTH LOCK WASHER | 2 | 17 | 410292001 | HEX SCREW w/WASHER (M5 x 60 mm)..... | 2 |
| 6 | 410252001 | SCREW w/WASHER (M4 x 12 mm)..... | 6 | 18 | 420010102 | BALL BEARING (6001ZZ)..... | 1 |
| 7 | 0101015002 | BRUSH ASSEMBLY | 2 | 19 | 420010101 | BALL BEARING (6201ZZ)..... | 1 |
| 8 | 0101010208 | END CAP (MOTOR)..... | 1 | 20 | A101010305 | ARMATURE (INC. KEY NOS. 18-19) | 1 |
| 9 | 0101010209 | RUBBER PLUG | 2 | 21 | 0101010102 | GEAR HOUSING | 1 |
| 10 | 0101010502 | BRUSH HOLDER..... | 2 | 22 | 420110004 | NEEDLE BEARING | 3 |
| 11 | 411012001 | HEX NUT (M5) | 2 | 23 | A101010501 | JACKSHAFT ASSEMBLY (ARBOR)..... | 1 |
| 12 | 410272004 | SCREW (M5 x 75 mm)..... | 2 | | 987000372 | OPERATOR'S MANUAL | 1 |
| | | | | | 8-11-11 (REV:02) | | |

FIGURE D



PARTS LIST FOR FIGURE D

| Key No. | Part No. | Description | Qty. | Key No. | Part No. | Description | Qty. |
|---------|--------------|---|------|---------|--------------|---|------|
| 1 | 089015001703 | COMPLETE STAND ASSEMBLY (INC. KEY NOS. 2-11)..... | 1 | 7 | 089015001018 | UPPER BRACE..... | 2 |
| 2 | 089015001014 | FOOT PAD | 4 | 8 | 410032709 | CARRIAGE BOLT (5/16 x 5/8 in.)..... | 16 |
| 3 | 089015001015 | LEG..... | 4 | 9 | 411062702 | HEX LOCK NUT (5/16-18) | 16 |
| 4 | 089015001017 | LOWER SIDE BRACE..... | 2 | 10 | 410032705 | CARRIAGE BOLT (1/4-20 x 1-5/8 in.)..... | 4 |
| 5 | 089015001016 | LOWER BRACE..... | 2 | 11 | 411062701 | HEX NUT (1/4-20)..... | 4 |
| 6 | 089015001019 | UPPER SIDE BRACE..... | 2 | | | | |