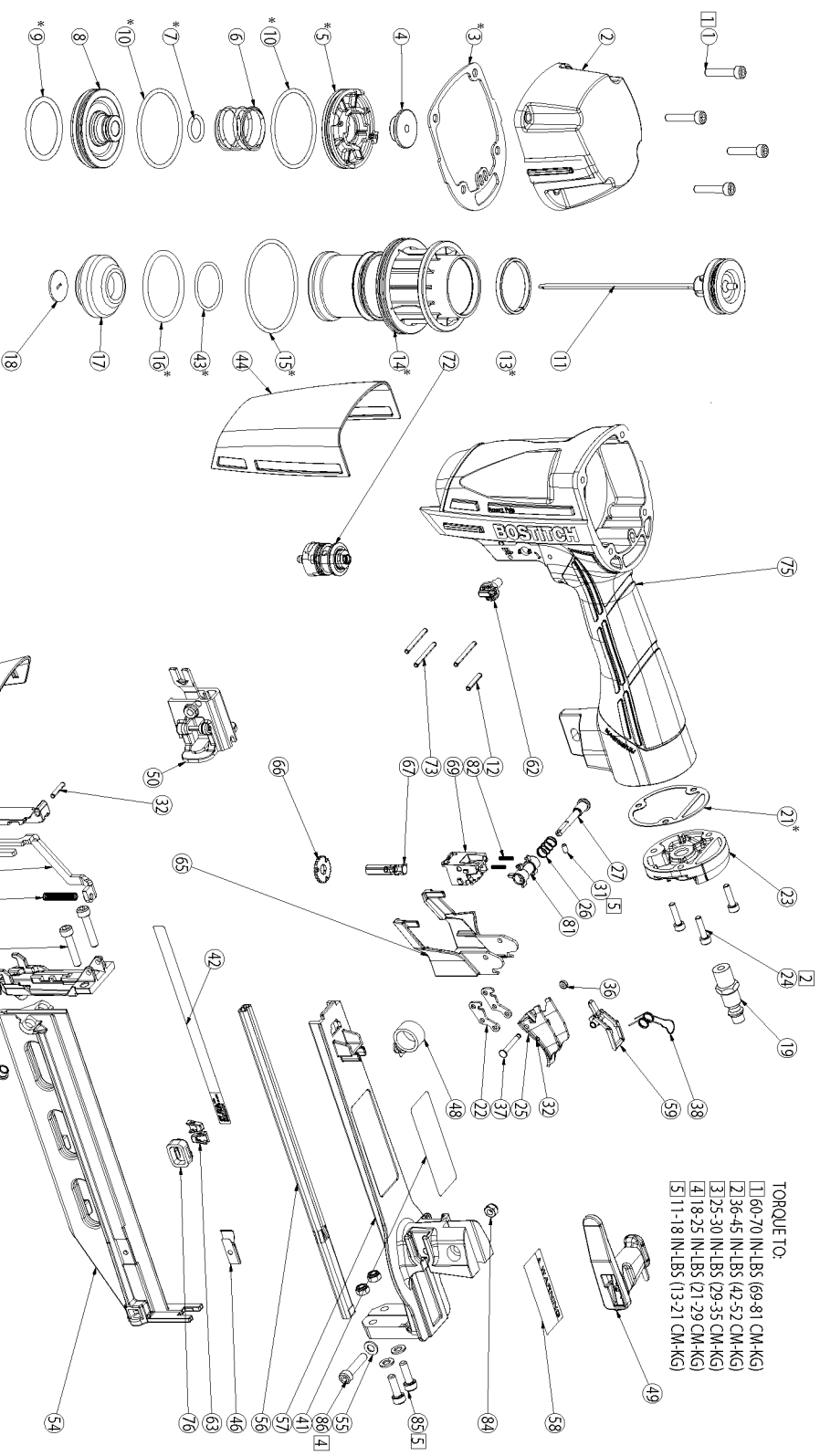


BTFP71917

- TORQUE TO:
- [1] 60-70 IN-LBS (69-81 CM-KG)
 - [2] 36-45 IN-LBS (42-52 CM-KG)
 - [3] 25-30 IN-LBS (29-35 CM-KG)
 - [4] 18-25 IN-LBS (21-29 CM-KG)
 - [5] 11-18 IN-LBS (13-21 CM-KG)



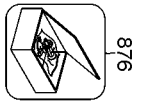
IP1402-1R8 04/15
TO BE USED WITH PARTS LIST IP1402-2 AND OPERATION AND MAINTENANCE

MANUAL 9R205625.

[1] [80]

[3] [53]

* INCLUDED IN REBUILD KIT



876

Parts List for BTFP71917 Type 15150000 and higher

Item Number	Part Number	Description	Qty Required
1	MSC5080-25	SCREW-SHCS-M5X0.80X2	6
2	9R198749	CAP ASSEMBLY	1
3	9R198753	FRAME/CAP GASKET	1
4	180533	SEAL	1
5	180230	SEAL-HEAD VALVE	1
6	180532	SPRING-HEAD VALVE	1
7	100843	O-RING-.543X.094	1
8	180537	HEAD VALVE	1
9	182253	O-RING	1
10	850605	O-RING-1.925X.103-NB	2
11	180292	ASSEMBLY-PISTON/DRIV	1
12	107583	PIN SPRING	1
13	180543	RING-PISTON	1
14	180538	SLEEVE-CLYNINDER	1
15	166047	O-RING	1
16	180540	O-RING-41.7MMX3.5MM	1
17	180549	BUMPER	1
18	180293	DRIVER GUIDE	1
19	152183	CONNECTOR MALE 1/4NP	1
21	180463	GASKET-END CAP	1
22	9R201812	FLAT TRIGGER BRKT	2
23	180465	END CAP	1
24	MSC4070-16	SCREW-SHCS-M4X0.7X16	1
25	9R205611	TRIGGER ASSEMBLY	1
26	180481	SPRING-MODE SWITCH	1
27	9R195255	MODE SWITCH PIN	1
31	9R198788	SET SCREW	1

Parts List for BTFP71917 Type 151500000 and higher

Item Number	Part Number	Description	Qty Required
32	181920	PIN SPRING	1
36	391814-00	GROMMET	1
37	9R196682	TRIGGER PIN	1
38	9R205607	TRIGGER SPRING	1
40	9R217765	LATCH ASSEMBLY	1
41	180296	LABEL-WARNING	1
42	9R205587	PRDCT/FASTENER LABEL	1
43	180544	O-RING-31.0MMX2.0MM	1
44	9R198752	FRAME COVER	1
46	180564	STOP	1
48	9R205585	SPRING PUSHER	1
49	9R202294	ASSEMBLY BELT HOOK	1
50	9R205613	PUSHER ASSEMBLY	1
52	180235	COLLAR	2
53	MSC5080-12	SCREW-SHCS-M5X0.8X12	2
54	181916	MAGAZINE	1
55	180569	WASHER-PLAIN-D5X10X1	3
56	180560	GUIDE,NAIL	1
57	180236	MAGAZINE	1
58	180582	LABEL-WARNING	1
59	9R205614	LARGE TRIGGER ROCKER	1
61	9R198750	NOSE COVER	1
62	9R195254	MODE SWITCH BUTTON	1
63	9R198756	PAD	3
64	9R198754	CONTACT TRIP	1
65	9R198751	CONTACT ARM COVER	1
66	9R198779	ADJUSTING DIAL	1

Parts List for BTFP71917 Type 15150000 and higher

Item Number	Part Number	Description	Qty Required
67	9R205583	UPPER CONTACT ASSEM	1
68	9R205580	SPRING	1
69	9R205579	EXTENDED TRIP GUIDE	1
72	TVA17	TRIGGER VALVE	1
73	174345	PIN SPRING	3
75	9R198748	FRAME	1
76	9R205581	CONTACT FOOT HOLDER	1
80	9R198726	NOSE	1
81	9R201813	CHECK PAWL	1
82	9R201809	SPRING, CHECK PAWL	2
83	9R198730	COVER	1
84	MHE5080-100	NUT-NYLON M5X.80	3
85	MSC5080-16	SCREW-SHCS-M5X0.80X1	2
86	MSC5080-22	SCREW-SHCS-M5X0.8X22	1
876	000000-00	No Longer Available	1
876	TVA15RF	ACTUATOR ASSY.	1