



CORDLESS IMPACT DRIVER BTD120SA

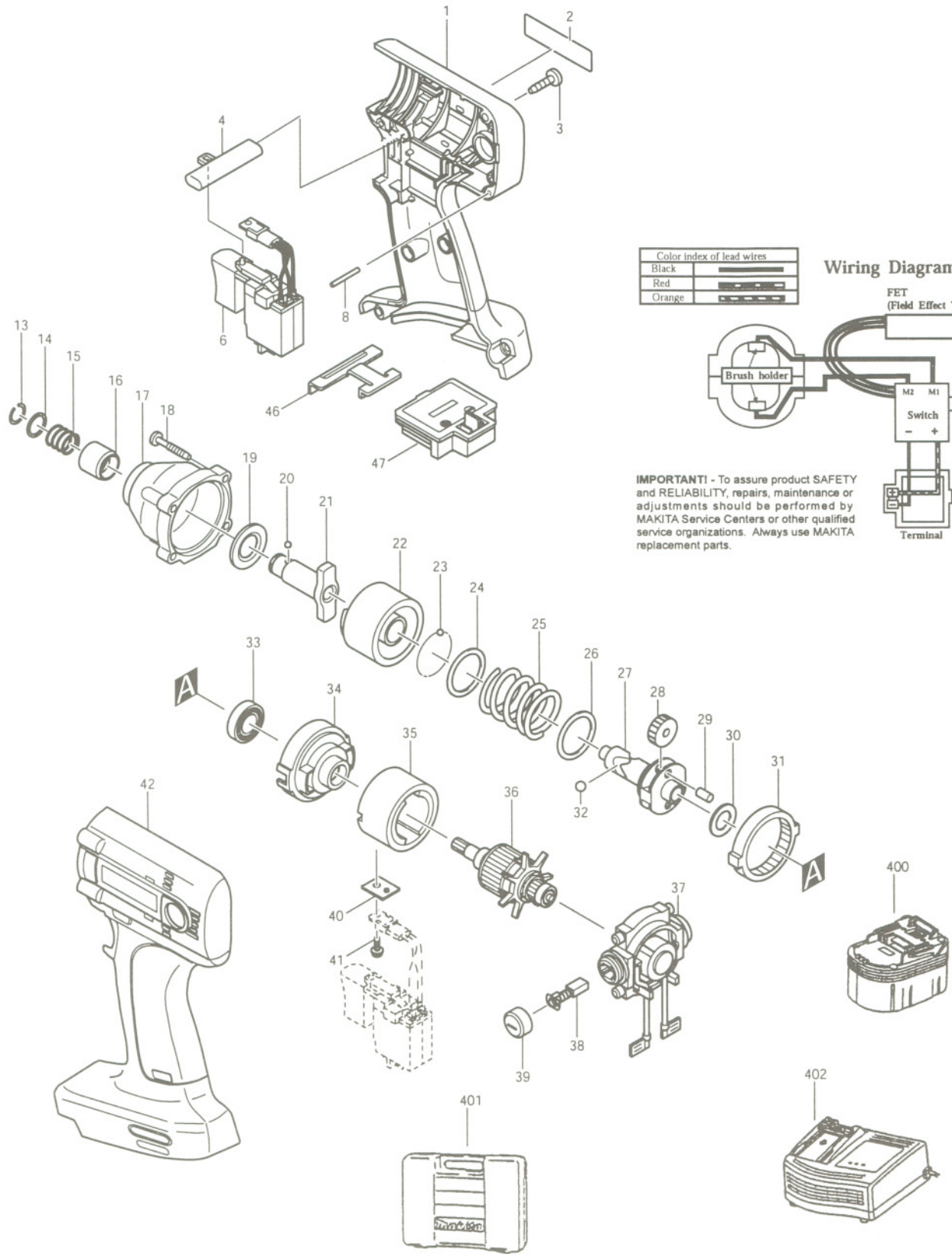


Fig.	Part No.	Qty. Used	DESCRIPTION	Fig.	Part No.	Qty. Used	DESCRIPTION
1	183347-8	1	HOUSING SET (Incl.Fig. 42)	30	267212-0	1	FLAT WASHER 12
2	853040-5	1	NAME PLATE BTD120	31	227001-5	1	INTERNAL GEAR 51
3	265995-6	7	TAPPING SCREW 4X18	32	216011-7	2	STEEL BALL 5.6
4	416079-5	1	F/R CHANGE LEVER	33	211140-1	1	BALL BEARING 6901LLB
6	650507-2	1	SWITCH	34	417269-3	1	INTERNAL GEAR CASE
8	256176-3	1	PIN 2.5	35	632964-6	1	YOKE UNIT
13	231951-8	1	RING SPRING 11	36	619057-6	1	ARMATURE
14	267085-1	1	FLAT WASHER 12	37	632969-6	1	ENDBELL COMPLETE
15	233005-7	1	COMPRESSION SPRING 13				(Incl. 2ea. RECEPTACLE 654069-2)
16	322434-0	1	SLEEVE	38	191975-5	1	CARBON BRUSH SET CB-431
17	151947-2	1	HAMMMER CASE COMPLETE	39	643933-2	2	BRUSH HOLDER CAP
18	265999-8	4	TAPPING SCREW 4X25	40	689096-0	1	FET SPACER
19	261108-7	1	NYLON WASHER 14	41	266170-7	1	TAPPING SCREW ST3X8
20	216001-0	2	STEEL BALL 3.5	42	183347-8	1	HOUSING SET (Incl.Fig. 1)
21	324013-0	1	ANVIL	46	344898-8	1	SUPPORT PLATE
22	323996-1	1	HAMMER	47	643955-2	1	TERMINAL
23	216001-0	25	STEEL BALL 3.5				
24	267175-0	1	FLAT WASHER 24				<u>ACCESSORIES</u>
25	233276-6	1	COMPRESSION SPRING 25	400	193346-2	1	BATTERY BH1220
26	267175-0	1	FLAT WASHER 24	401	824632-7	1	PLASTIC CARRYING CASE
27	323994-5	1	SPINDLE				(Incl. 2ea.LATCH 417075-6)
28	226336-1	2	SPUR GEAR 22	402	DC14SA	1	CHARGER DC14SA
29	256253-1	2	PIN 5				

2 MODEL BTD120SA

04-01