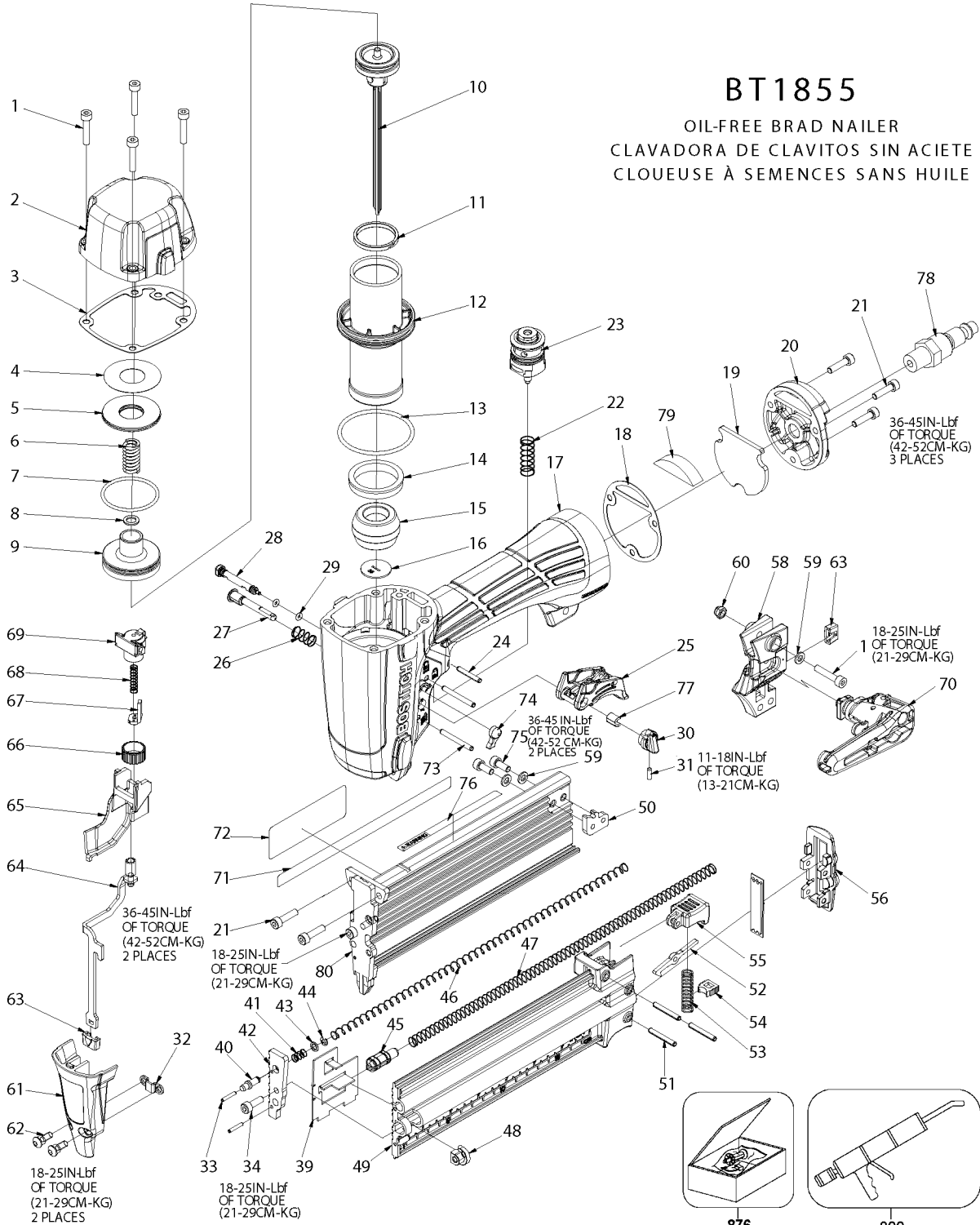


36-45IN-Lbf
OF TORQUE
(42-52CM-KG)
4 PLACES

BT1855

OIL-FREE BRAD NAILER
CLAVADORA DE CLAVITOS SIN ACIETE
CLOUEUSE À SEMENCES SANS HUILE



1
2
3
4
5
6
7
8
9

69
68
67
66
65
64
63
61
62

10
11
12
13
14
15
16
17
18
19
20
21
22
23
24
25
26
27
28
29
30
31
32
33
34
39
40
41
42
43
44
45
46
47
48
49
50
51
52
53
54
55
56
59
73
74
75
76
77
79

78
36-45IN-Lbf
OF TORQUE
(42-52CM-KG)
3 PLACES

60
58
59
63
18-25IN-Lbf
OF TORQUE
(21-29CM-KG)
1
70

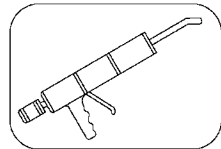
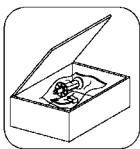
36-45 IN-Lbf
OF TORQUE
(42-52 CM-KG)
2 PLACES
59

11-18IN-Lbf
OF TORQUE
(13-21CM-KG)

36-45IN-Lbf
OF TORQUE
(42-52CM-KG)
2 PLACES

18-25IN-Lbf
OF TORQUE
(21-29CM-KG)

18-25IN-Lbf
OF TORQUE
(21-29CM-KG)



876

800

IP1279-1RG 03/11
TO BE USED WITH PARTS LIST IP1279-2 AND OPERATION AND MAINTENANCE MANUAL 9R180585.

Parts List for BT1855K Type 10152000 and Higher

Item Number	Part Number	Description	Qty Required
1	100260	SCREW	1
2	181917	ASSEMBLY-CAP	1
3	175682	GASKET-FRAME/CAP	1
4	180445	PLATE	1
5	180446	SEAL	1
6	180447	SPRING	1
7	180448	O RING	1
8	180449	WASHER FLAT	1
9	180450-S	HEAD VALVE BODY	1
10	180451	ASSEMBLY-PISTON/DRIV	1
11	180457	RING-PISTON	1
12	180458	SLEEVE-CYLINDER	1
13	180459	O-RING-44.7MMX2.4MM	1
14	180460	CHECK SEAL	1
15	180461	BUMPER	1
16	180462	DRIVER GUIDE	1
17	175656	FRAME-OVERMOLD	1
18	180463	GASKET-END CAP	1
19	182235	AIR FILTER	1
20	180465	END CAP	1
21	182237	SCREW	1
22	180476	SPRING-TRIGGER	1
23	TVA15	TRIGGER VALVE	1
24	180475	PIN-SPRING-M3X20MM	1
25	184513	ASSEMBLY-TRIGGER	1
26	180481	SPRING-MODE SWITCH	1
27	184507	PIN-MODE SWITCH	1

Parts List for BT1855K Type 10152000 and Higher

Item Number	Part Number	Description	Qty Required
28	184519	PIN-TRIGGER LOCK	1
29	MRG002514	O-RING-.098X.055	1
30	184506	BUTTON-MODE SWITCH	1
31	180484	SCREW-SET-M3X8MM	1
32	180207	BRACKET-TRIP	1
33	180490	PIN SPRING	1
34	MSC4070-12	SCREW-SHCS-M4X0.70X1	1
39	180498	PUSHER	1
40	180491	PLUNGER-LOCK OUT	1
41	180492	SPRING-LOCK OUT	1
42	175662	PLATE-CORE	1
43	180493	SPACER	1
44	180494	E-RING-2.5MM	1
45	180499	ROLLER-PUSHER	1
46	180496	PUSHER SPRING B	1
47	180495	PUSHER SPRING A	1
48	180238	SET NUT	1
49	181915	MAGAZINE-SLIDING	1
50	180500	REAR PLATE	1
51	180503	PIN SPRING	1
52	180501	LATCH	1
53	180502	SPRING-LATCH	1
54	180319	SUPPORT-LATCH SPRING	1
55	175666	COVER-LATCH	1
56	175665	END CAP-MAGAZINE	1
58	175664	BRACKET-MAGAZINE	1
59	180504	WASHER, FLAT	1

Parts List for BT1855K Type 10152000 and Higher

Item Number	Part Number	Description	Qty Required
60	MHE4070-100	ELASTIC STOP NUT-M4	1
61	175663	COVER-NOSE	1
62	180505	SHOULDER SCREW	1
63	179760	FOOT-CONTACT (NO MAR	1
64	180314	ASSEMBLY-TRIP	1
65	180508	GUIDE-LOWER CONTACT	1
66	180509	ADJUSTING KNOB	1
67	180510	ASSEMBLY-UPPER CONTA	1
68	180513	SPRING	1
69	180514	GUIDE-UPPER TRIP	1
70	180515	ASSEMBLY-BELT HOOK	1
71	180301	LABEL-PRODUCT/FASTEN	1
72	180296	LABEL-WARNING	1
73	174345	PIN SPRING	1
74	184518	BUTTON-TRIGGER LOCK	1
75	MSC4070-10	SCREW-SHCS-M4X0.70X1	1
76	181919	LABEL-WARNING	1
77	184508	BUSHING	1
79	180577	MUFFLER	1
80	175678	ASSMBLY FIX MAG BT18	1
800	100679	LUBE (1LB.CAN)	1
800	100653	LUBE (2CC)	1
876	TVA15RF	ACTUATOR ASSY.	1
876	BT55/SX38-RK	REBUILD KIT	1