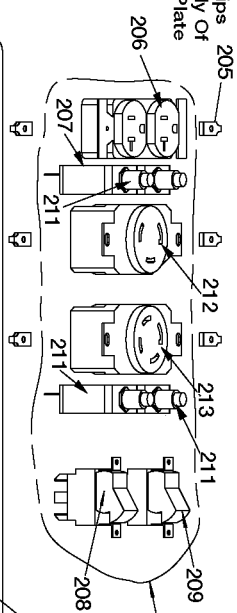
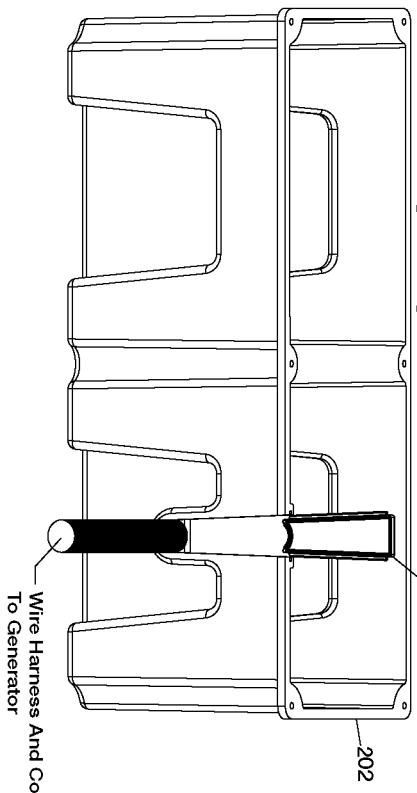


Attach Speed Clips 205
Prior To Assembly Of
Device To Face Plate



215 Wiring Harness To Be Routed Through
Panel Cover As Shown At Lower Right

214 Insert Clamp Into Grooves As Shown
Before Attaching Panel To Panel Cover



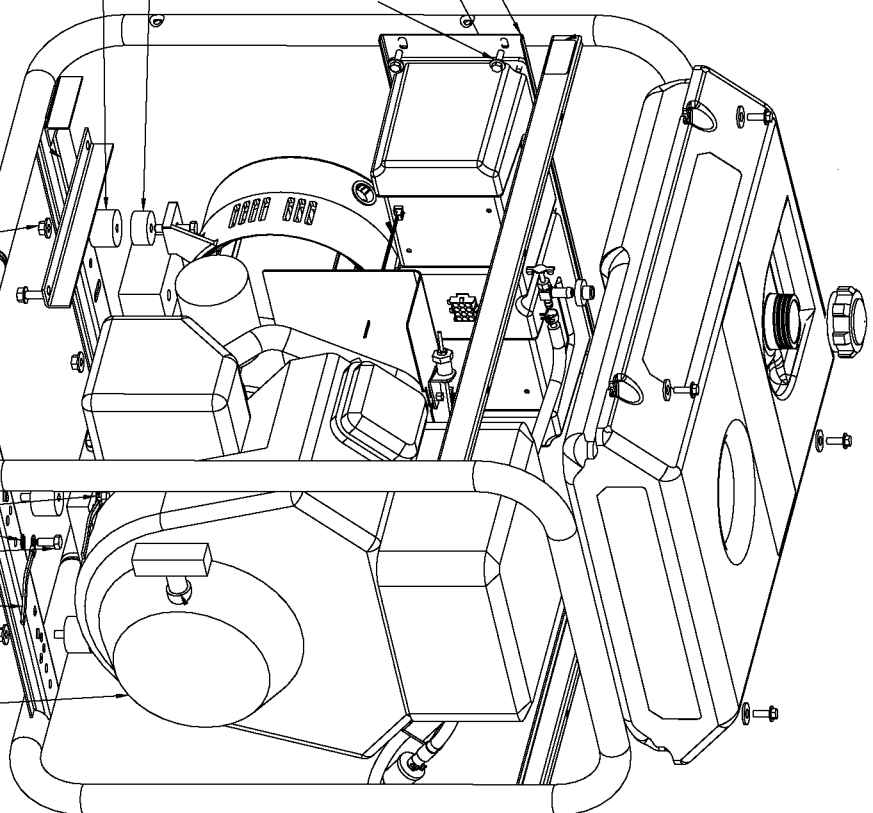
TORQUE 120-144 IN-LBS 17

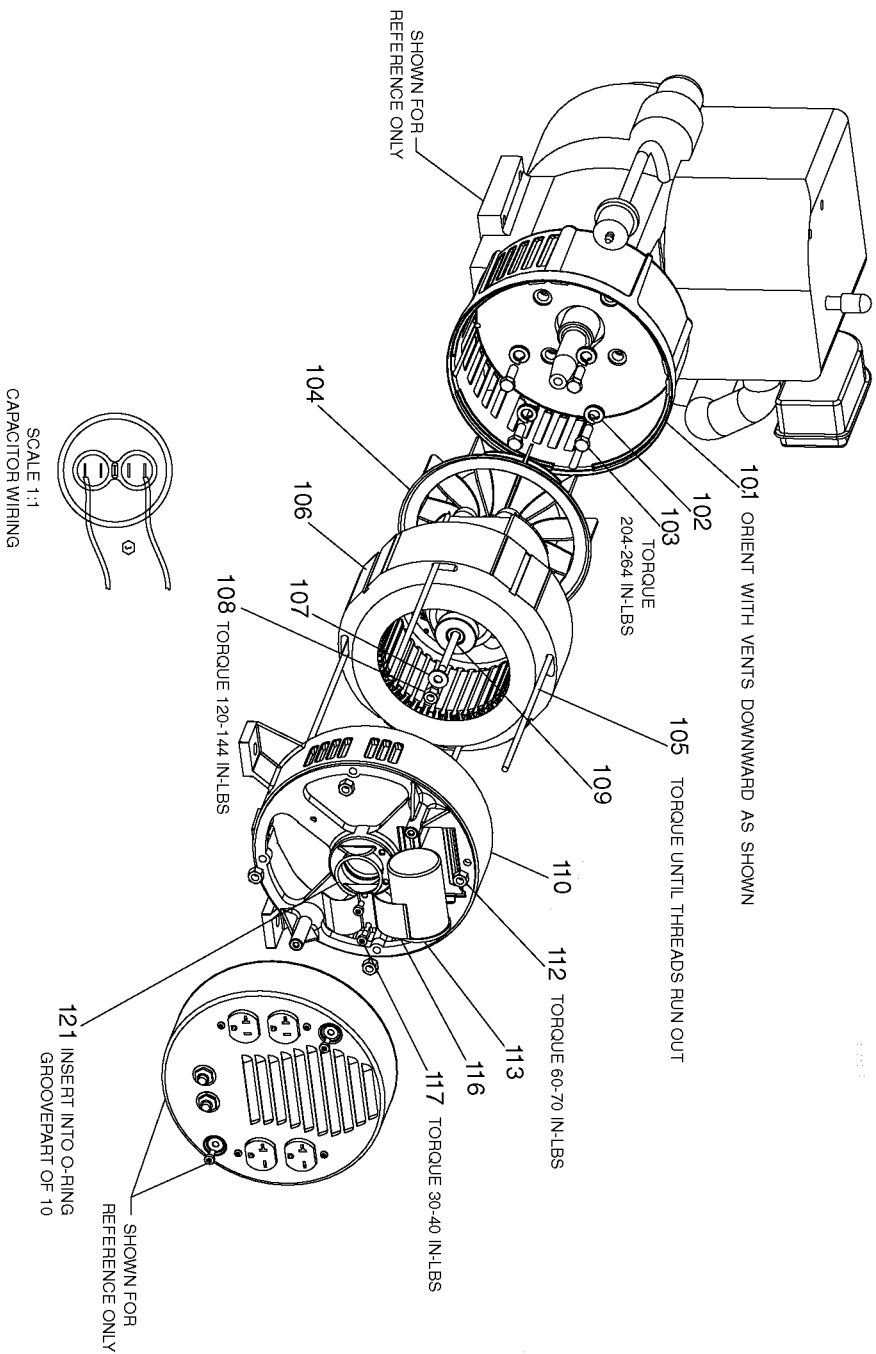
13
14
15
16

19
20

TORQUE 60-70 IN-LBS 1

23
43





Parts List for BSV800 Type 1

Item Number	Part Number	Description	Qty Required
1	91895680	SCREW .250-20X.750 H	1
2	Z-GS-0795	TANK FUEL 7G SS	1
3	GS-0443	CAP FUEL TANK	1
4	000000-00	No Longer Available	1
5	Z-D20236	ASSY FRAME GBV PCRE	1
7	GS-0077	COVER END BLANK	1
8	SSF-553-1	SCREW #10-24X.563 TH	1
9	Z-A14582	HOSE FUEL	1
10	GS-0227	CLAMP FUEL .50	1
11	N002562	SCREW	1
12	000000-00	No Longer Available	1
13	000000-00	No Longer Available	1
14	SS-12-CD	SCREW .313-18X.750 H	1
15	GS-0118	STRAP GROUND	1
16	N017772	LOCK WASHER	1
17	SSF-8150	NUT .312-18 UNC HEX	1
19	GS-0033	ISOLATOR VIBRATION 1	1
20	GS-0492	SPACER 5/16	1
21	GS-0117	LUG GROUND	1
24	GS-0437	DRAIN COCK	1
25	N103455	GROMMET	1
26	95829230	SCREW .313-18X1.50 H	1
38	000000-00	No Longer Available	1
39	SSN-632	WASHER .875 OD .375	1
101	000000-00	No Longer Available	1
102	SSN-619	WASHER .375 SPRING L	1
103	SSF-577	SCREW .375-16X1.00 H	1

Parts List for BSV800 Type 1

Item Number	Part Number	Description	Qty Required
104	000000-00	No Longer Available	1
104	D29822	KIT SERVICE FOCUS MO	1
105	GS-0273	BOLT STATOR THRU 207	1
106	000000-00	No Longer Available	1
106	D29822	KIT SERVICE FOCUS MO	1
107	330016-13	WASHER	1
108	SSF-576	NUT .313-24 HEX W/KE	1
109	GS-0274	BOLT ROTOR THRU 207L	1
110	Z-GS-0861	KIT ORING BEARING SU	1
112	SSF-575	NUT .250-20 HEX W/KE	1
113	GS-0592	CAPACITOR 35uF 3% 37	1
116	GS-0595	BRACKET CAPACITOR 2.	1
117	SSF-553-1	SCREW #10-24X.563 TH	1
121	GS-0862	O-RING ROTOR BEARING	1
201	000000-00	No Longer Available	1
202	000000-00	No Longer Available	1
203	SSF-3156	SCREW #10-9X.500 THD	1
204	SSF-583	SCREW #6-32X.500 PAN	1
205	SSF-584	NUT #6-32 SPEED SELF	1
206	GS-0019	RECEPTACLE 120V 20A	1
207	D21508	BREAKER CIRCUIT	1
208	GS-0045	SWITCH FULL POWER	1
209	GS-0046	SWITCH OFF - ON / ST	1
210	SSF-595	NUT .438-28 UNEF HEX	1
211	GS-0026	BREAKER CIRCUIT 125/	1
212	GS-0021	RECEPTACLE 125V 30A	1
213	GS-0455	RECEPTACLE 4 PRONG 3	1

Parts List for BSV800 Type 1

Item Number	Part Number	Description	Qty Required
214	D26113	CLAMP MOLDED STRESS	1
215	000000-00	No Longer Available	1