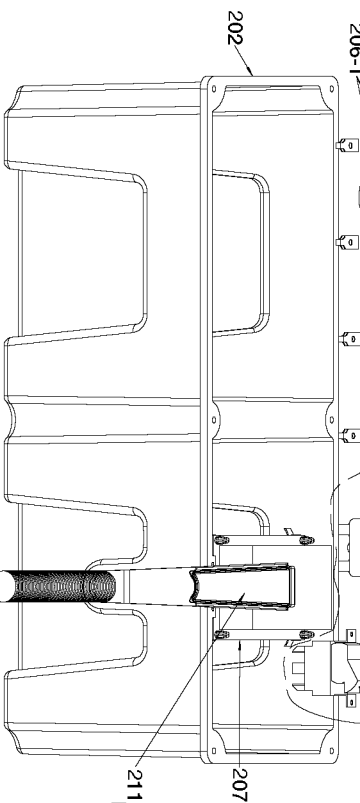
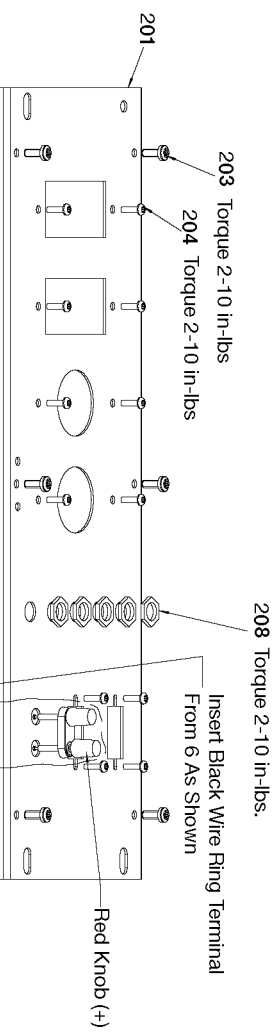
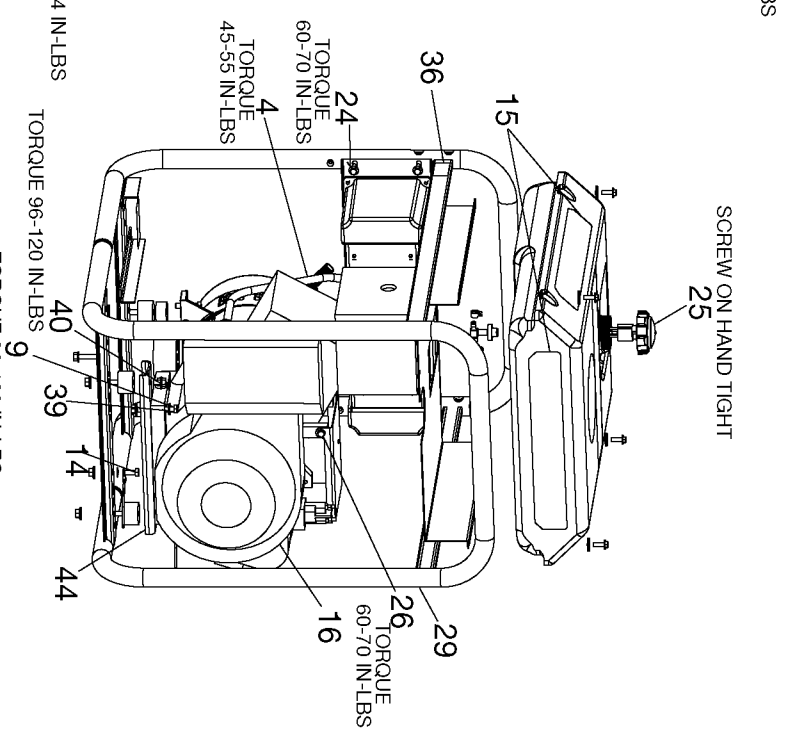
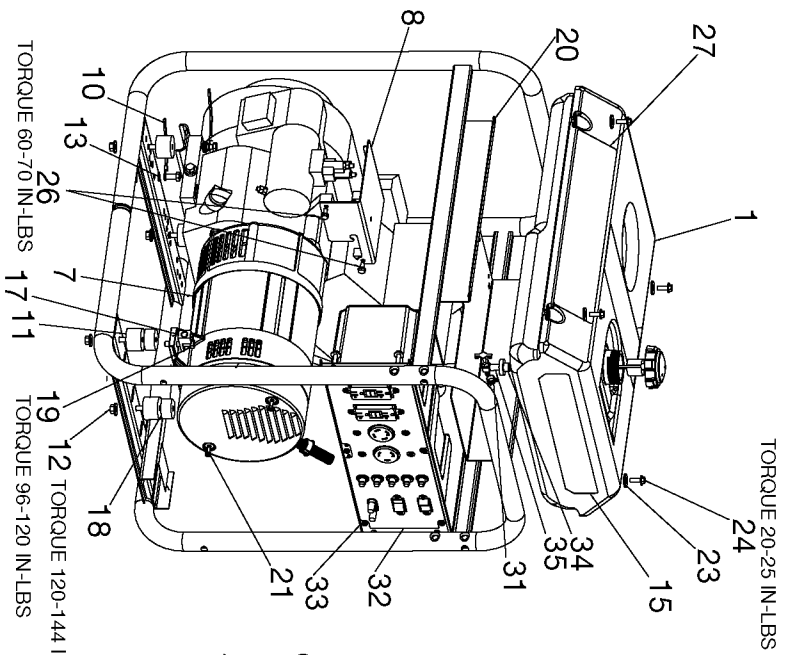


Attach Speed Clips Prior To Assembly Of Devices To Face Plate



211 Insert Clamp Into Grooves As Shown Before Attaching Panel to Panel Cover



BLACK WIRES FROM
ENGINE ROUTE BETWEEN
ENGINE FACIA AND CARBURATOR

BROWN AND GREY WIRE
TORQUE 40-50 IN-LBS 46

TO BATTERY SIDE OF
STARTER SOLENOID

RED WIRE FROM ENGINE

47

PINK WIRE
TO BATTERY SIDE OF
STARTER SOLENOID

PLUG LIGHT BLUE WIRE INTO SOLENOID

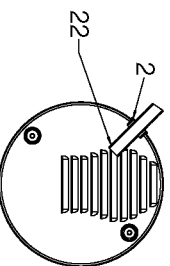
PLUG INTO DOUBLE FEMALE BULLET
CONNECTOR (BLACK WIRES)
FROM ENGINE BLOCK

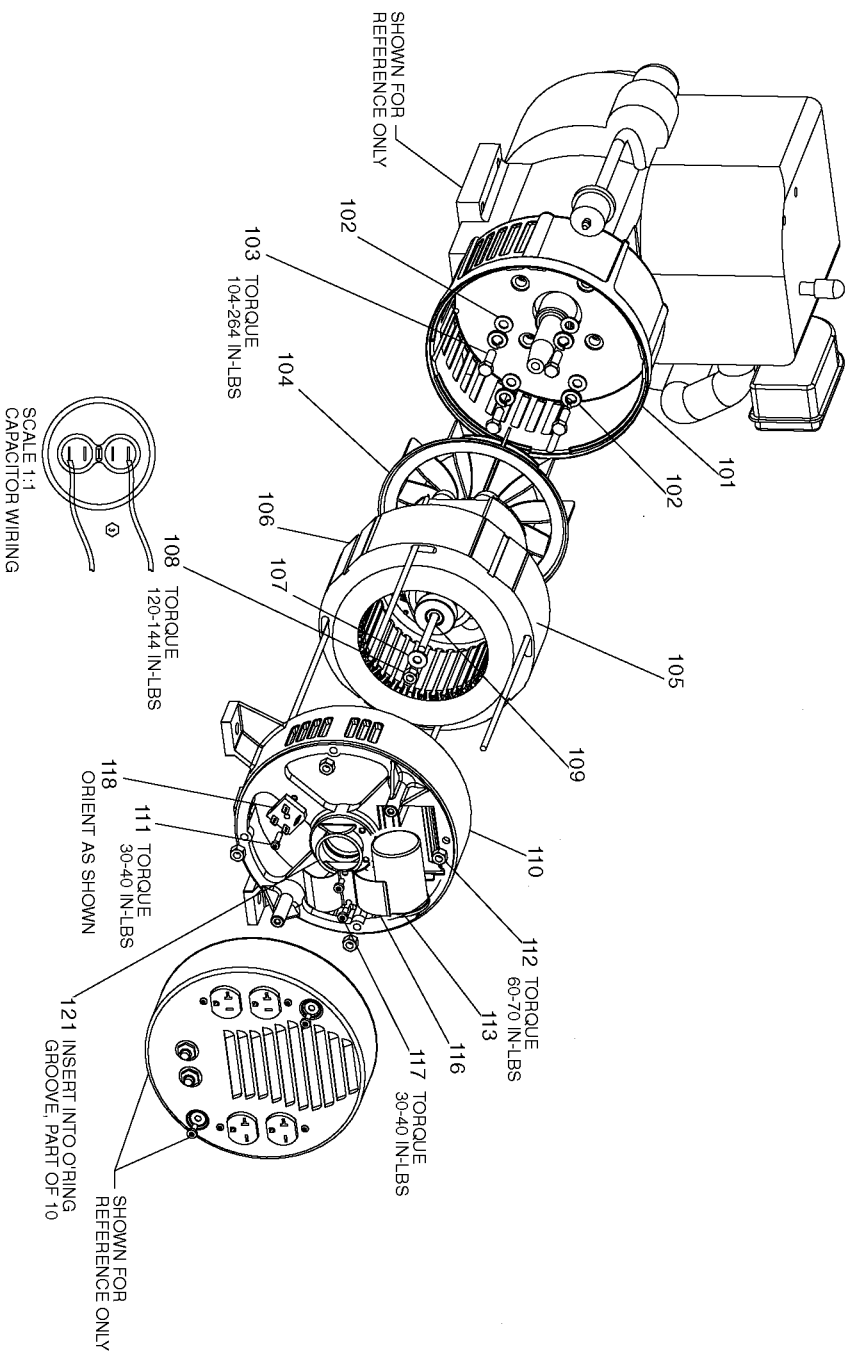
YELLOW WIRE

PLACE INTO SLOT IN
WIRES MUST NOT INTERFERE
WITH ENGINE LINKAGES

SNAP INTO REAR PANEL ASSEMBLY

22





Parts List for BSV750-W Type 2

Item Number	Part Number	Description	Qty Required
1	Z-GS-0795	TANK FUEL 7G SS	1
2	GS-0199	BUSHING SNAP 1 OD	1
3	000000-00	No Longer Available	1
4	Z-A14582	HOSE FUEL	1
5	000000-00	No Longer Available	1
9	95829230	SCREW .313-18X1.50 H	1
10	GS-0118	STRAP GROUND	1
11	GS-0033	ISOLATOR VIBRATION 1	1
12	SSF-8150	NUT .312-18 UNC HEX	1
13	N017772	LOCK WASHER	1
14	SS-12-CD	SCREW .313-18X.750 H	1
16	000000-00	No Longer Available	1
17	GS-0117	LUG GROUND	1
18	GS-0492	SPACER 5/16	1
20	D24273	SHIELD HEAT BSV GHC	1
21	SSF-553-1	SCREW #10-24X.563 TH	1
22	GS-0077	COVER END BLANK	1
23	SSN-632	WASHER .875 OD .375	1
24	91895680	SCREW .250-20X.750 H	1
25	GS-0863	CAP FUEL W/GAUGE	1
26	000000-00	No Longer Available	1
29	000000-00	No Longer Available	1
31	GS-0227	CLAMP FUEL .50	1
34	N103455	GROMMET	1
35	GS-0437	DRAIN COCK	1
39	330016-13	WASHER	1
40	000000-00	No Longer Available	1

Parts List for BSV750-W Type 2

Item Number	Part Number	Description	Qty Required
44	000000-00	No Longer Available	1
46	SSF-575	NUT .250-20 HEX W/KE	1
47	000000-00	No Longer Available	1
101	000000-00	No Longer Available	1
102	SSN-619	WASHER .375 SPRING L	1
103	SSF-577	SCREW .375-16X1.00 H	1
104	GS-0872	RESISTOR 10K OHM	2
104	000000-00	No Longer Available	1
104	D29822	KIT SERVICE FOCUS MO	1
104	GS-0871	DIODE 10AMP 1000V	2
105	GS-0273	BOLT STATOR THRU 207	1
106	000000-00	No Longer Available	1
106	D29822	KIT SERVICE FOCUS MO	1
107	330016-13	WASHER	1
108	SSF-576	NUT .313-24 HEX W/KE	1
109	GS-0315-1	BOLT ROTOR THRU 207L	1
110	Z-GS-0861	KIT ORING BEARING SU	1
111	SSF-3158-1	SCREW #10-24X.750 TH	1
112	SSF-575	NUT .250-20 HEX W/KE	1
113	GS-0748	CAPACITOR 40UF 370V	1
116	GS-0595	BRACKET CAPACITOR 2.	1
117	SSF-553-1	SCREW #10-24X.563 TH	1
118	GS-0767	RECTIFIER	1
121	GS-0862	O-RING ROTOR BEARING	1
202	000000-00	No Longer Available	1
203	SSF-3156	SCREW #10-9X.500 THD	1
204	SSF-583	SCREW #6-32X.500 PAN	1

Parts List for BSV750-W Type 2

Item Number	Part Number	Description	Qty Required
205	SSF-584	NUT #6-32 SPEED SELF	1
206	D21508	BREAKER CIRCUIT	1
206	GS-0681	BREAKER CIRCUIT	1
206	GS-0644	RECEPTACLE GFCI 120V	1
206	GS-0021	RECEPTACLE 125V 30A	1
206	GS-0455	RECEPTACLE 4 PRONG 3	1
206	GS-0679	SWITCH IDLE CONTROL	1
206	GS-0046	SWITCH OFF - ON / ST	1
206	GS-0026	BREAKER CIRCUIT 125/	1
207	N080007	BOARD ASSY	1
208	SSF-595	NUT .438-28 UNEF HEX	1
209	Z-GS-0728	ASSY BINDING POST SS	1
210	GS-0835	ASSY RESISTOR DC SHU	1
211	D26113	CLAMP MOLDED STRESS	1