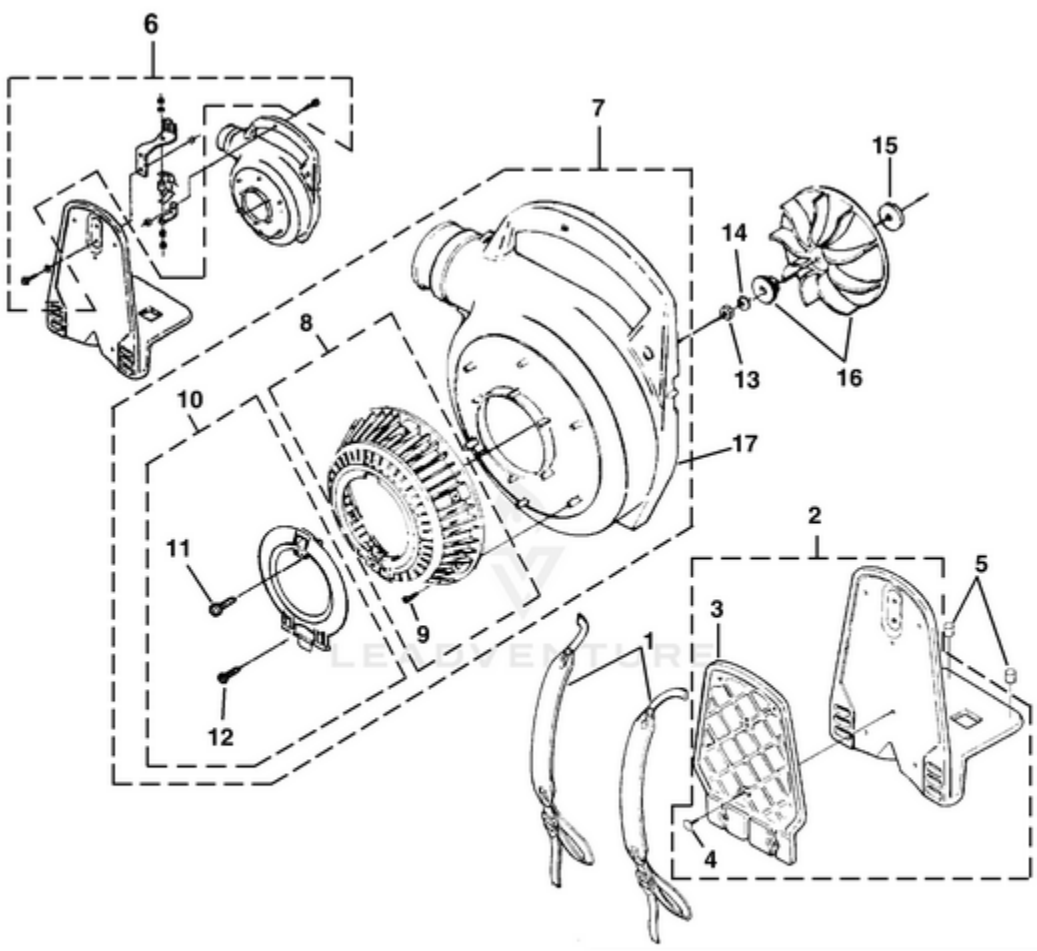


BP25175 Blower UT-08122 08122-UT BP25175 Blower UT-08122 BP25175 Blower - Back Pack, Tube Kit & Handle

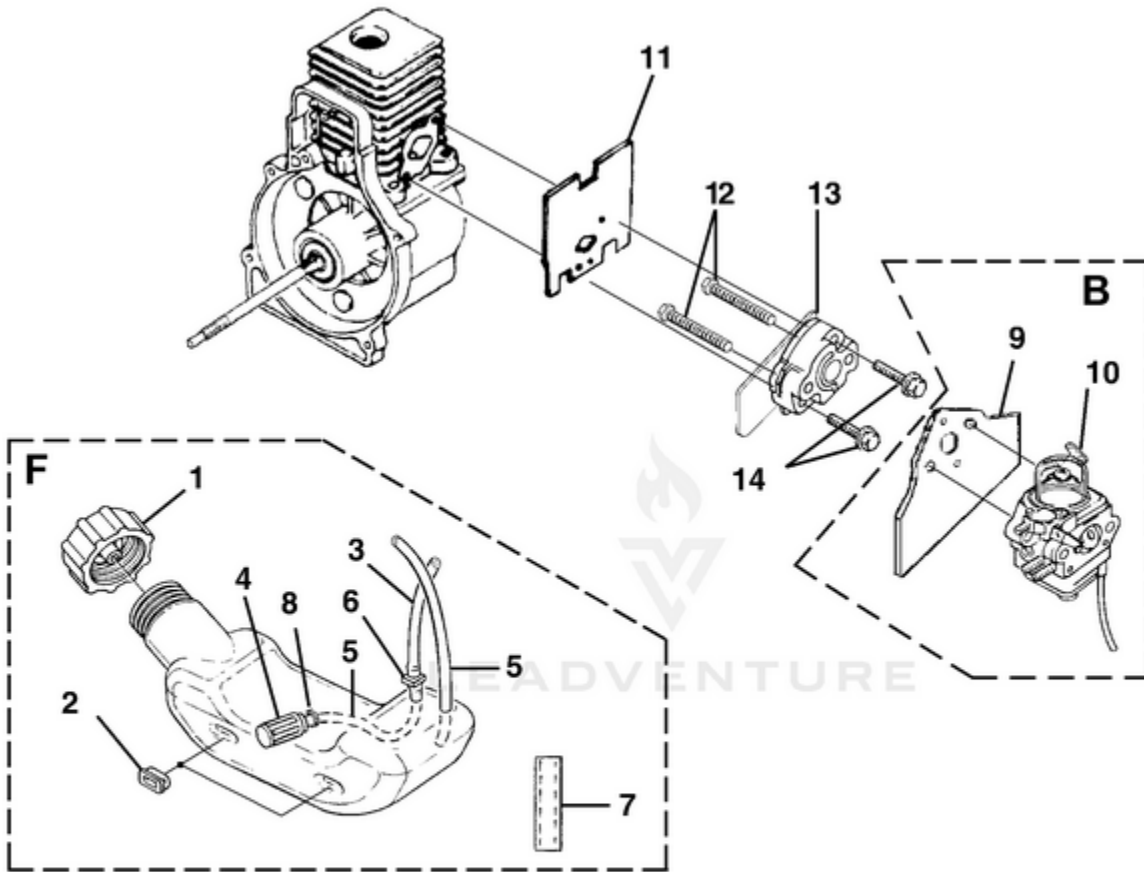


TORQUE SPECIFICATIONS			
Item No.	In/Lbs	Nm	Required Loctite
9	8-12	.9-1.4	
11	10-20	1.1-2.3	
12	8-12	.9-1.4	
13	130-150	14.7-17.0	

Rendered by LeadVenture, Inc.

<b>Ref #</b>	<b>Part #</b>	<b>Description</b>	<b>Qty</b>
1	01776	HARNESS-Shoulder	2
2	UP04405A	FRAME-Blower	1
3	PSO2023	PAD-Foam	1
4	01783	CLIP-Push	6
5	01770A	VIBRATION ISOLATOR	2
6	UP06885A	VIBRATION ISOLATOR KIT	1
7	984918001	VOLUTE HOUSING KIT	1
8	UP06720A	BLOWER VAC GRILLE KIT	1
9	82528	SCREW-Thread Form. (#6 X 3/8")	6
10	984910001	ACCESS DOOR KIT **	1
11	82312	SCREW-Thread Rolling (#10 X 5/8")	1
12	82376	SCREW-Thread Form. (#8 X 1/2")	1
13	81124A	NUT-Hex (3/8-24)	1
14	03163	WASHER-Bellville (3/8")	1
15	03165	WASHER-Flat	2
16	UP06826A	BLOWER FAN KIT	1
17	985121001	VOLUTE OUTER - SVC	1

BP25175 Blower UT-08122 08122-UT BP25175 Blower UT-08122 BP25175 Blower - Carburetor And Fuel Tank

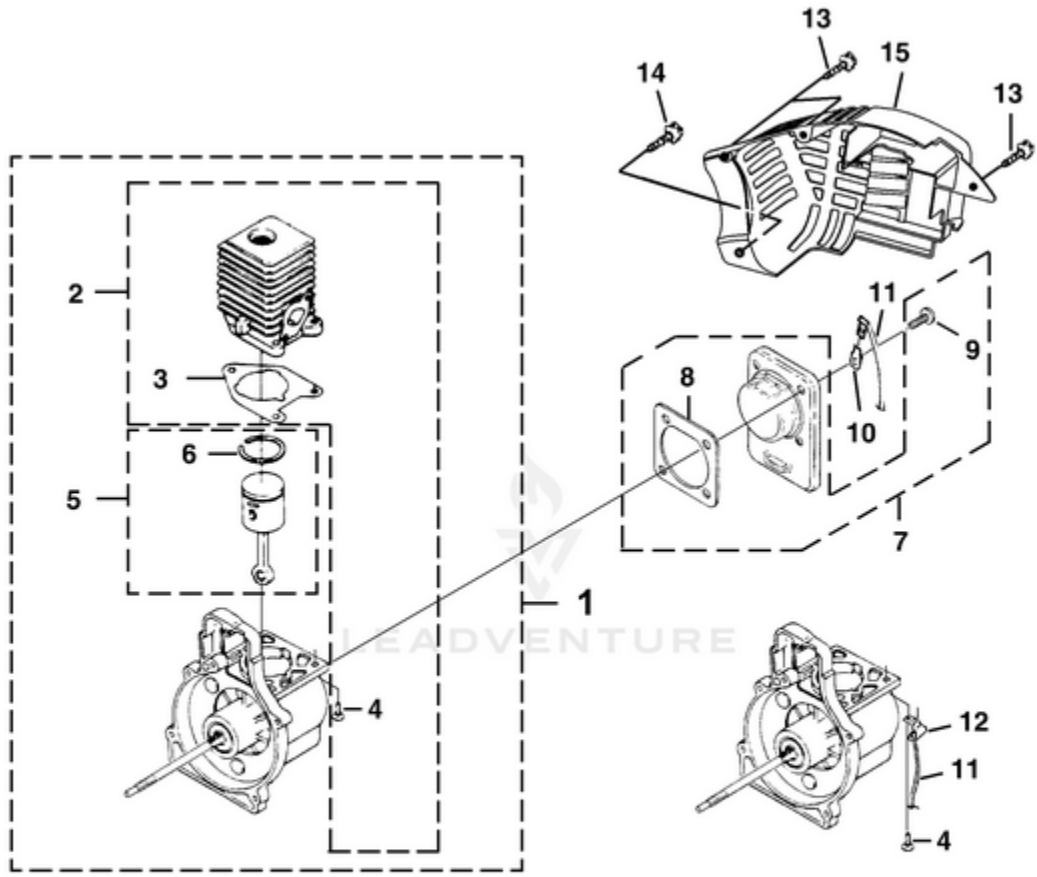


TORQUE SPECIFICATIONS			
Item No.	In/Lbs	Nm	Required Loctite
12	30-40	3.4-4.5	
14	40-50	4.5-5.6	262 Red

Rendered by LeadVenture, Inc.

Ref #	Part #	Description	Qty
F	UP00136A	FUEL TANK KIT	1
1	AO9116	FUEL CAP ( 1 5/8" Opening)	1
2	98792	BUMPER-Rubber	3
3	0143922	TUBING-Rubber (5.5")	1
4	PSO3380	FUEL FILTER	1
5	9477225	TUBING-Rubber (6 1/4")	2
6	07332	Fitting, Inlet	1
	02067	Fitting, Inlet	1
7	4283309	INSULATION-Tubing	1
8	98268	CLAMP	1
	06443A	GASKET-Crankcase	1
	PS01565	SCREW, Sems (10-24 x .56)	4
B	UP00010A	CARBURETOR KIT	1
9	987661	GASKET-Carburetor	1
10	UP03943	LEVER-Choke	1
B	UP00652	CARBURETOR KIT	1
9	98766A	GASKET-Carburetor	1
10	UP03943	LEVER-Choke	1
11	00775A	GASKET-Heat Dam	1
12	04474	CARB. BOLT	2
13	98768A	HEAT DAM	1
14	093221	USE 660662001	2

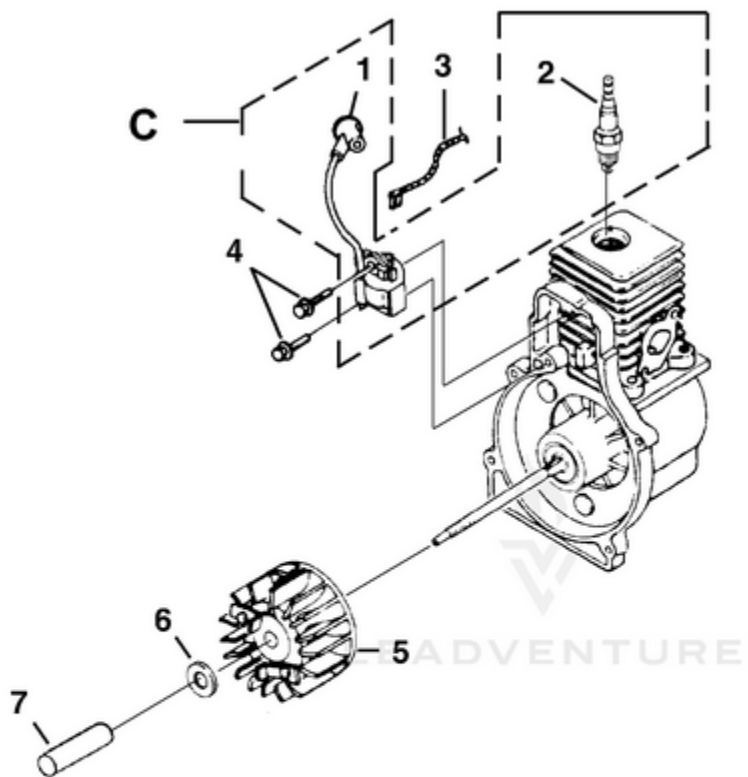
BP25175 Blower UT-08122 08122-UT BP25175 Blower UT-08122 BP25175 Blower - Engine Internal



TORQUE SPECIFICATIONS			
Item No.	In/Lbs	Nm	Required Loctite
4	55-65	6.2-7.3	262 Red
9	55-65	6.2-7.3	262 Red
13	8-12	.9-1.4	
14	20-30	2.3-3.4	

Rendered by LeadVenture, Inc.

<b>Ref #</b>	<b>Part #</b>	<b>Description</b>	<b>Qty</b>
1	UP03369A	SHORT BLOCK (25cc)	1
2	UP04136A	25 CC CYLINDER KIT	1
3	04388B	GASKET-Cylinder	1
	00394B	GASKET-Muffler	1
	00775A	GASKET-Heat Dam	1
4	PS02807	SCREW, SEMS (12-24 x 3/4)	3
5	984544001	25 CC PISTON & ROD	1
6	PS01359	RING-Piston	1
7	PS02130	CRANKCASE COVER-Stamped Steel	1
8	06443A	GASKET-Crankcase	1
9	PS01565	SCREW, SEMS (10-24 x .56)	4
10	02851	TAB-Male	1
11	PA00666	CABLE-Throttle w/Ignition Leads	1
12	A01767	CABLE BRACKET	1
13	82376	SCREW-Thread Form. (#8 X 1/2")	3
14	82563	SCREW-Thread Form. (#10 X 3/4")	1
15	UP06522A	SHROUD	1



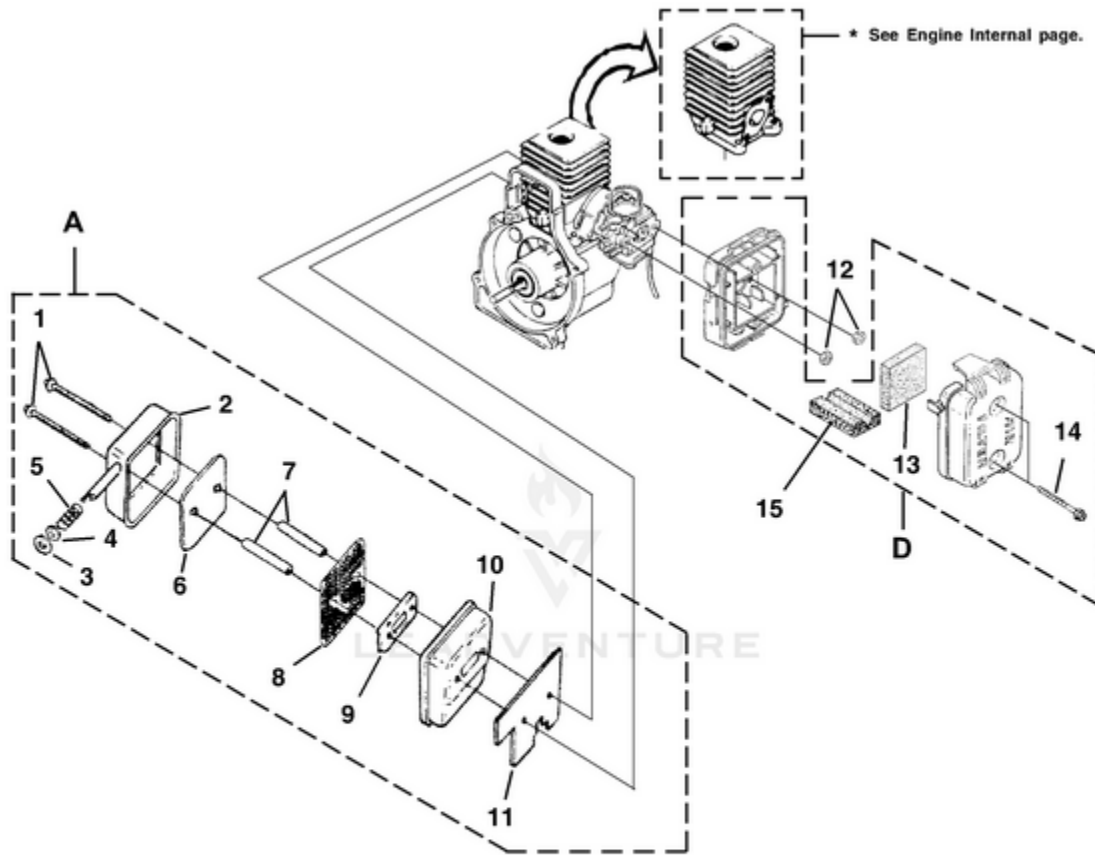
TORQUE SPECIFICATIONS			
Item No.	In/Lbs	Nm	Required Loctite
2	120-180	13.6-20.3	
4	30-40	3.4-4.5	242 Blue

Rendered by LeadVenture, Inc.

<b>Ref #</b>	<b>Part #</b>	<b>Description</b>	<b>Qty</b>
C	UP06784	IGNITION KIT w/ Module	1
1	UP03868	TERMINAL-Hi-Tension	1
2	PSO2227	SPARK PLUG (RDJ-7Y)	1
3	PA00666	CABLE-Throttle w/Ignition Leads	1
4	82540	SCREW-Thread Form. (8-32 x 1")	2
5	984531001	ROTOR & STARTER PAWLS	1
6	95479A	WASHER-Flat	1
7	PSO3566	SPACER-Fan	1



BP25175 Blower UT-08122 08122-UT BP25175 Blower UT-08122 BP25175 Blower - Muffler And Air Cleaner

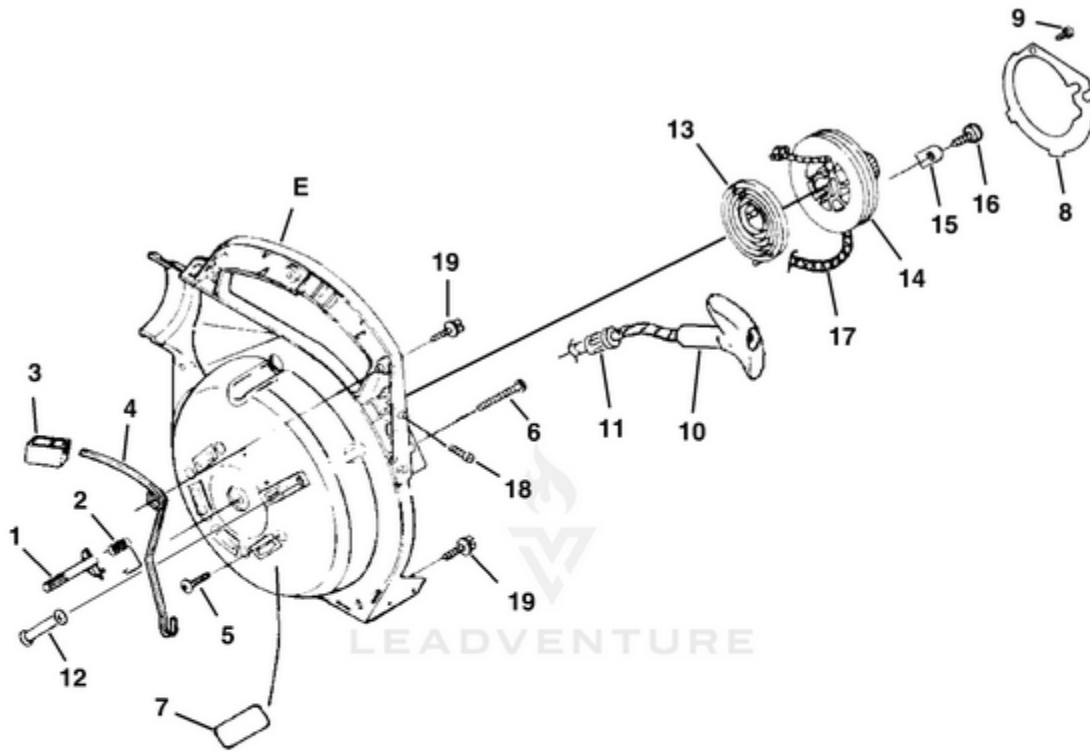


TORQUE SPECIFICATIONS			
Item No.	In/Lbs	Nm	Required Loctite
1	40-50	4.5-5.6	
12	30-40	3.4-4.5	
14	30-40	3.4-4.5	

Rendered by LeadVenture, Inc.

<b>Ref #</b>	<b>Part #</b>	<b>Description</b>	<b>Qty</b>
A	PA01181	MUFFLER-Complete	1
1	88060	SCREW-Sems Hex Hd. (10-24 x 2 1/2")	2
2	A00366	MUFFLER COVER	1
3	00381	WASHER-Insulating	1
4	84117	WASHER-Flat	1
5	00387	SPRING-Compression	1
6	00777	DEFLECTOR-Muffler	1
7	04785	SPACER-Muffler	2
8	00388B	SCREEN-Spark Arrestor	1
9	98783	PLATE-Reinforcing	1
10	98781	BODY-Muffler	1
11	00394B	GASKET-Muffler	1
12	81208	NUT-Hex (10-24)	2
D	UP00011	AIR FILTER KIT	1
13	98760	AIR FILTER	1
14	093221	USE 660662001	2
15	04857	FOAM AIR FILTER	1

BP25175 Blower UT-08122 08122-UT BP25175 Blower UT-08122 BP25175 Blower - Starter

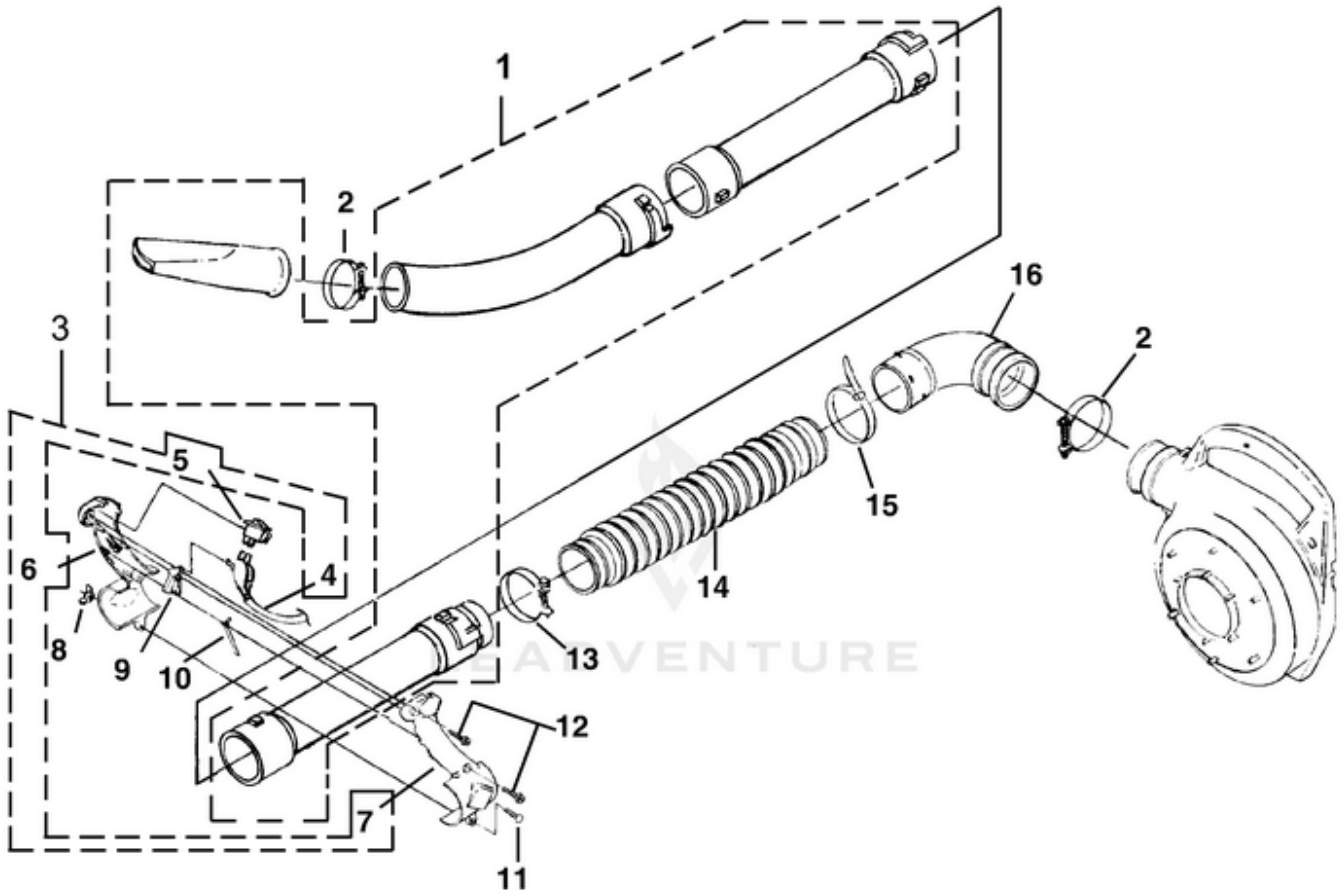


TORQUE SPECIFICATIONS			
Item No.	In/Lbs	Nm	Required Loctite
5	55-60	6.2-6.8	
6	20-30	2.3-3.4	
9	8-12	9-1.4	
16	30-40	3.4-4.5	
18	20-30	2.3-3.4	
19	20-30	2.3-3.4	

Rendered by LeadVenture, Inc.

<b>Ref #</b>	<b>Part #</b>	<b>Description</b>	<b>Qty</b>
1	00368A	LATCH-Throttle	1
2	00370	SPRING-Throttle Latch	1
3	00367	TRIGGER-Throttle	1
4	00369A	LEVER-Throttle	1
5	82538	SCREW-Thread Form. (10-24 X 3/4")	4
6	JA416903	SCREW-Thread Form. (#10 X 1 5/8")	1
E	UP06792A	VOLUTE HOUSING & STARTER	1
7	UP03822A	KIT-Sealing	1
8	00374	PLATE-Rotor	1
9	82528	SCREW-Thread Form. (#6 X 1 3/8")	1
10	5946702	GRIP-Starter (Yellow)	1
	PSO1200	GRIP-Starter (Yellow)	1
11	969811A	BUSHING-Starter	1
12	00364B	GUIDE-Starter Rope	1
13	A98773A	SPRING & CONTAINER	1
14	98770A	PULLEY-Starter	1
15	98791	BRACKET-Retaining	2
16	82541	SCREW-Thread Form. (#10 X 1/2")	2
17	9789901	ROPE-Starter	1
18	PS82146	SCREW-Phil. Hd. (8-32 X 5/8")	1
19	82563	SCREW-Thread Form. (10-24 X 3/4")	5

BP25175 Blower UT-08122 08122-UT BP25175 Blower UT-08122 BP25175 Blower - Tubes (UT08017L/  
 UT08083/UT08101/UT08122-All & UT08111/UT08097 Before SN MB0980001)



TORQUE SPECIFICATIONS			
Item No.	In/Lbs	Nm	Required Loctite
12	20-30	2.3-3.4	

Rendered by LeadVenture, Inc.

<b>Ref #</b>	<b>Part #</b>	<b>Description</b>	<b>Qty</b>
1	UP05582A	BLOWER TUBE KIT	1
2	00433B	CLAMP	2
3	UP03794A	HANDLE & SWITCH KIT	1
4	PA00666	CABLE-Throttle w/ Ignition Leads	1
5	985703001	SWITCH	1
6	03922	HANDLE-Control (Right)	1
7	03923	HANDLE-Control (Left)	1
8	81281	NUT - Wing (10-24)	1
9	94452B	TRIGGER	1
10	95906A	LATCH-Trigger	1
11	82375	BOLT-Rib Neck, Rnd. Hd. (10-24 X 7/8")	1
12	82563	SCREW-Thread Form. (10-14 X 3/4")	2
13	004331	CLAMP (#87)	1
14	01772	BELLOWS-Plastic	1
15	JA375487	CABLE-Tie	1
16	01771A	ELBOW-Curved	1