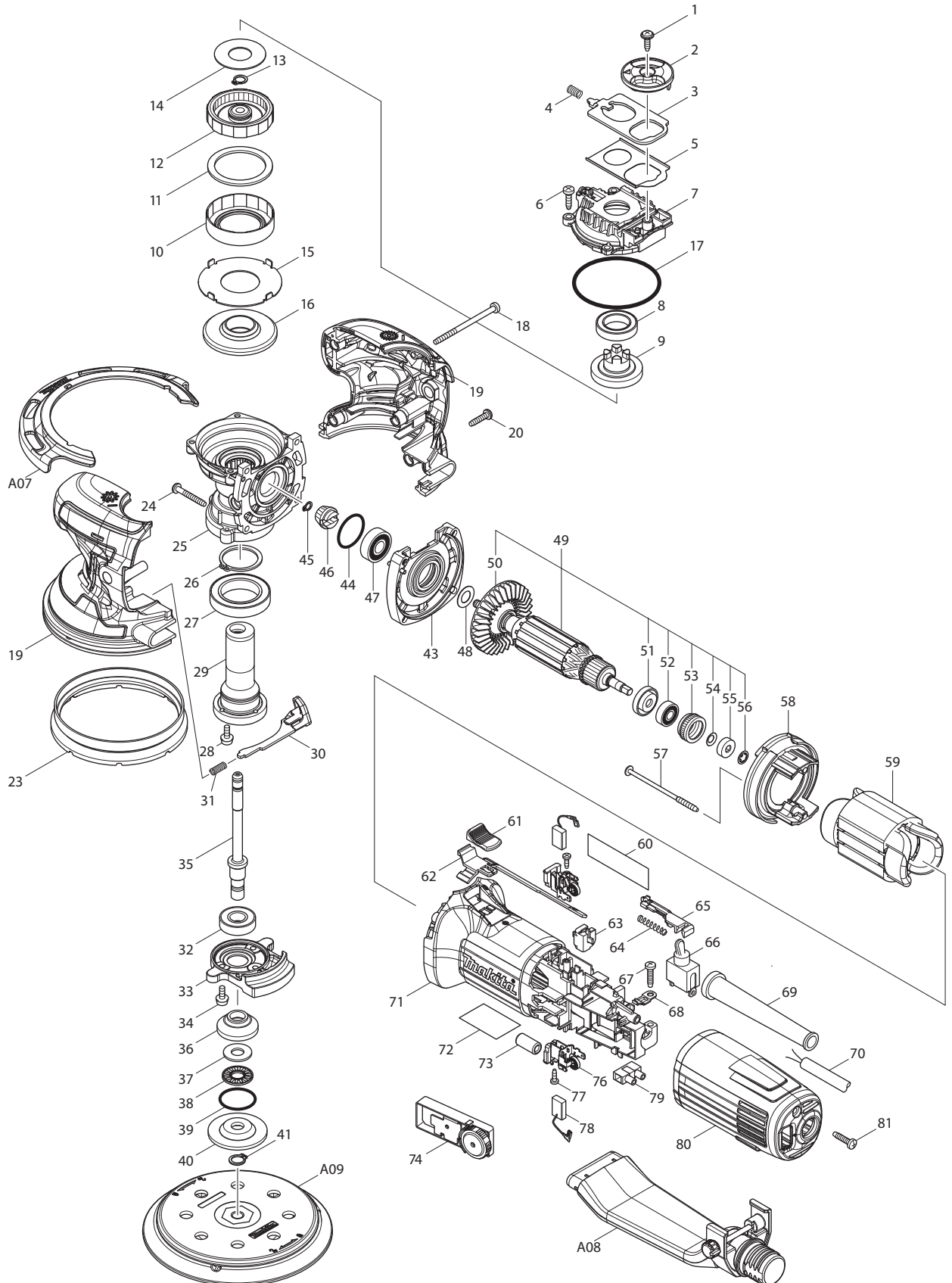




09 - 2015
BO6050J
6" RANDOM ORBIT SANDER



Item No.	Type	Ref	Part No.	Description	Qty	Unit
1			266901-4	TAPPING SCREW 4X14	1	PC.
2			456126-0	CHANGE KNOB	1	PC.
3			346914-2	CHANGE PLATE	1	PC.
4			231490-8	COMPRESSION SPRING 5	1	PC.
5			346913-4	GUIDE PLATE	1	PC.
6			266034-5	TAPPING SCREW CT 4X16	4	PC.
7			456117-1	TOP COVER	1	PC.
8			211333-0	BALL BEARING 6804LLU	1	PC.
9			227386-9	SPUR GEAR 31	1	PC.
10			424748-4	BRAKE RING	1	PC.
11			261157-4	SPONGE WASHER 40	1	PC.
12			227387-7	INTERNAL GEAR 34	1	PC.
13			961004-6	RETAINING RING S-8	1	PC.
14			267290-0	FLAT WASHER 18	1	PC.
15			346912-6	PLATE	1	PC.
16			227648-5	SPIRAL BEVEL GEAR 43	1	PC.
17			213707-1	O RING 65	1	PC.
18			266060-4	TAPPING SCREW 4X65	1	PC.
19			183B68-4	HEAD COVER SET	1	PC.
20			265995-6	TAPPING SCREW 4X18	4	PC.
23			424747-6	RUBBER GUARD	1	PC.
24			266050-7	TAPPING SCREW 4X30	4	PC.
25			143324-2	GEAR HOUSING COMPLETE	1	PC.
26			961110-7	RETAINING RING S-30	1	PC.
27			211445-9	BALL BEARING 6906DDW	1	PC.
28			911119-9	PAN HEAD SCREW M4X12	3	PC.
29			143325-0	OUTER SPINDLE COMPLETE	1	PC.
30			143376-3	SHAFT LOCK COMPLETE	1	PC.
31			233285-5	COMPRESSION SPRING 4	1	PC.
32			211131-2	BALL BEARING 6001DDW	1	PC.
33			319330-1	BALANCER	1	PC.
34			911119-9	PAN HEAD SCREW M4X12	3	PC.
35			143375-5	INNER SPINDLE COMPLETE	1	PC.
36			326582-7	COVER	1	PC.
37			253024-7	FLAT WASHER 10	1	PC.
38			216413-7	THRUST NEEDLE CAGE 1024	1	PC.
39			213445-5	O-RING 26	1	PC.
40			326581-9	FLANGE	1	PC.
41			961006-2	RETAINING RING S-10	1	PC.
43			143327-6	GEAR HOUSING COVER COMPLETE	1	PC.
44			213445-5	O-RING 26	1	PC.
45			961002-0	RETAINING RING S-6	1	PC.
46			227647-7	SPIRAL BEVEL GEAR 11	1	PC.
47			210059-1	BALL BEARING 6000DDW	1	PC.
48			253758-2	FLAT WASHER 10	1	PC.
49			513441-6	ARMATURE ASS'Y 115V	1	PC.
		INC.		Item No. 50-56		
50			240084-8	FAN 60	1	PC.
51			681636-0	INSULATION WASHER	1	PC.
52			210034-7	BALL BEARING 607LLB	1	PC.
53			421868-5	LABYRINTH RUBBER RING 19	1	PC.
54			267756-0	WAVE WASHER 6	1	PC.
55			688117-5	MAGNET SLEEVE	1	PC.
56			259039-2	SELF LOCK 6	1	PC.
57			266049-2	TAPPING SCREW 4X75	2	PC.
58			456116-3	BAFFLE PLATE	1	PC.

Item No.	Type	Ref	Part No.	Description	Qty	Unit
59			621771-2	FIELD 115V	1	PC.
60			851L09-5	NAME PLATE F/BO6050	1	PC.
61			419566-3	SWITCH KNOB	1	PC.
62			456122-8	FRONT SWITCH LEVER	1	PC.
63			456124-4	PICUP COIL COVER	1	PC.
64			233071-4	COMPRESSION SPRING 4	1	PC.
65			456123-6	REAR SWITCH LEVER	1	PC.
66			651423-1	SWITCH SINGLE	1	PC.
67			265995-6	TAPPING SCREW 4X18	1	PC.
68			687681-3	STRAIN RELIEF	1	PC.
69			682559-5	CORD GUARD 8	1	PC.
70			664064-4	CORD W/PLUG 2P-18-2.5M, SJ	1	PC.
71			456120-2	MOTOR HOUSING	1	PC.
72			807P04-7	INDICATION LABEL	1	PC.
74			620464-8	CONTROLLER	1	PC.
76			643770-4	BRUSH HOLDER	2	PC.
77			266007-8	TAPPING SCREW BIND PT 3X10	2	PC.
78			195001-2	CARBON BRUSH SET CB-325 2PC/SET W/ORIGIN	1	SET
79			654532-5	TERMINAL BLOCK 1P	1	PC.
80			456121-0	REAR COVER	1	PC.
81			265995-6	TAPPING SCREW 4X18	1	PC.
D01			652008-6	PAN HEAD SCREW M3.5X7	2	PC.
D02			654037-5	INSULATED TERM. FT1.25-M3	2	PC.
D05			654509-0	CONNECTOR 2-SD	1	PC.
ACCESSORIES			- Visit www.makita.ca for more accessories information -			
A01			143328-4	GRIP 36 COMPLETE	1	PC.
A02			197212-5	INTERLOCKING TOOL CASE L	1	PC.
	INC.		453974-8	LATCH	4	PC.
A04			807T73-2	INDICATION LABEL BO6050J F/CASE	1	PC.
A05			807T74-0	PLASTIC CARRYING CASE LABEL F/BO6050J	2	PC.
A06			----	6" HOOK & LOOP SANDING DISC		
A07			456127-8	PAD PROTECTOR	1	PC.
A08			143326-8	NOZZLE COMPLETE	1	PC.
A09			197314-7	PAD 6" (150MM) SOFT	1	PC.
			197315-5	PAD 6" (150MM) HARD	1	PC.
			197316-3	PAD 6" (150MM) SUPER SOFT	1	PC.
			197317-1	PAD 5" (130MM) POLISHING	1	PC.
A10			195546-0	FRONT CUFF 24	1	PC.