



FINISHING SANDER

Model BO4550
Model BO4550Z

IMPORTANT — To assure product **SAFETY** and **RELIABILITY**, repairs, maintenance or adjustments should be performed by **MAKITA** Service Centers or other qualified service organizations. Always use **MAKITA** replacement parts.

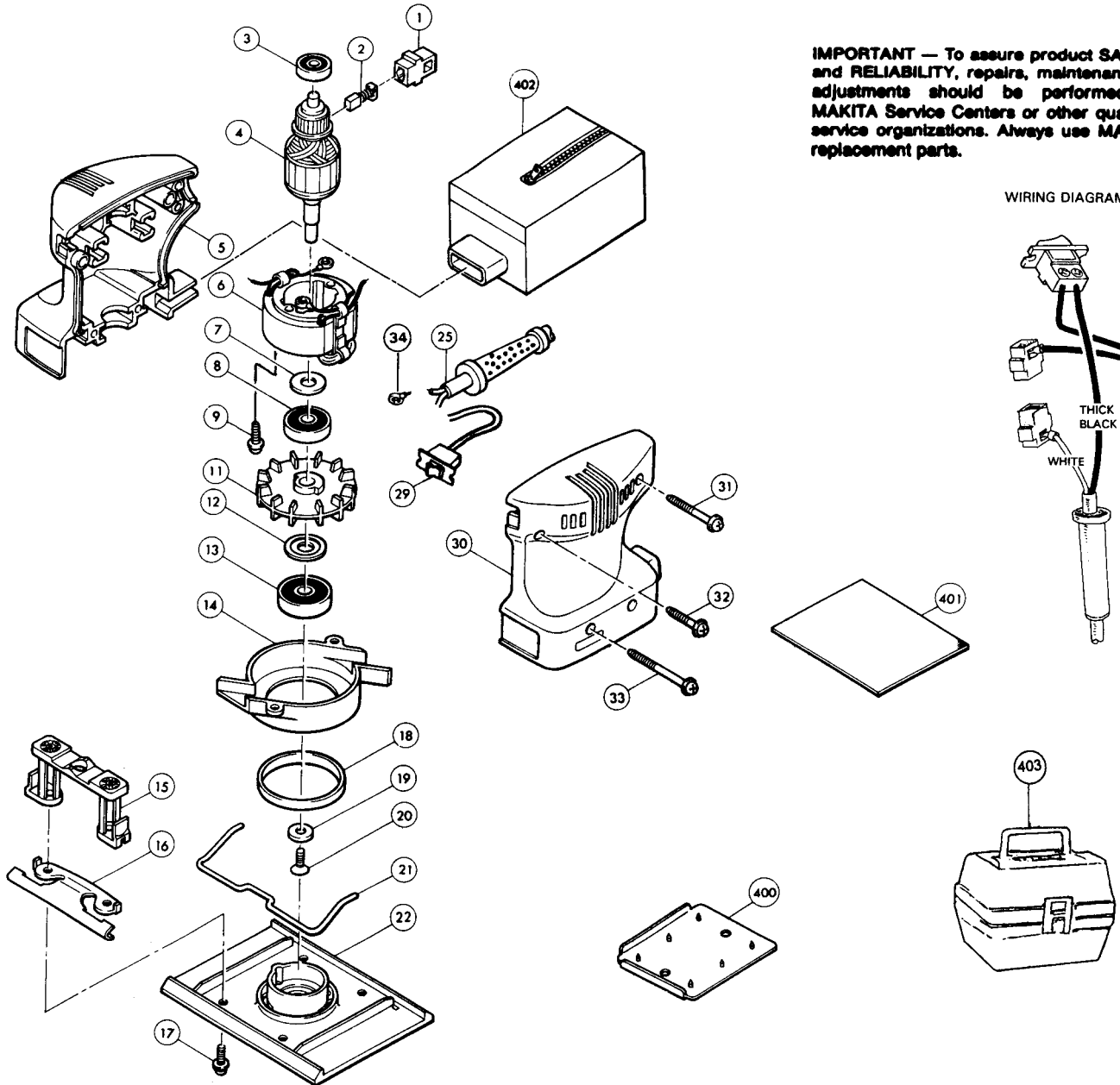


Fig.	Part No.	Qty. Used	Description
1	643552-4	2	BRUSH HOLDER
2	191956-9	2	CARBON BRUSH (CB-75)
3	211016-2	1	BALL BEARING 626LLB
4	611566-1	1	ARMATURE (Incl. Fig. 3,7&8)
5	181952-5	1	HOUSING SET (Incl. Fig. 30)
6	639302-3	1	FIELD
7	253214-2	1	FLAT WASHER 9
8	211092-6	1	BALL BEARING 629DDW
9	265871-4	2	TAPPING SCREW M4X16
11	241647-3	1	FAN
12	213051-6	1	DUST SEAL 10
13	211066-7	1	BALL BEARING 6200LLB
14	410752-9	1	BAFFLE PLATE
15	411343-9	2	FOOT
16	342986-5	2	CLAMPER
17	251364-7	4	P. H. SCREW M4X14
18	262512-3	1	RUBBER SLEEVE 48
19	253825-3	1	FLAT WASHER 6
20	912117-6	1	SCREW M4X12

Fig.	Part No.	Qty. Used	Description
21	321869-2	2	LEVER
22	151411-3	1	BASE (w/ Rubber Pin 263002-9)
25	664425-8	1	POWER SUPPLY CORD
29	651513-0	1	SWITCH
30	181952-5	1	HOUSING SET (Incl. Fig. 5)
31	265876-4	1	TAPPING SCREW 4X40
32	265875-6	1	TAPPING SCREW 4X25
33	265872-2	2	TAPPING SCREW 4X50
34	654078-1	1	TERMINAL RING

ACCESSORIES

400	163247-8	1	PUNCH PLATE
	742509-3	1	ABRASIVE PAPER #60
401	{ 742511-6	1	ABRASIVE PAPER #150
	742510-8	1	ABRASIVE PAPER #100
402	166027-1	1	DUST BAG
403	824427-8	1	PLASTIC TOOL CASE