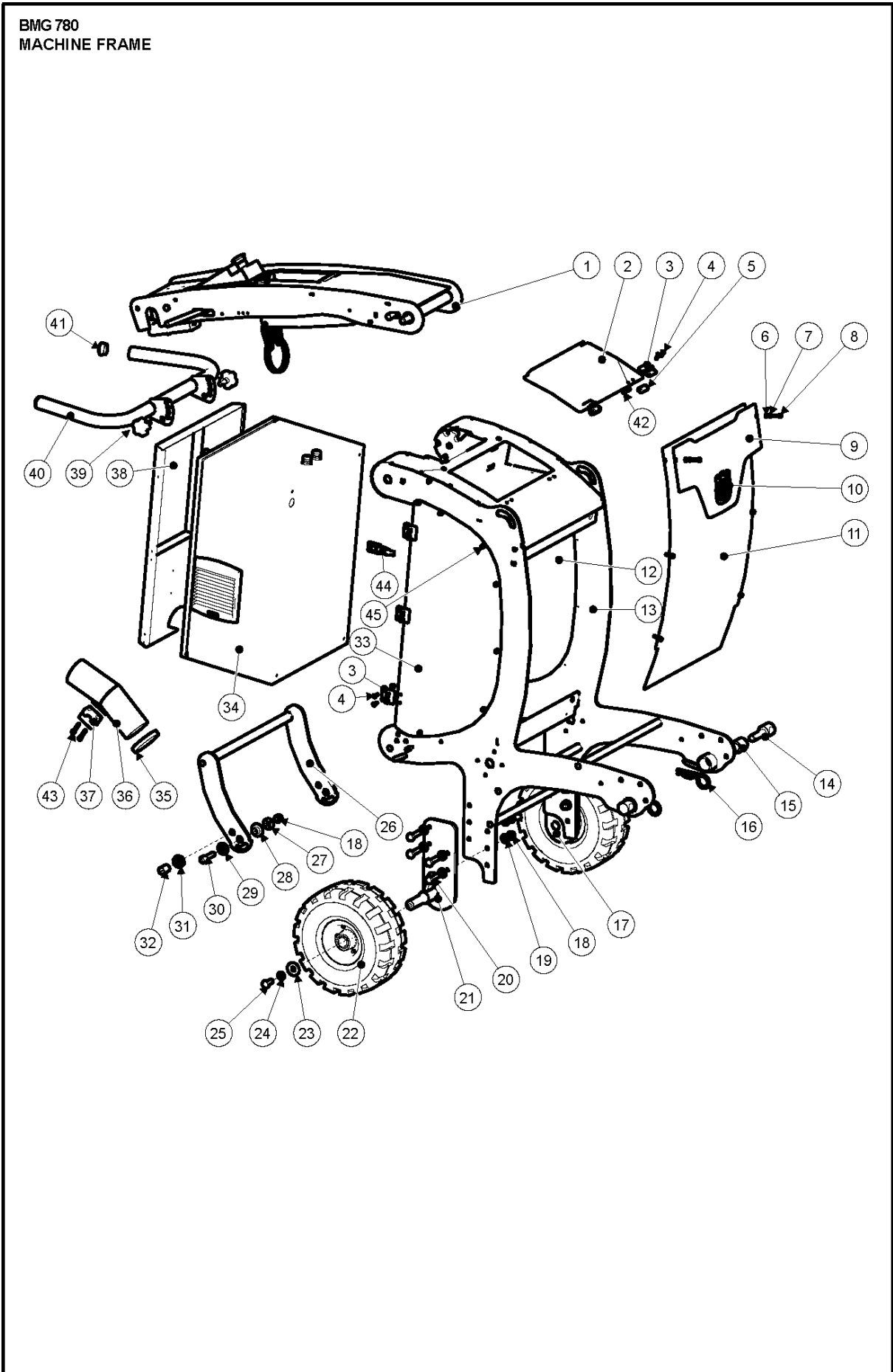




SPARE PARTS LIST

SURFACE PREPARATION EQUIPMENT

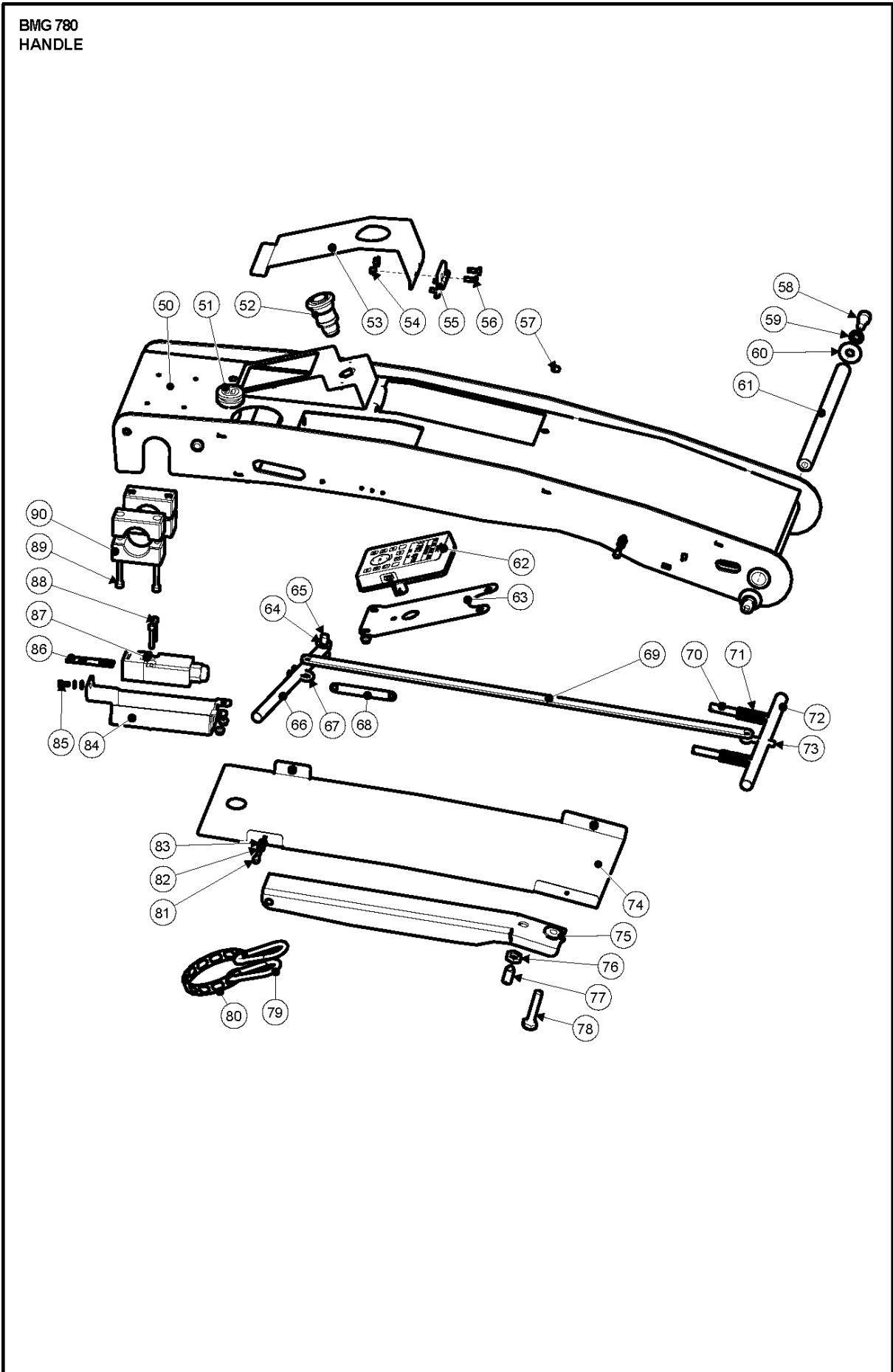
BMG 780, 2022-04



FRAME

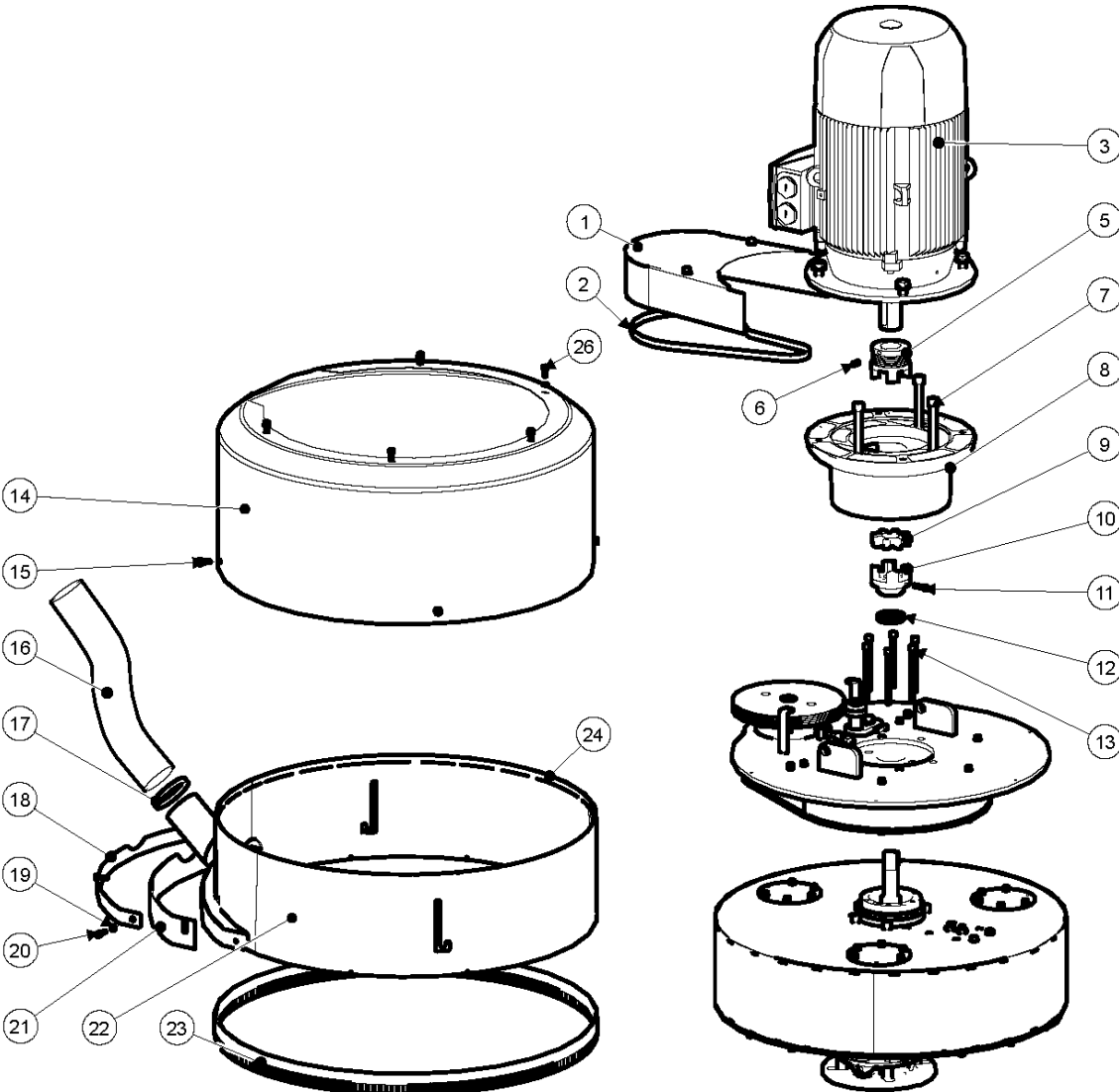
BMG 780, 2022-04

Ref	Part No	Description	Remark	QTY KIT
1	536943601	TBD	HANDLE	1
2	533 10 91-01	UNIT	UNIT	1
3	533 56 54-01	HINGE	HINGE	5
4	900 00 00-02	DUMMY PART	DUMMY PART	10
5	533 27 07-01	PLATE	PLATE	2
6	900 00 00-02	DUMMY PART	DUMMY PART	24
7	900 00 00-02	DUMMY PART	DUMMY PART	23
8	900 00 00-02	DUMMY PART	DUMMY PART	6
9	536546801	TBD	COVER	1
10	597 43 70-01	BADGE	BADGE	1
11	534 59 26-02	FRONT COVER	FRONT COVER	1
12	534 66 49-02	PLATE	PLATE	1
13	534 58 87-02	FRAME	FRAME	1
14	533 25 17-01	BOLT	BOLT	2
15	533 64 30-01	BUSHING	BUSHING	2
16	533 24 33-01	SPRING	SPRING	2
17	533 34 83-02	AXLE	AXLE	1
18	900 00 00-02	DUMMY PART	DUMMY PART	10
19	900 00 00-02	DUMMY PART	DUMMY PART	16
20	900 00 00-02	DUMMY PART	DUMMY PART	8
21	533 35 50-02	AXLE	AXLE	1
22	533 60 51-01	WHEEL	WHEEL	2
23	900 00 00-02	DUMMY PART	DUMMY PART	2
24	533 28 87-01	WASHER	WASHER	2
25	534 68 36-01	BOLT	BOLT	2
26	533 24 27-01	SUPPORT	SUPPORT	1
27	533 83 69-01	WASHER	WASHER	2
28	533 25 06-01	BUSHING	BUSHING	2
29	534 68 30-01	WASHER	WASHER	2
30	900 00 00-02	DUMMY PART	DUMMY PART	2
31	900 00 00-02	DUMMY PART	DUMMY PART	2
32	533 27 84-01	SPRING	SPRING	2
33	534 80 83-02	ELECTRONIC BOX	ELECTRONIC BOX	1
34	534 55 22-01	ELECTRICAL SYSTEM	ELECTRICAL SYSTEM	1
34	534 55 26-01	ELECTRICAL SYSTEM	ELECTRICAL SYSTEM	1
34	534 55 27-01	ELECTRICAL SYSTEM	ELECTRICAL SYSTEM	1
35	534 62 89-01	HOSE CLAMP	HOSE CLAMP	2
36	533 27 52-01	HOSE CONNECTOR	HOSE CONNECTOR	1
37	534 07 11-01	PIPE CLAMP	PIPE CLAMP	1
38	534 54 82-01	COVER	COVER	1
38	536 54 67-01	COVER	COVER	1
39	533 22 67-01	KNOB	KNOB	2
40	536938202	TBD	HANDLE	1
41	533 40 76-01	TUBE	TUBE	2
42	534 68 90-01	NUT	NUT	16
43	900 00 00-02	DUMMY PART	DUMMY PART	2
44	533 64 19-01	CLAMP	CLAMP	1
45	900 00 00-02	DUMMY PART	DUMMY PART	14

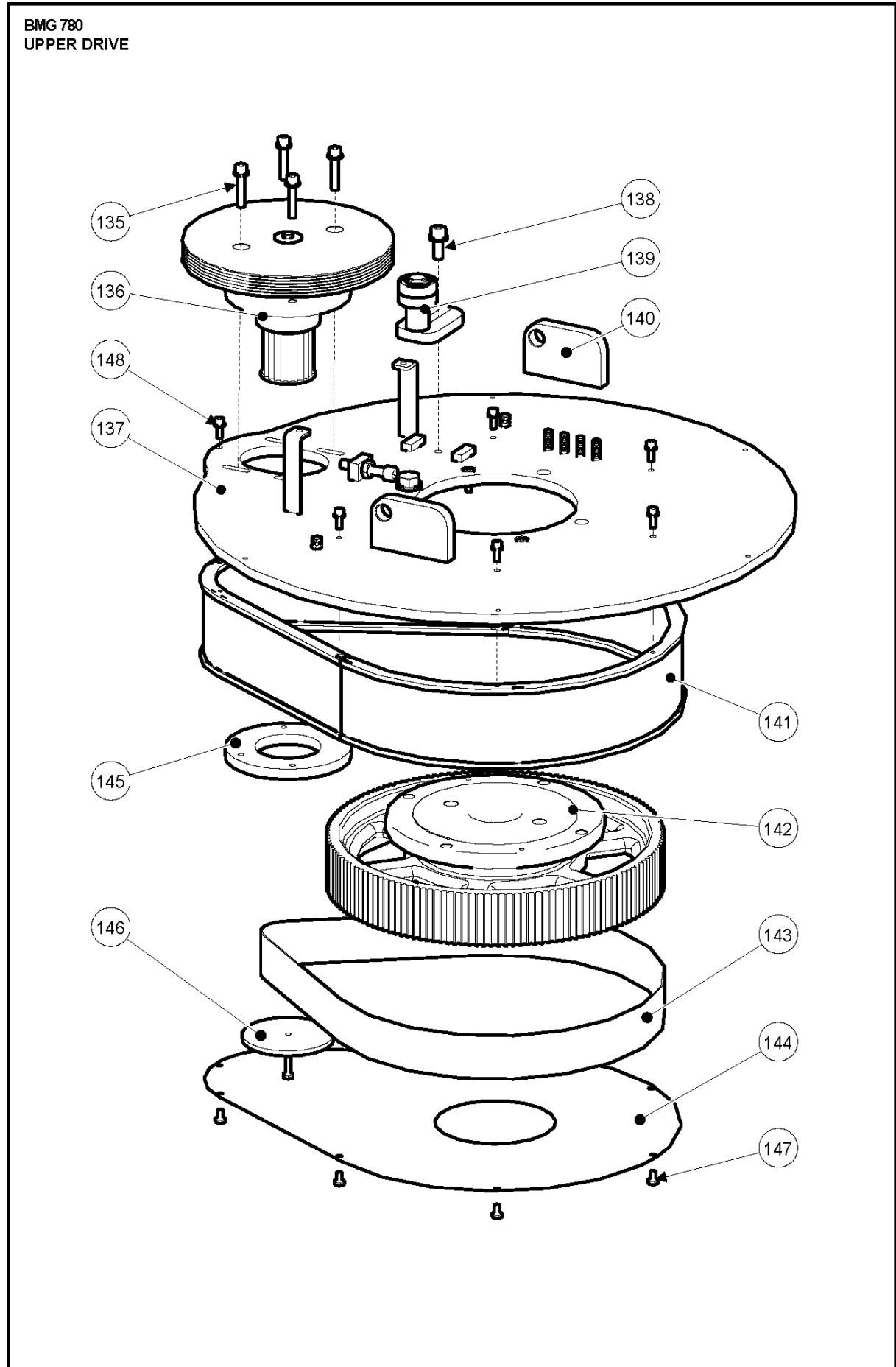


Ref	Part No	Description	Remark	QTY KIT
50	535 21 14-02	HANDLE	HANDLE	1
51	534 91 61-01	CONNECTOR	CONNECTOR	1
52	533 67 92-01	SWITCH	SWITCH	1
53	533 23 41-01	KEY	KEY	1
54	534 68 90-01	NUT	NUT	8
55	533 56 54-01	HINGE	HINGE	1
56	900 00 00-02	DUMMY PART	DUMMY PART	2
57	533 51 15-01	MAGNET	MAGNET	2
58	900 00 00-02	DUMMY PART	DUMMY PART	2
59	900 00 00-02	DUMMY PART	DUMMY PART	2
60	900 00 00-02	DUMMY PART	DUMMY PART	2
61	533 37 62-01	HANDLE	HANDLE	1
62	533 51 42-01	PANEL	PANEL	1
63	534 41 74-01	COVER	COVER	1
64	900 00 00-02	DUMMY PART	DUMMY PART	2
65	900 00 00-02	DUMMY PART	DUMMY PART	1
66	533 37 62-01	HANDLE	HANDLE	1
67	533 23 82-01	WIRE	WIRE	1
68	533 23 89-01	SPRING	SPRING	1
69	533 22 21-01	STRIP	STRIP	1
70	533 22 59-01	SPRING	SPRING	2
71	533 28 71-01	SPRING	SPRING	2
72	533 23 37-01	SHAFT	SHAFT	1
73	533 23 95-01	EYE BOLT	EYE BOLT	1
74	535 15 87-01	COVER	COVER	1
75	533 07 27-01	ARM	ARM	1
76	534 62 43-01	HEXAGON NUT	HEXAGON NUT	1
77	900 00 00-02	DUMMY PART	DUMMY PART	1
78	900 00 00-02	DUMMY PART	DUMMY PART	1
79	534 85 36-01	HOOK	HOOK	2
80	533 08 88-01	CHAIN	CHAIN	1
81	900 00 00-02	DUMMY PART	DUMMY PART	4
82	900 00 00-02	DUMMY PART	DUMMY PART	24
83	900 00 00-02	DUMMY PART	DUMMY PART	24
84	533 27 61-01	SWITCH	SWITCH	1
85	900 00 00-02	DUMMY PART	DUMMY PART	1
86	533 28 91-01	KEY	KEY	1
87	533 38 74-01	SWITCH	SWITCH	1
88	900 00 00-02	DUMMY PART	DUMMY PART	2
89	900 00 00-02	DUMMY PART	DUMMY PART	4
90	533 76 77-01	PIPE CLAMP	PIPE CLAMP	4

**BMG 780
UPPER DRIVE**



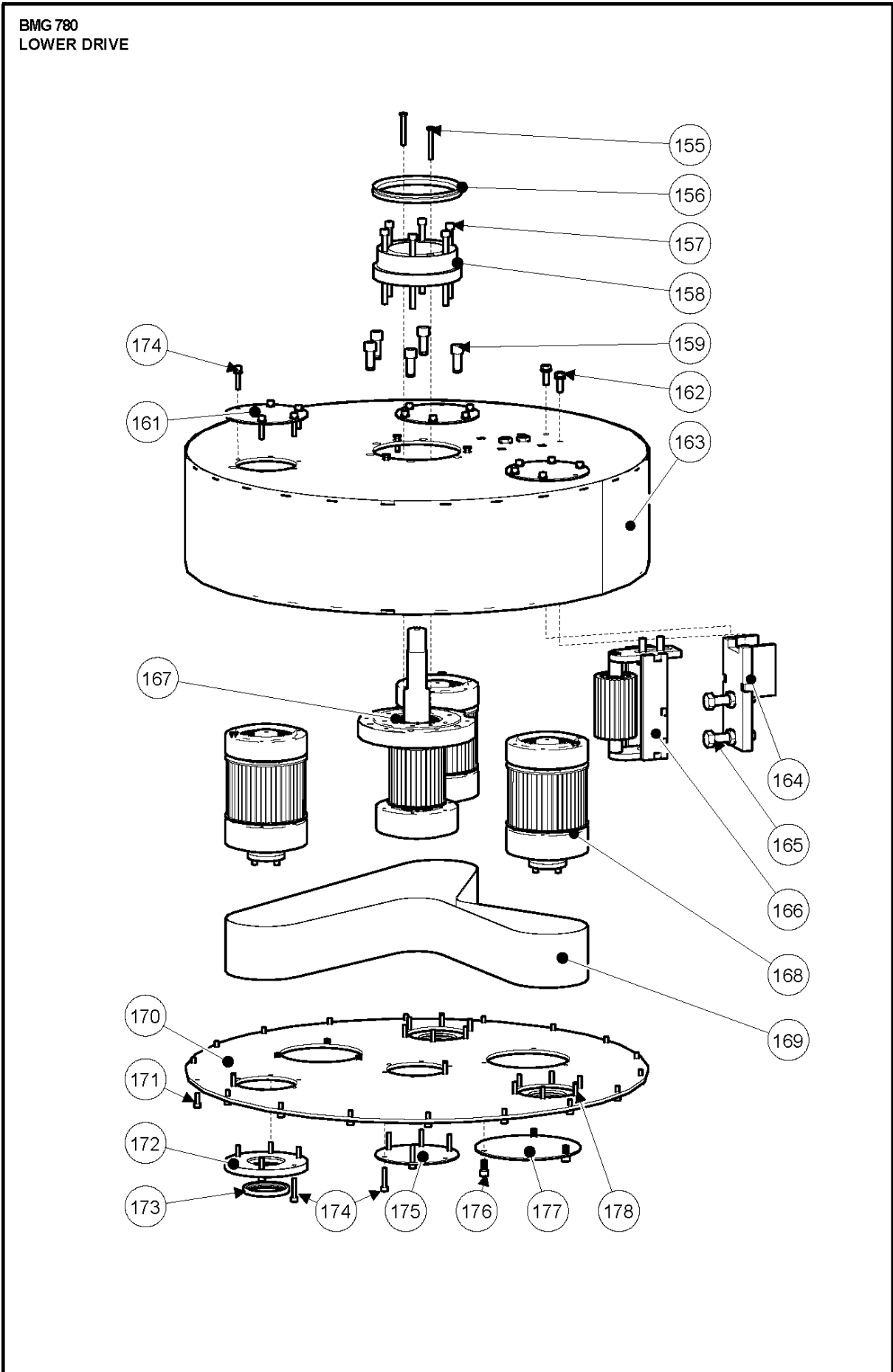
Ref	Part No	Description	Remark	QTY KIT
1	533 71 91-01	BELT	BELT	1
2	533 86 10-01	BELT	BELT	1
3	533 25 33-01	BUSHING	BUSHING	1
5	533 27 23-01	COUPLING	COUPLING	1
6	533 47 00-01	SCREW	SCREW	1
7	900 00 00-02	DUMMY PART	DUMMY PART	3
8	533 35 46-01	MOTOR SUPPORT	MOTOR SUPPORT	1
9	533 62 08-01	COUPLING	COUPLING	1
10	533 52 07-01	COUPLING	COUPLING	1
11	900 00 00-02	DUMMY PART	DUMMY PART	1
12	533 55 87-01	SEAL	SEAL	1
13	900 00 00-02	DUMMY PART	DUMMY PART	6
14	533 65 71-01	PROTECTIVE COVER	PROTECTIVE COVER	1
15	533 40 24-01	BOLT	BOLT	4
16	534 78 39-01	HOSE	HOSE	1
17	534 62 89-01	HOSE CLAMP	HOSE CLAMP	1
18	533 37 45-01	STRIP	STRIP	1
19	900 00 00-02	DUMMY PART	DUMMY PART	4
20	900 00 00-02	DUMMY PART	DUMMY PART	4
21	533 89 17-01	SEAL	SEAL	1
22	533 55 56-01	SHROUD	SHROUD	1
23	533 64 33-01	BRUSH	BRUSH	1
24	533 97 00-01	STRIP	STRIP	1
26	900 00 00-02	DUMMY PART	DUMMY PART	5



GRINDING HEAD

BMG 780, 2022-04

Ref	Part No	Description	Remark	QTY KIT
135	900 00 00-02	DUMMY PART	DUMMY PART	4
136	533 32 79-01	PULLEY	PULLEY	1
137	535 21 39-01	PLATE	PLATE	1
138	900 00 00-02	DUMMY PART	DUMMY PART	1
139	533 28 14-01	TENSIONER	TENSIONER	1
140	533 06 76-01	HOLDER	HOLDER	2
141	533 61 44-01	MOTOR HOUSING	MOTOR HOUSING	1
142	533 23 73-01	PULLEY	PULLEY	1
143	533 18 48-01	BELT	BELT	1
144	533 29 33-01	PLATE	PLATE	1
145	533 21 34-01	RING	RING	1
146	531 49 41-01	FLANGE	FLANGE	1
147	900 00 00-02	DUMMY PART	DUMMY PART	8
148	900 00 00-02	DUMMY PART	DUMMY PART	6

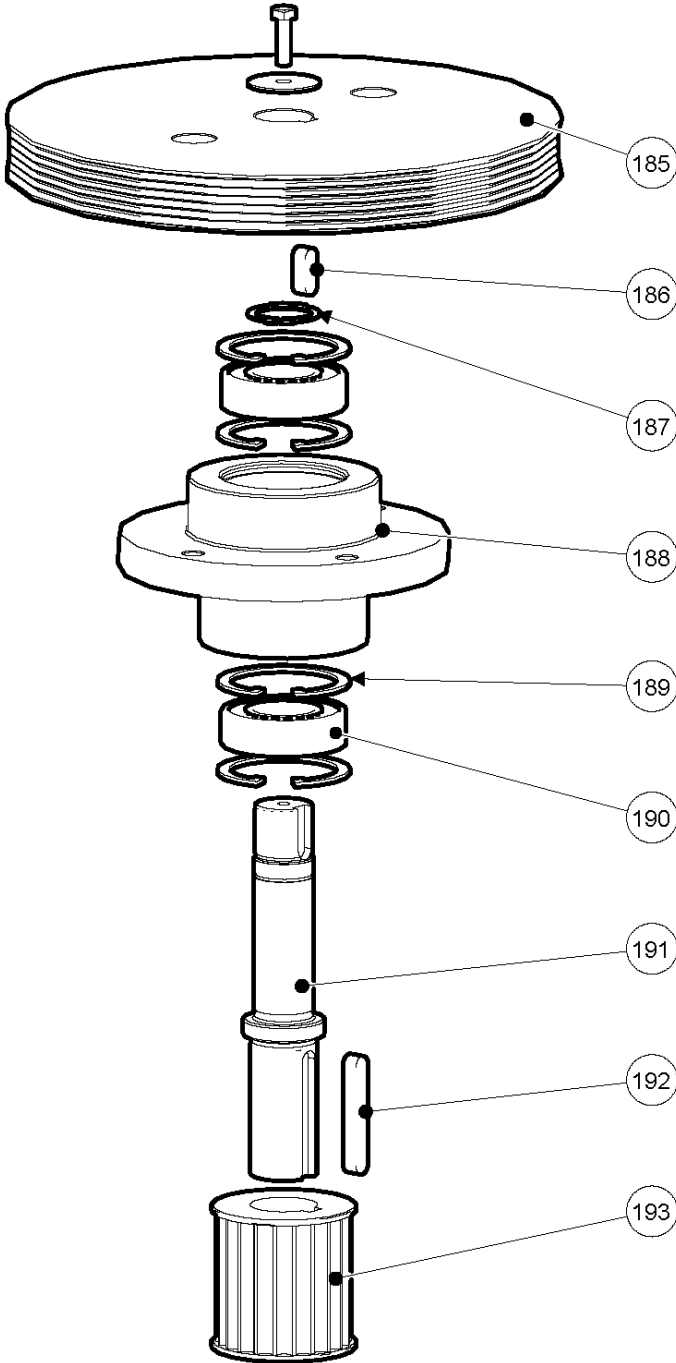


GRINDING HEAD

BMG 780, 2022-04

Ref	Part No	Description	Remark	QTY KIT
155	900 00 00-02	DUMMY PART	DUMMY PART	2
156	533 58 74-01	SEAL	SEAL	1
157	900 00 00-02	DUMMY PART	DUMMY PART	6
158	533 56 00-01	RING	RING	1
159	900 00 00-02	DUMMY PART	DUMMY PART	5
161	533 62 07-01	COVER	COVER	3
162	900 00 00-02	DUMMY PART	DUMMY PART	2
163	533 41 99-01	HOUSING	HOUSING	1
164	533 24 28-01	TENSIONER	TENSIONER	1
165	900 00 00-02	DUMMY PART	DUMMY PART	2
166	533 29 40-01	TENSIONER	TENSIONER	1
167	533 29 86-01	PULLEY	PULLEY	1
168	533 24 35-01	PULLEY	PULLEY	3
169	533 77 03-01	BELT	BELT	1
170	533 38 64-01	PLATE	PLATE	1
171	900 00 00-02	DUMMY PART	DUMMY PART	18
172	535 22 58-01	PLATE	PLATE	3
173	534 79 24-01	SEAL	SEAL	3
174	900 00 00-02	DUMMY PART	DUMMY PART	35
175	533 62 07-01	COVER	COVER	1
176	900 00 00-02	DUMMY PART	DUMMY PART	6
177	533 45 96-01	COVER	COVER	2
178	900 00 00-02	DUMMY PART	DUMMY PART	12

BMG 780
CONTRA PULLEY

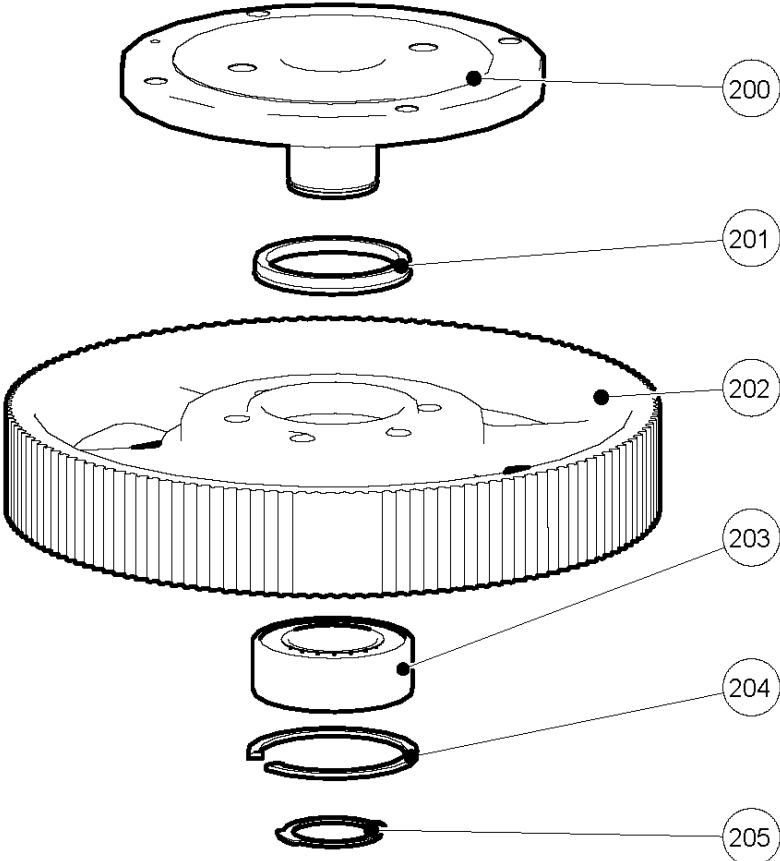


PULLEY

BMG 780, 2022-04

Ref	Part No	Description	Remark	QTY KIT
185	533 09 91-01	PULLEY	PULLEY	1
186	533 29 34-01	KEY	KEY	1
187	533 91 42-01	RETAINER RING	RETAINER RING	1
188	533 23 76-01	BEARING HOUSING	BEARING HOUSING	1
189	533 21 83-01	CIRCLIP	CIRCLIP	4
190	533 83 82-01	BEARING	BEARING	2
191	533 57 58-01	AXLE	AXLE	2
192	533 25 09-01	KEY	KEY	1
193	533 86 18-01	PULLEY	PULLEY	1

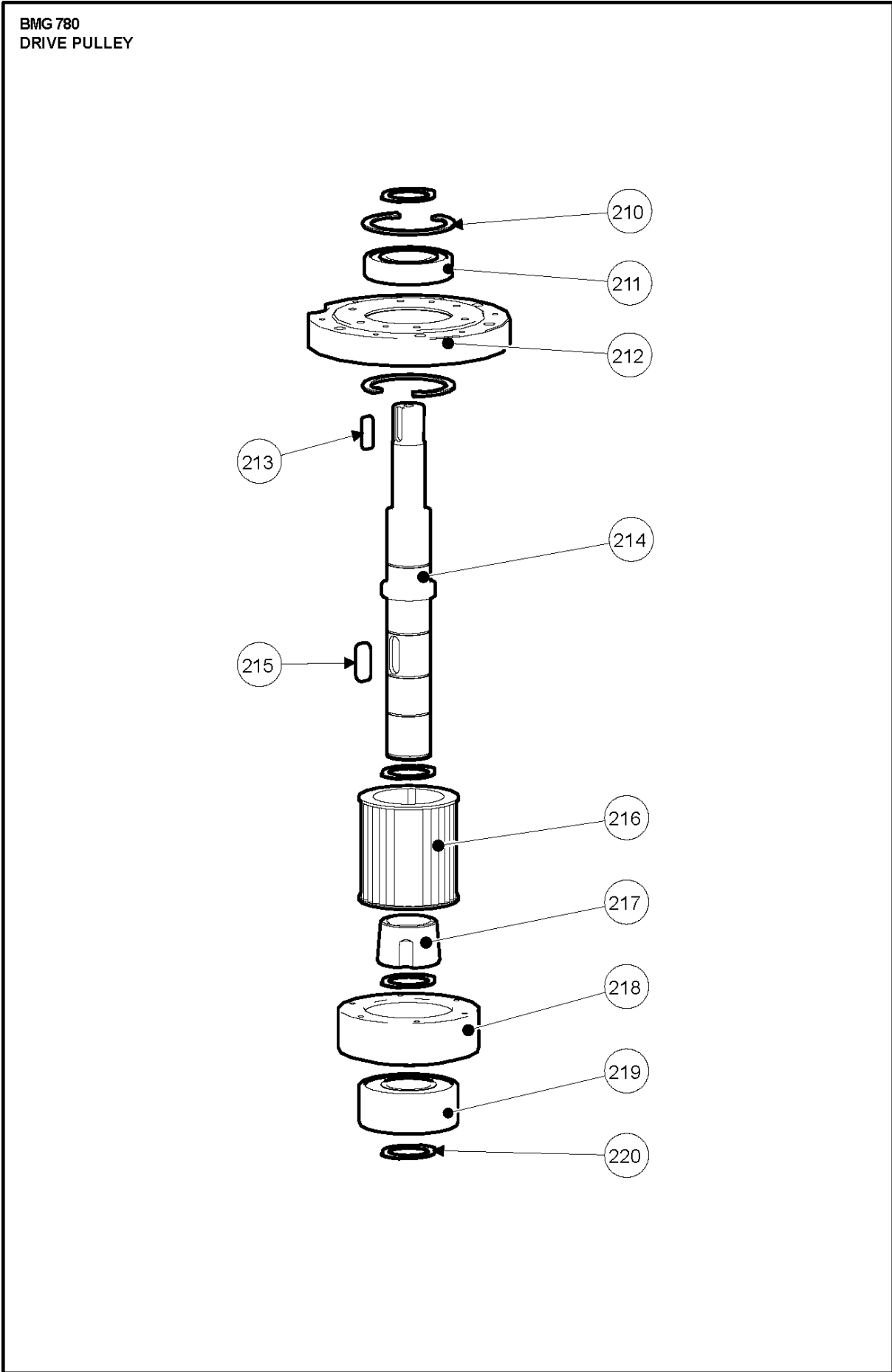
BMG 780
CENTRE PULLEY



PULLEY

BMG 780, 2022-04

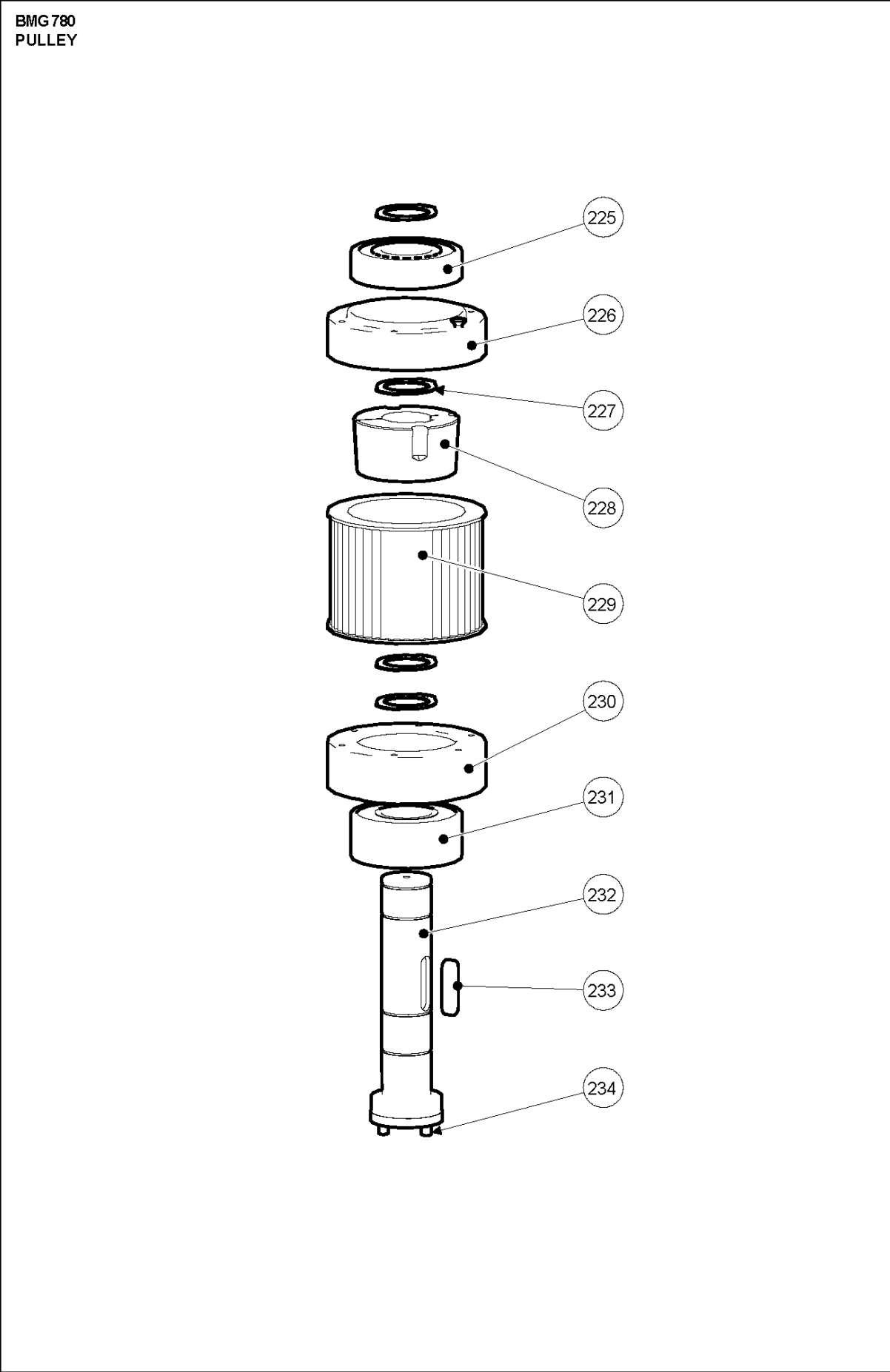
Ref	Part No	Description	Remark	QTY KIT
200	533 55 72-01	SPROCKET	SPROCKET	1
201	533 21 60-01	SEAL	SEAL	1
202	533 03 10-01	PULLEY	PULLEY	1
203	533 60 07-01	BEARING	BEARING	1
204	533 37 11-01	RING	RING	1
205	533 22 05-01	RING	RING	1



DRIVING PULLEY

BMG 780, 2022-04

Ref	Part No	Description	Remark	QTY KIT
210	533 34 40-01	CIRCLIP	CIRCLIP	2
211	533 62 42-01	BEARING	BEARING	1
212	533 57 48-01	BEARING HOUSING	BEARING HOUSING	1
213	533 90 54-01	HEX KEY	HEX KEY	1
214	533 05 43-01	AXLE	AXLE	1
215	533 17 32-01	KEY	KEY	1
216	533 61 22-01	PULLEY	PULLEY	1
217	533 73 56-01	BUSHING	BUSHING	1
218	533 57 46-01	BEARING HOUSING	BEARING HOUSING	1
219	533 62 40-01	BEARING	BEARING	1
220	533 65 99-01	RETAINER RING	RETAINER RING	4

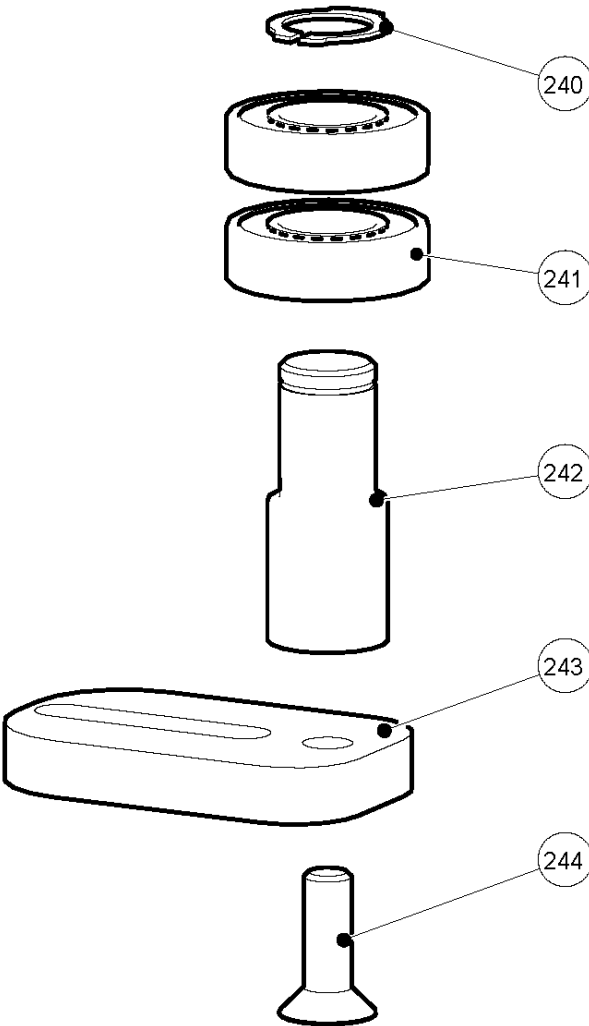


PULLEY

BMG 780, 2022-04

Ref	Part No	Description	Remark	QTY KIT
225	533 62 41-01	BEARING	BEARING	1
226	533 57 47-01	BEARING HOUSING	BEARING HOUSING	1
227	533 65 99-01	RETAINER RING	RETAINER RING	4
228	533 25 33-01	BUSHING	BUSHING	1
229	533 21 65-01	PULLEY	PULLEY	1
230	533 57 46-01	BEARING HOUSING	BEARING HOUSING	1
231	533 62 40-01	BEARING	BEARING	1
232	533 13 34-01	AXLE	AXLE	1
233	533 17 31-01	KEY	KEY	1
234	533 35 67-01	PIN	PIN	3

**BMG 780
UPPER TENSIONER**

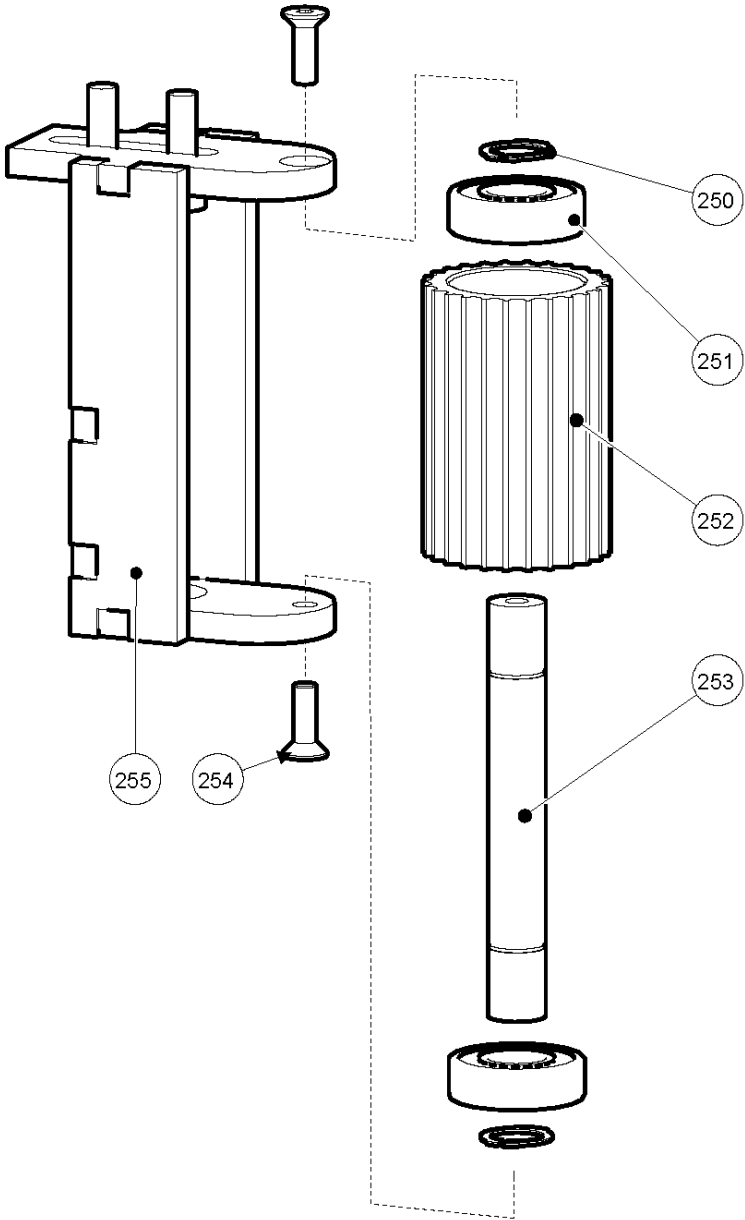


GRINDING HEAD

BMG 780, 2022-04

Ref	Part No	Description	Remark	QTY KIT
240	533 21 82-01	CIRCLIP	CIRCLIP	1
241	533 77 94-01	BEARING	BEARING	2
242	534 30 37-01	AXLE	AXLE	1
243	534 89 39-01	PLATE	PLATE	1
244	900 00 00-02	DUMMY PART	DUMMY PART	1

BMG 780
LOWER TENSIONER

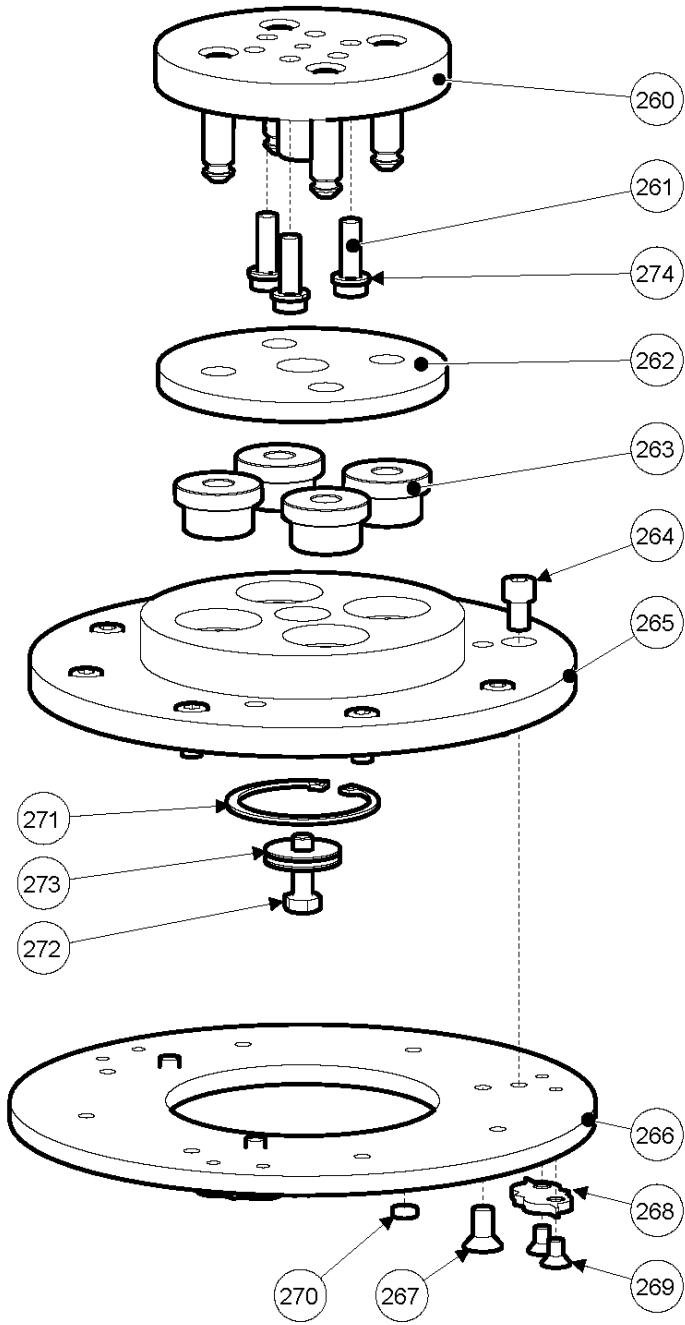


GRINDING HEAD

BMG 780, 2022-04

Ref	Part No	Description	Remark	QTY KIT
250	533 21 82-01	CIRCLIP	CIRCLIP	2
251	533 39 90-01	BEARING	BEARING	2
252	536945801	TBD	PULLEY	1
253	536 26 83-01	AXLE	AXLE	1
254	900 00 00-02	DUMMY PART	DUMMY PART	2
255	536945901	TBD	TENSIONER	1

BMG 780
FORK BUFFER SYSTEM

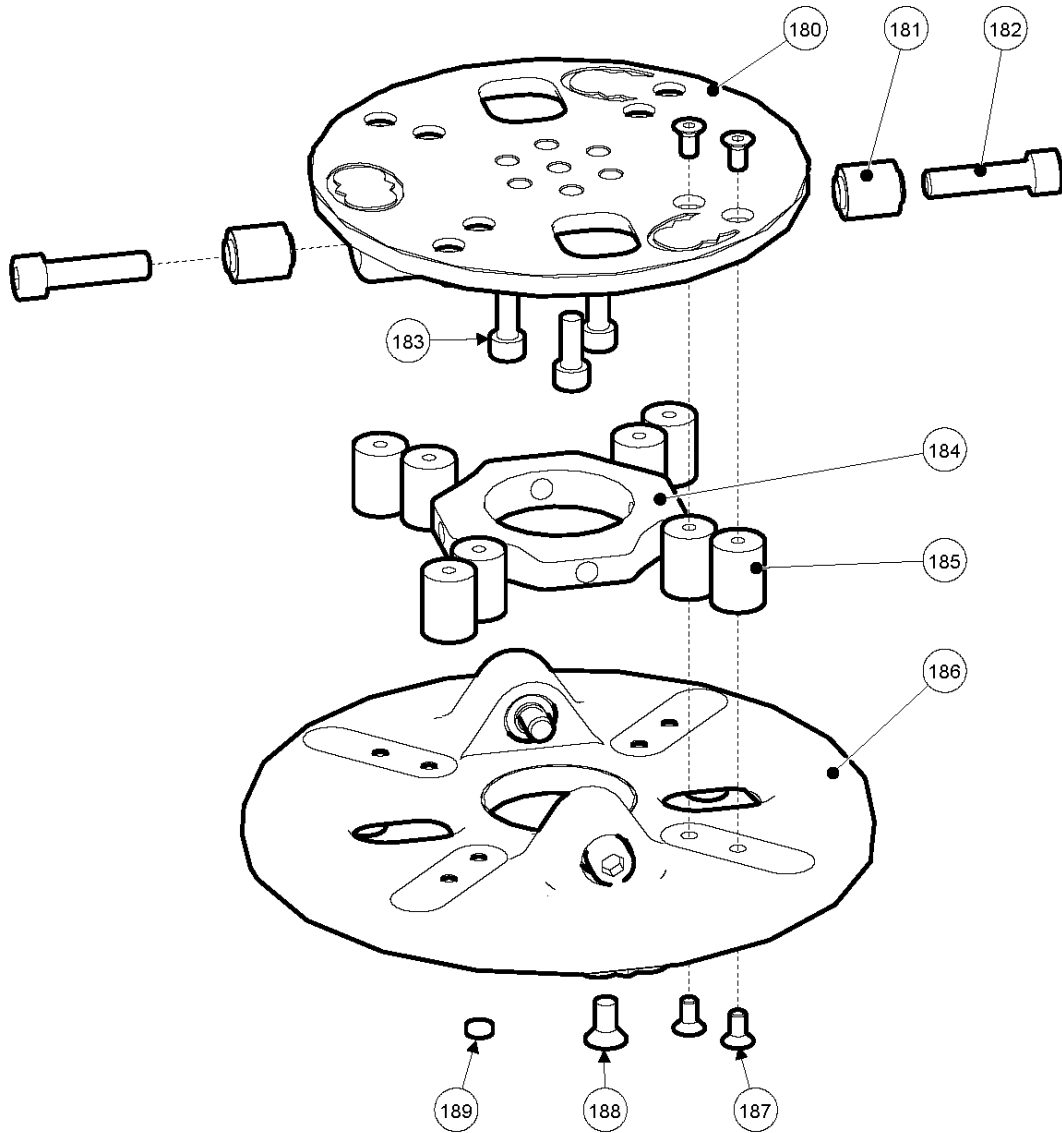


GRINDING HEAD

BMG 780, 2022-04

Ref	Part No	Description	Remark	QTY KIT
260	533 21 41-01	FORK	FORK	1
261	533 67 61-01	BOLT	BOLT	3
262	533 22 81-01	BUFFER	BUFFER	1
263	533 37 12-01	BUFFER	BUFFER	4
263	534 37 12-01	BUFFER	BUFFER	4
263	534 37 14-01	BUFFER	BUFFER	4
264	533 61 64-01	SCREW	SCREW	8
265	533 34 15-01	PLATE	PLATE	1
266	535 78 58-01	PLATE	PLATE	1
267	533 78 44-01	NUT	NUT	3
268	535 78 57-01	UNIT	UNIT	3
269	900 00 00-02	DUMMY PART	DUMMY PART	6
270	533 51 15-01	MAGNET	MAGNET	3
271	533 88 23-01	RETAINER RING	RETAINER RING	1
272	900 00 00-02	DUMMY PART	DUMMY PART	1
273	533 24 44-01	WASHER	WASHER	2
274	533 31 92-01	WASHER	WASHER	3

BMG 780
FLEX BUFFER PLATE



GRINDING HEAD

BMG 780, 2022-04

Ref	Part No	Description	Remark	QTY KIT
180	533 26 29-01	BUFFER	BUFFER	1
181	533 22 42-01	BUSH	BUSH	4
182	900 00 00-02	DUMMY PART	DUMMY PART	4
183	900 00 00-02	DUMMY PART	DUMMY PART	6
184	533 44 87-01	HINGE	HINGE	1
185	533 84 53-01	ABSORBER	ABSORBER	8
186	533 33 29-01	BUFFER	BUFFER	1
187	900 00 00-02	DUMMY PART	DUMMY PART	16
188	533 78 44-01	NUT	NUT	3
189	533 51 15-01	MAGNET	MAGNET	6