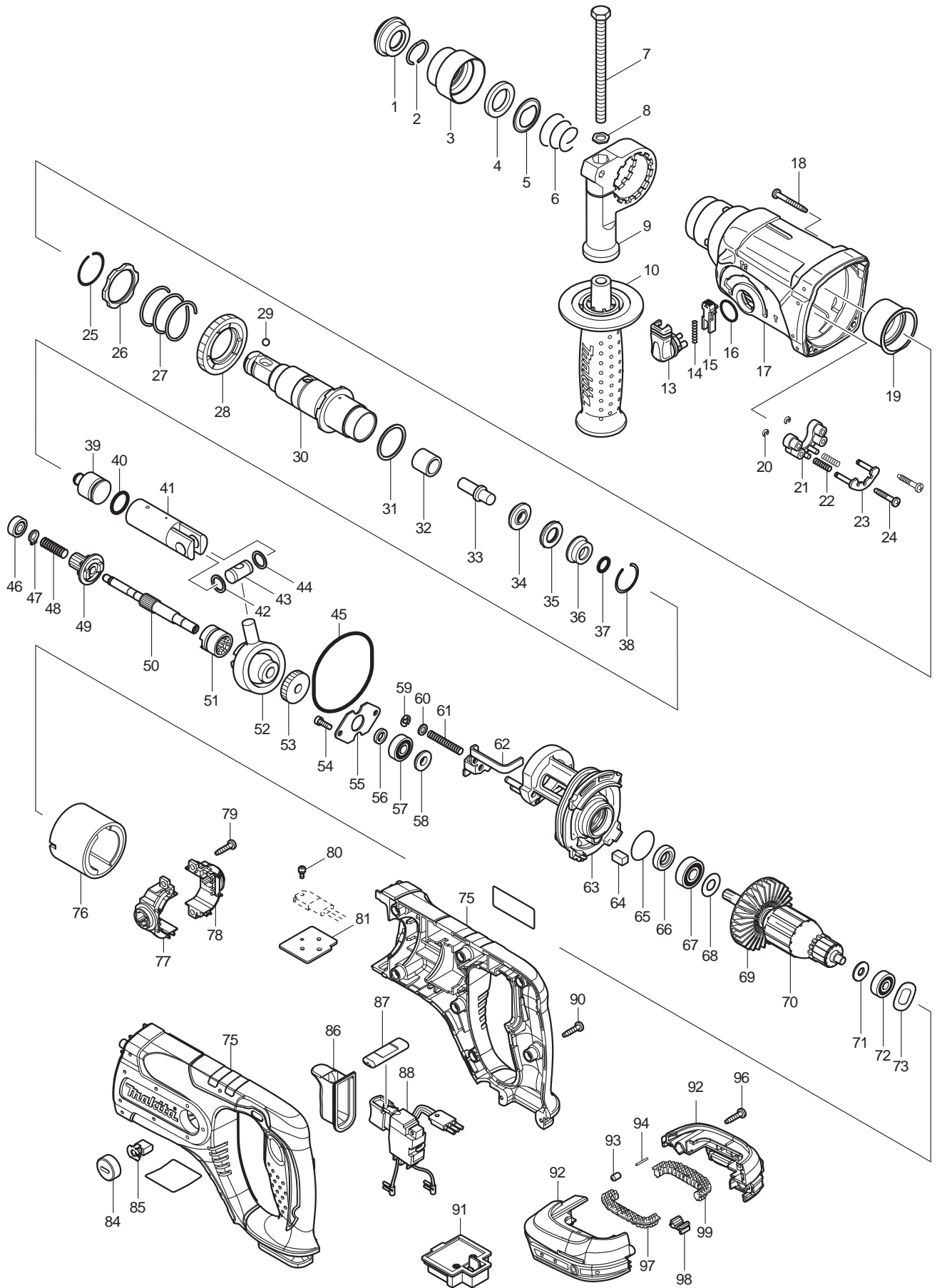




09 - 2011
BHR241, BHR241Z, BHR241F
18V SDS-PLUS HAMMER DRILL



Item No	Type	Ref	Part No	Description	Qty	Unit
1			286263-4	CAP 35	1	PC.
2			233940-9	RING SPRING 19	1	PC.
3			417629-9	CHUCK COVER	1	PC.
4			257241-1	RING 21	1	PC.
5			345187-4	GUIDE WASHER	1	PC.
6			233916-6	CONICAL COMP. SPRING 21-29	1	PC.
7			921923-8	HEX. BOLT M8X120	1	PC.
8			345280-4	HEX. WASHER	1	PC.
9			417630-4	GRIP BASE	1	PC.
10			158057-6	GRIP 36 COMPLETE	1	PC.
		INC.	931402-8	HEX. NUT M8	1	PC.
13			162245-9	CHANGE LEVER	1	PC.
14			233459-8	COMPRESSION SPRING 3	1	PC.
15			419192-8	LOCK BUTTON	1	PC.
16			213278-8	O RING 17	1	PC.
17			158216-2	GEAR HOUSING COMPLETE	1	PC.
		INC.	213345-9	OIL SEAL 25 (TYPE2) (OLD# 213965-9)	1	PC.
18			266351-3	TAPPING SCREW 4X35	4	PC.
19			153290-5	NEEDLE BEARING COMPLETE	1	PC.
20			961017-7	STOP RING E-3	2	PC.
21			417796-0	GUIDE BASE	1	PC.
22			233344-5	COMPRESSION SPRING 4	2	PC.
23			163430-7	LOCK PLATE COMPLETE	1	PC.
24			266374-1	TAPPING SCREW 4X25	2	PC.
25			233929-7	RING SPRING 29	1	PC.
26			267460-1	WASHER 31	1	PC.
27			233401-9	COMPRESSION SPRING 32	1	PC.
28			227109-5	SPUR GEAR 51	1	PC.
29			216022-2	STEEL BALL 7.0	1	PC.
30			158574-6	TOOL HOLDER COMPLETE	1	PC.
31			267229-3	FLAT WASHER 28	1	PC.
32			331769-8	SLEEVE 9	1	PC.
33			324669-9	IMPACT BOLT	1	PC.
34			324402-9	RING 10	1	PC.
35			421955-0	CUSHION RING 13	1	PC.
36			324216-6	O RING CASE	1	PC.
37			213073-6	O RING 9	1	PC.
38			233917-4	RING SPRING 28	1	PC.
39			324214-0	STRIKER	1	PC.
40			213227-5	O RING 16	1	PC.
41			318132-2	PISTON CYLINDER	1	PC.
42			267104-3	FLAT WASHER 12	1	PC.
43			324215-8	PISTON JOINT	1	PC.
44			267104-3	FLAT WASHER 12	1	PC.
45			213727-5	O-RING 63	1	PC.
46	1		211012-0	BALL BEARING 606ZZ	1	PC.
	2		210028-2	# BALL BEARING 606ZZ	1	PC.
47			961003-8	RETAINING RING S-7	1	PC.
48			233343-7	COMPRESSION SPRING 7	1	PC.
49			227179-4	SPUR GEAR 10	1	PC.
50			324668-1	CAM SHAFT	1	PC.
51			331992-5	CLUTCH CAM (OLD# 331768-0 - N/L/A)	1	PC.
52			219014-0	SWASH BEARING 10	1	PC.
53			226632-7	HELICAL GEAR 25	1	PC.
54			266273-7	HEX. SOCKET HEAD BOLT M4X12	2	PC.

Item No	Type	Ref	Part No	Description	Qty	Unit
55			345179-3	BEARING RETAINER	1	PC.
56			267234-0	FLAT WASHER 8	1	PC.
57	1		211032-4	BALL BEARING 608ZZ	1	PC.
	2		210029-0	# BALL BEARING 608ZZ	1	PC.
58			324212-4	RING 8	1	PC.
59			961011-9	STOP RING E-4	1	PC.
60			941102-2	FLAT WASHER 5	1	PC.
61			233342-9	COMPRESSION SPRING 6	1	PC.
62			345363-0	CHANGE PLATE	1	PC.
63	1		158215-4	INNER HOUSING COMPLETE	1	PC.
	2		141574-3	INNER HOUSING COMPLETE	1	PC.
64	1		443126-9	FELT (OLD) (F/TYPE 1 INNER HOUSING COM. #158215-4)	1	PC.
65			213407-3	O RING 26	1	PC.
66			213077-8	OIL SEAL 10	1	PC.
67			210059-1	BALL BEARING 6000DDW	1	PC.
68			267213-8	FLAT WASHER 10	1	PC.
69			240092-9	FAN 64	1	PC.
70			519226-8	ARMATURE ASS'Y 18V	1	PC.
		INC.		Item No. 67-69,71,72		
71			253823-7	FLAT WASHER 7	1	PC.
72			210023-2	BALL BEARING 627DDW	1	PC.
73			267816-8	WAVE WASHER 15	1	PC.
75			188577-6	HOUSING SET	1	SET
76			638020-0	YOKE UNIT	1	PC.
77			643836-0	BRUSH HOLDER	1	PC.
78			643837-8	BRUSH HOLDER	1	PC.
79			266326-2	TAPPING SCREW 4X18	2	PC.
80	1		911006-2	PAN HEAD SCREW M3X8	1	PC.
	2		911011-9	# PAN HEAD SCREW M3X8	1	PC.
81			689070-8	HEAT SINK	1	PC.
84			643829-7	BRUSH HOLDER CAP	2	PC.
85	1		194435-6	CARBON BRUSH CB-441 2PC/SET (W/O ORIGIN) - N/L/A	1	SET
	2		195022-4	CARBON BRUSH CB-441, 2PCS/SET, W/ORIGIN	1	SET
86			424111-1	SWITCH COVER	1	PC.
87			450615-7	F/R CHANGE LEVER	1	PC.
88	1		650587-8	SWITCH TG553FSB-7	1	PC.
	2		650655-7	SWITCH TG553FSB-7B	1	PC.
90			266326-2	TAPPING SCREW 4X18	7	PC.
91	1		643812-4	TERMINAL, BLACK	1	PC.
	2		643838-6	TERMINAL	1	PC.
	3		643859-8	TERMINAL	1	PC.
	4		644808-8	TERMINAL	1	PC.
92	1		188453-4	BATTERY HOUSING SET	1	SET
	2		187212-3	BATTERY HOUSING SET	1	SET
93			263036-2	RUBBER PIN 5	1	PC.
94			268184-2	PIN 1.5	1	PC.
96			266326-2	TAPPING SCREW 4X18	2	PC.
97			424042-4	CUSHION RUBBER	1	PC.
98	1		424026-2	CUSHION	1	PC.
	2		424476-1	# CUSHION	1	PC.
99			424042-4	CUSHION RUBBER	1	PC.

Item No	Type	Ref	Part No	Description	Qty	Unit
ACCESSORIES			- See Catalogue or visit www.makita.ca for optional accessory -			
A01			324219-0	DEPTH GAUGE	1	PC.
A02	1		DC18RA	CHARGER DC18RA	1	PC.
	2		DC18RC	CHARGER DC18RC	1	PC.
A03			194205-3	18V LI-ION BATTERY BL1830	2	PC.
			194230-4	18V LI-ION BATTERY BL1830(3.0AH), 2/PK	1	PK
A04			450128-8	BATTERY COVER	1	PC.
A05	1		824771-3	PLASTIC CARRYING CASE	1	PC.
		INC.	163455-1	LATCH	2	PC.
	2		141643-0	PLASTIC CASE COMPLETE	1	PC.
		INC.	163455-1	LATCH	2	PC.
A06			123100-0	TOOL HOLDER ASS'Y	1	PC.
		INC.		Item No. 25-28,30,32-38		
A07			194649-7	BATTERY PROCTECTOR (F/ BL1830)	1	PC.
A08	1		188582-3	HAMMER SERVICE KIT SET	1	SET
A08	2		195193-7	HAMMER SERVICE KIT SET	1	SET
		INC.	195022-4	CARBON BRUSH CB-441 2PCS/SET (OLD# 194435-6)	1	SET
		INC.	286263-4	CAP 35	1	PC.
		INC.	216022-2	STEEL BALL 7.0	1	PC.
		INC.	421955-0	CUSHION RING 13	1	PC.
		INC.	213073-6	O RING 9	1	PC.
		INC.	233917-4	RING SPRING 28	1	PC.
		INC.	213227-5	O RING 16	1	PC.
		INC.	195127-0	MAKITA GREASE RB NO.00 30G	1	PC.
A09			122823-7	1/2" KEYLESS DRILL CHUCK ATTACHMENT	1	PC.
		INC.	192892-2	1/2" KEYLESS DRILL CHUCK	1	PC.
		INC.	751106-4	CHUCK ADAPTOR	1	PC.
		INC.	251425-3	- FLAT HEAD SCREW M6X22	1	PC.
A10			122574-2	1/2" DRILL CHUCK ATTACHMENT	1	PC.
		INC.	751106-4	CHUCK ADAPTER (TYPE2)	1	PC.
		INC.	251425-3	FLAT HEAD SCREW M6x22	1	PC.
A11			D-14093	CHUCK ADAPTER (SDS-PLUS)	1	PC.
		INC.	751106-4	CHUCK ADAPTER	1	PC.
		INC.	251425-3	- FLANGE HEAD SCREW M6X22	1	PC.
A12			763432-9	CHUCK KEY S13	1	PC.
A13			191686-2	SAFETY GOGGLE	1	PC.
A14			194683-7	GREASE VESSEL SET	1	PC.
A15			194580-7	DUSTCUP SET	1	PC.
A16			421342-3	DUST CUP 5	1	PC.
			421664-1	DUST CUP 9	1	PC.
A17			256806-6	ROD 10	1	PC.
			256815-5	ROD 15	1	PC.
A18			343411-9	CUTTER	1	PC.

SERVICE CHANGES

1. Changes on Switch, Terminal and Battery Housing (T/I# 84907) (T/I# 92708) (T/I# A0105)

Item No.	Description	Type 1	Type 2	Type 3	Type 4
88	Switch	650587-8		650655-7	
91	Terminal	643812-4	643838-6	643859-8	644808-8
92	Battery Housing Set	188453-4		187212-3	

Above parts are completely interchangeable as a set.

Service Note:

Use TYPE 3 parts for repair of the model manufactured on or after November 2011 with using Yellow lead wire between Switch and Terminal.

Use TYPE 1-2 parts for repair of the model manufactured before November 2011 without using Yellow lead wire between Switch and Terminal.

****See Technical Information #92708 for Wiring Diagram**