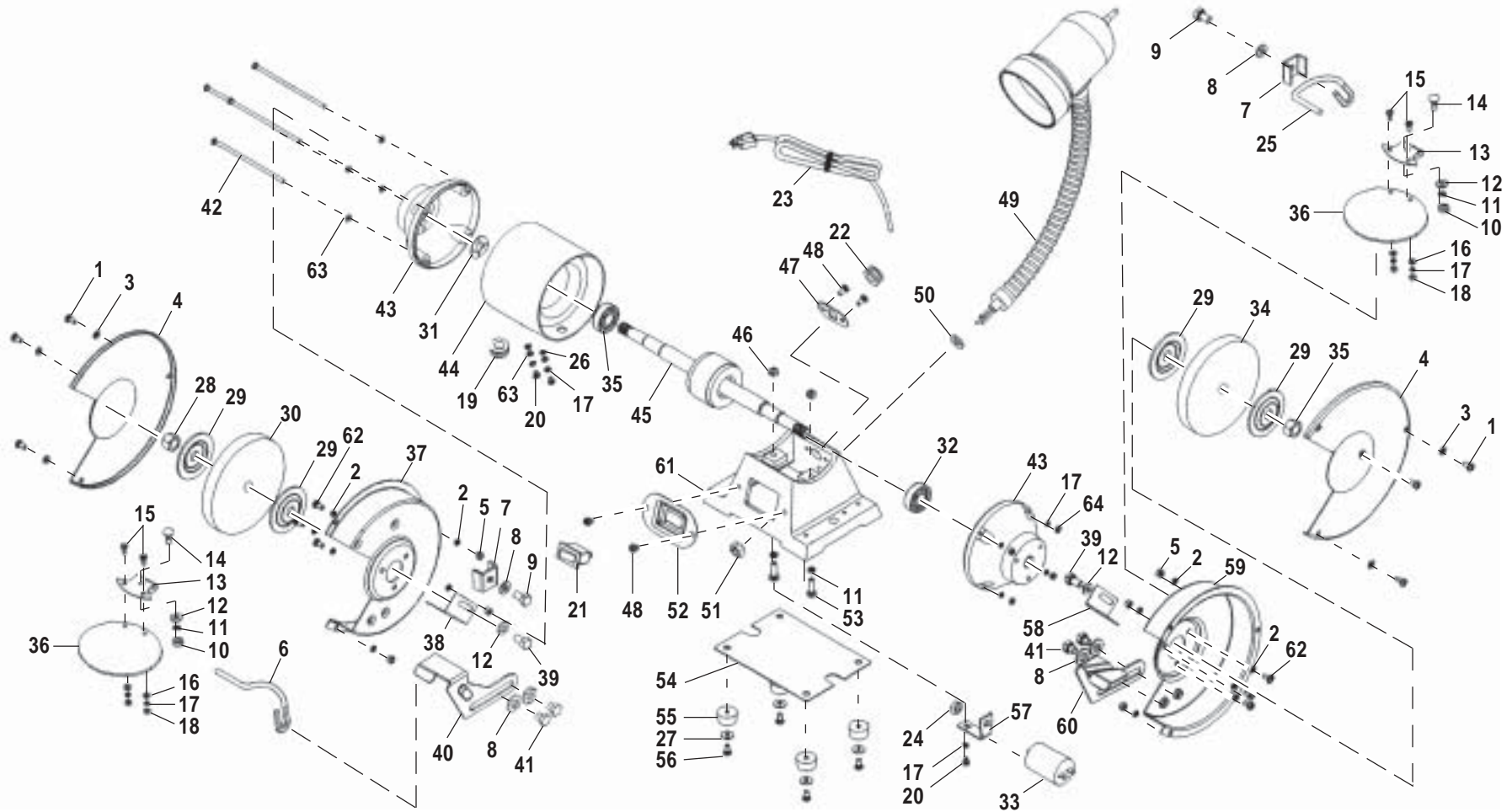


RYOBI 6 in. BENCH GRINDER – MODEL NUMBER BGH615



RYOBI 6 in. BENCH GRINDER – MODEL NUMBER BGH615

The model number will be found on a plate attached to the motor housing. Always mention the model number in all correspondence regarding your **Bench Grinder** or when ordering repair parts.

PARTS LIST

Key No.	Part Number	Description	Qty.	Key No.	Part Number	Description	Qty.
1	600112	* SCREW (M5 x 10 mm)	6	18	601808	* HEX NUT (M4)	4
2	600212	* LOCKWASHER (5 mm).....	12	19	601901	CORD BUSHING	1
3	600306	* WASHER (5 mm).....	6	20	602003	* SCREW (M4 x 8 mm)	3
4	600402	WHEEL COVER	2	21	602101	SWITCH	1
5	600506	* HEX NUT (M5)	6	22	602201	CORD CLIP	1
6	600601	LEFT EYESHIELD MOUNT ROD	1	23	602301	CORDW/PLUG	1
7	600702	EYESHIELD MOUNT ROD BRACKET	2	24	602401	* HEX NUT (M8)	1
8	600806	* WASHER (8 mm)	6	25	602501	RIGHT EYESHIELD MOUNT ROD	1
9	600902	* HEX BOLT (M8 x 14 mm)	2	26	602601	* TOOTHED LOCKWASHER (4 mm)	2
10	601002	* HEX NUT (M6)	2	27	602704	* BIG WASHER (5 mm)	4
11	601104	* LOCKWASHER (6 mm).....	4	28	602801	* HEX NUT LEFT SIDE (M12)	1
12	601204	* WASHER (6 mm).....	4	29	602904	WHEEL FLANGE	4
13	601302	EYESHIELD BRACKET	2	30	603601	WHEEL (36#) 150 x 20 x 12.7mm.....	1
14	601402	* CARRIAGE BOLT (M6 x 16 mm)	2	31	603001	* WAVE WASHER (D35).....	1
15	601504	* SCREW (M4 x 10 mm)	4	32	603101	BALL BEARING	2
16	601610	* WASHER (4 mm).....	4	33	603201	CAPACITOR	1
17	601711	* LOCKWASHER (4 mm).....	11	34	606001	WHEEL (60#) 150 X 20 X 12.7m	1

WARNING: Improper repair of a double insulated tool can result in damage to the double insulation system possibly causing electrical shock or electrocution. Any repairs requiring disassembly of your tool requires safety testing and should only be performed by a Ryobi Authorized Service Center. For the service center nearest you call 1-800-525-2579.

* Standard Hardware Item – May Be Purchased Locally

RYOBI 6 in. BENCH GRINDER – MODEL NUMBER BGH615

The model number will be found on a plate attached to the motor housing. Always mention the model number in all correspondence regarding your **Bench Grinder** or when ordering repair parts.

PARTS LIST

Key No.	Part Number	Description	Qty.	Key No.	Part Number	Description	Qty.
35	603301	* HEX NUT (M12)	1	52	605101	SWITCH PLATE	1
36	603402	EYESHIELD	2	53	605202	* SCREW (M6 x 20 mm)	2
37	603501	LEFT WHEEL GUARD	1	54	605301	BASE BOTTOM COVER	1
38	603701	LEFT SPARK DEFLECTOR	1	55	605404	RUBBER FOOT	4
39	603801	* HEX BOLT (M6 x 6 mm)	2	56	605501	* SCREW (M5 x 16 mm)	4
40	603901	LEFT WORK REST	1	57	605601	CAPACITOR SUPPORT	1
41	604004	* HEX BOLT (M8 x 8 mm)	4	58	605701	RIGHT SPARK DEFLECTOR	1
42	604104	* SCREW (M4 x 118 mm)	4	59	605801	RIGHT WHEEL GUARD	1
43	604202	END CAPS	2	60	605901	RIGHT WORK REST	1
44	604301	STATOR	1	61	606101	MOTOR BASE	1
45	604401	ROTOR	1	62	600112A	* SCREW (M5 x 10 mm)	6
46	604502	SPECIAL SHAPED NUT	2	63	601610A	* WASHER (4 mm)	6
47	604601	CORD BUSHING FIXED PLATE	1	64	601808A	* HEX NUT (M4)	4
48	604704	* SCREW (M5 x 8 mm)	4	65	607601	DOME LABEL (NOT SHOWN)	1
49	604801	LAMP	1	66	607602	WARNING LABEL (NOT SHOWN)	1
50	604901	* WASHER (12 mm)	1		972000-880	OPERATOR'S MANUAL	
51	605001	* HEX NUT (M12 x 1 mm)	1		972000-880R	REPAIR SHEET	
					12-10-03		

WARNING: Improper repair of a double insulated tool can result in damage to the double insulation system possibly causing electrical shock or electrocution. Any repairs requiring disassembly of your tool requires safety testing and should only be performed by a Ryobi Authorized Service Center. For the service center nearest you call 1-800-525-2579.

* Standard Hardware Item – May Be Purchased Locally