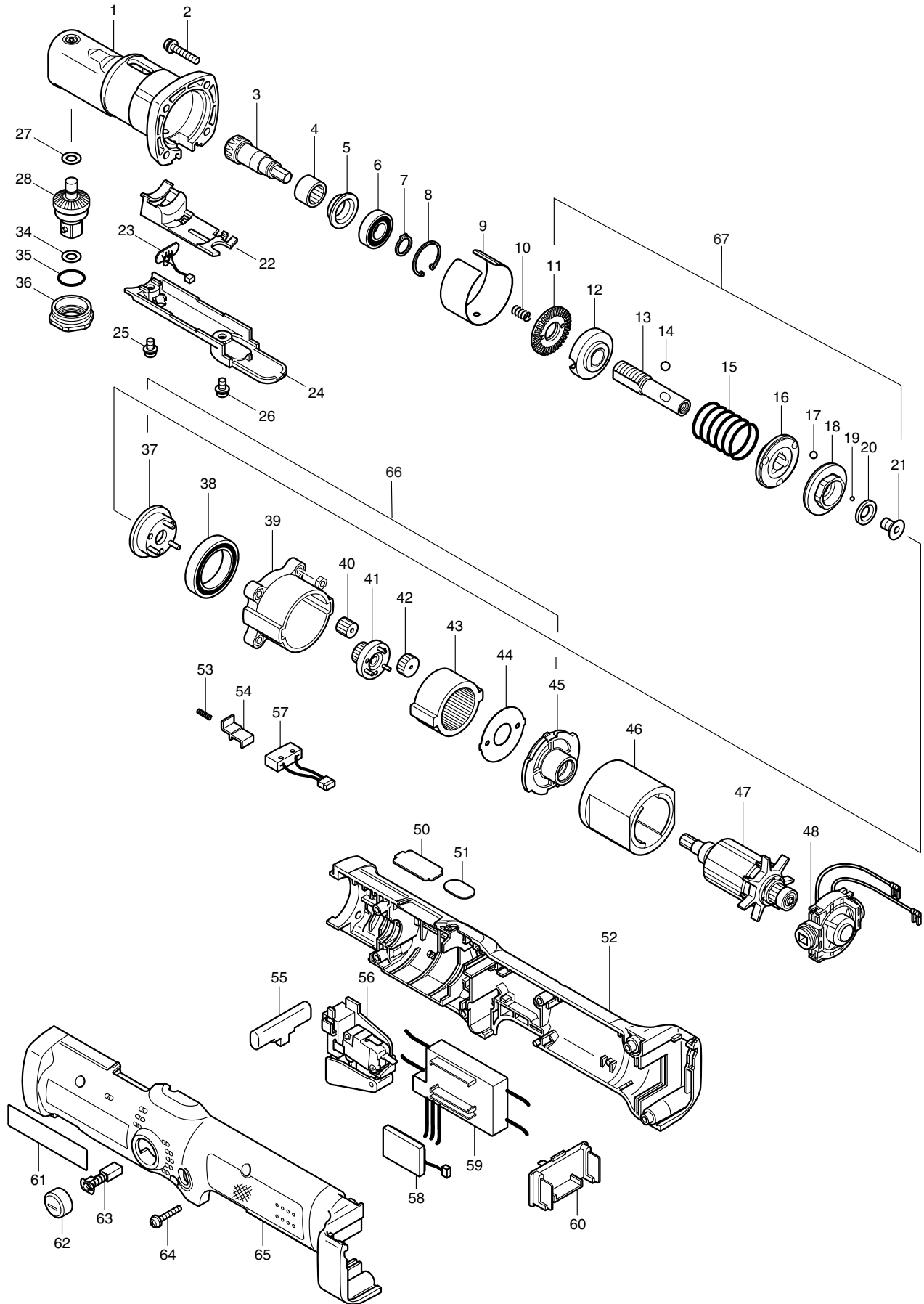




CORDLESS
9.6V ANGLE SOCKET DRIVER

MODEL BFL080FZ



Item No.	Part No.	Qty. Used	Description	Item No.	Part No.	Qty. Used	Description
1	153440-2	1	ANGLE HEAD COMPLETE	60	643800-1	1	TERMINAL
2	911143-2	4	PAN HEAD SCREW M4X22	61	819003-1	1	MAKITA LABEL
3	227446-7	1	SPIRAL BEVEL GEAR 9	62	643933-2	2	BRUSH HOLDER CAP
4	212123-4	1	NEEDLE BEARING 1210	63	193466-2	1	CARBON BRUSH CB-434
5	345281-2	1	SPACER	64	911038-9	6	PAN HEAD SCREW M3X20
6	210057-5	1	BALL BEARING 6900LLB	65	183509-8	1	HOUSING SET (INCL. FIG. 52,& 61)
7	961026-6	1	RETAINING RING S-10	66	125189-4	1	GEAR ASSEMBLY A (INCL. FIG. 37-45)
8	962112-6	1	RETAINING RING R-22	67	125193-3	1	CLUTCH ASSEMBLY A (INCL. FIG. 11-21)
9	345285-4	1	RING 38A				
10	233019-6	1	COMPRESSION SPRING 5				
11	324281-5	1	LOCK NUT M12				
12	153442-8	1	ADJUST RING COMPLETE				
13	324296-2	1	SPINDLE				
14	216018-3	3	STEEL BALL 5.0				
15	233356-8	1	COMPRESSION SPRING 19A				
16	223140-9	1	CAM B				
17	216024-8	3	STEEL BALL 4				
18	223139-4	1	CAM A				
19	216019-1	13	STEEL BALL 3				
20	267247-1	1	FLAT WASHER 7				
21	266305-0	1	TORX C.S HEAD SCREW M5X10				
22	418011-5	1	LIGHT HOLDER				
23	631513-6	1	LED CIRCUIT				
24	418005-0	1	LIGHT COVER				
25	911108-4	1	PAN HEAD SCREW M4X8				
26	911108-4	1	PAN HEAD SCREW M4X8				
27	253726-5	1	FLAT WASHER 6				
28	153441-0	1	SPINDLE A COMPLETE				
34	253842-3	1	FLAT WASHER 14				
35	213162-7	1	O RING 14				
36	285707-1	1	BEARING RETAINER 14-23				
37	153443-6	1	CARRIER COMPLETE A				
38	211375-4	1	BALL BEARING 6805LLB				
39	418004-2	1	GEAR CASE				
40	227050-2	3	SPUR GEAR 13				
41	153445-2	1	SPUR GEAR 20 COMPLETE A				
42	227049-7	3	SPUR GEAR 18				
43	227048-9	1	INTERNAL GEAR 47				
44	267774-8	1	LOCK WASHER				
45	418003-4	1	MOTOR BRACKET				
46	638183-2	1	YOKE UNIT				
47	619094-0	1	ARMATURE				
48	687138-4	1	ENDBELL COMPLETE				
50	345282-0	1	PLATE A				
51	418001-8	1	LENZ				
52	183509-8	1	HOUSING SET (INCL. FIG. 61,& 65)				
53	233025-1	1	COMPRESSION SPRING 2				
54	418002-6	1	SWITCH LEVER				
55	417511-2	1	F/R CHANGE LEVER				
56	650536-5	1	SWITCH C3Z-5-01				
57	638184-0	1	SWITCH UNIT				
58	631514-4	1	BUZZER CIRCUIT				
59	631511-0	1	CONTROLLER				
				ACCESSORIES			
				F02	193531-7	1	BATTERY BH9020A
				F05	193536-7	1	BATTERY BH9033A
				F13	418032-7	1	PROTECTOR(YELLOW)
				F14	418064-4	1	PROTECTOR(BLUE)
				F15	418065-2	1	PROTECTOR(RED)
				F16	418066-0	1	PROTECTOR(NON COLOR)