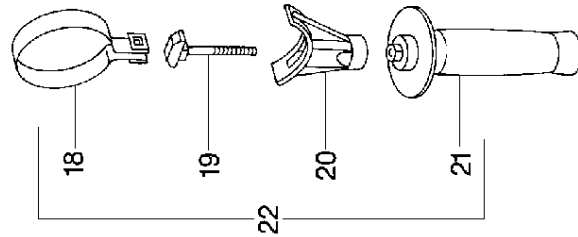
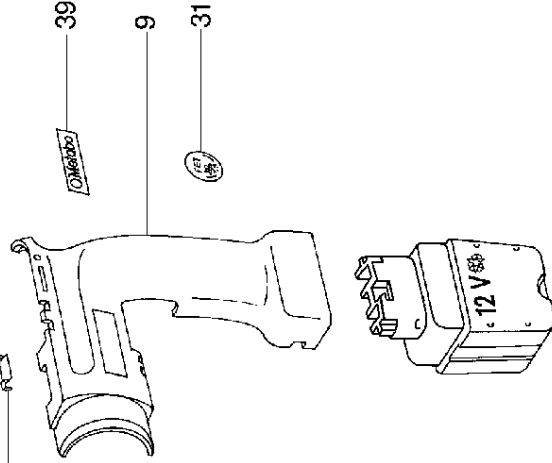
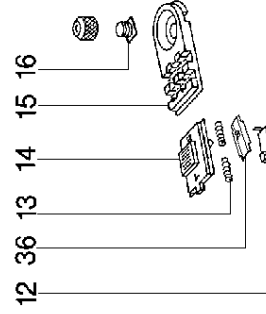
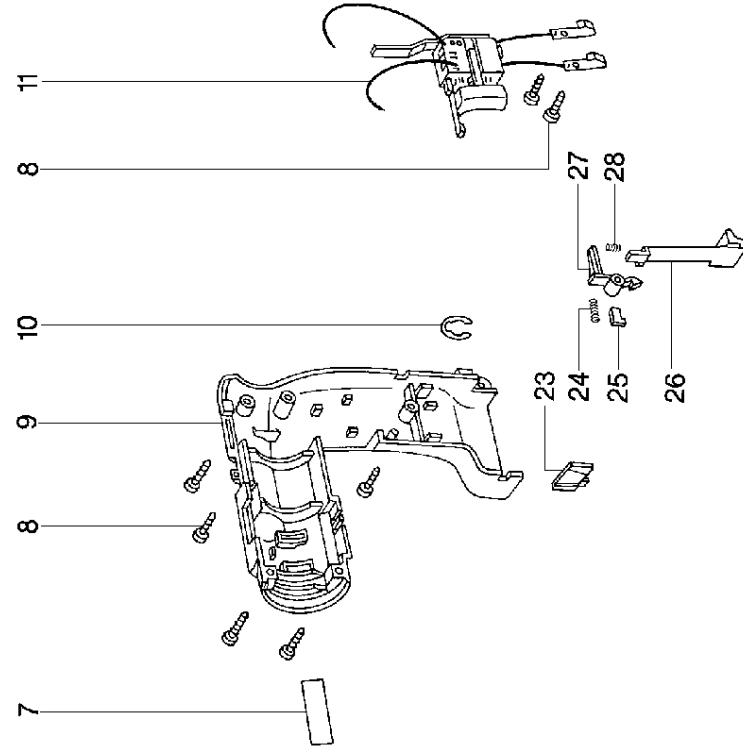
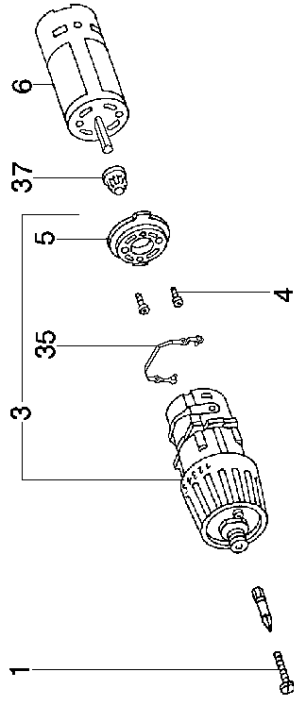
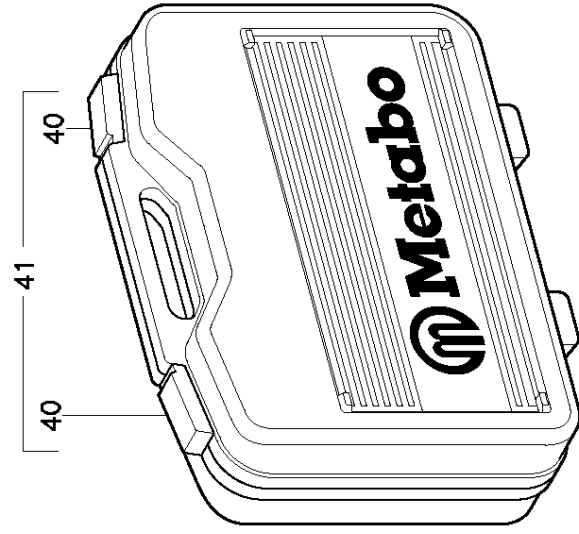


1001



ITEM	PART NO.	QTY.	PART DESIGNATION
0001	341702790	1	Cap screw
0003	316024380	1	Gear-box cpl.
0004	141111060	2	Cap screw
0005	343369630	1	Flange
0006	317001920	1	DC-motor 12 v
0007	338029220	1	Rating plate
0008	141113180	7	Self-tap. fill. h. screw
0009	343369320	1	Motor housing
0010	141181690	1	Circlip
0011	343405910	1	Switch
0012	339127050	1	Shift sheet
0013	342002250	2	Pressure spring
0014	343369620	1	Switch slide
0015	343369350	1	Screwdriver-bit depot
0016	343369680	1	Clamping bush holder
0018	339127060	1	Clamping band
0019	341702460	1	T-head bolt
0020	343369370	1	Clamping piece
0021	314000550	1	Handle
0022	314000680	1	Support handle cpl.
0023	343369130	1	Housing plug
0024	342002230	1	Pressure spring
0025	339126990	1	Cover
0026	343369270	1	Slide
0027	341055370	1	Latch
0028	342002240	1	Pressure spring
0031	338111280	1	Indication label
0035	339127240	1	Shift strap
0036	339127230	1	Spacer sheet
0037	340032050	1	Pinion
0039	338111010	1	Metabo label
0040	316028190	1	Carry case lock set (left and
0041	344451860	1	PLASTIC CARRY CASE
1001	xxxxxxxxx	1	Diagram