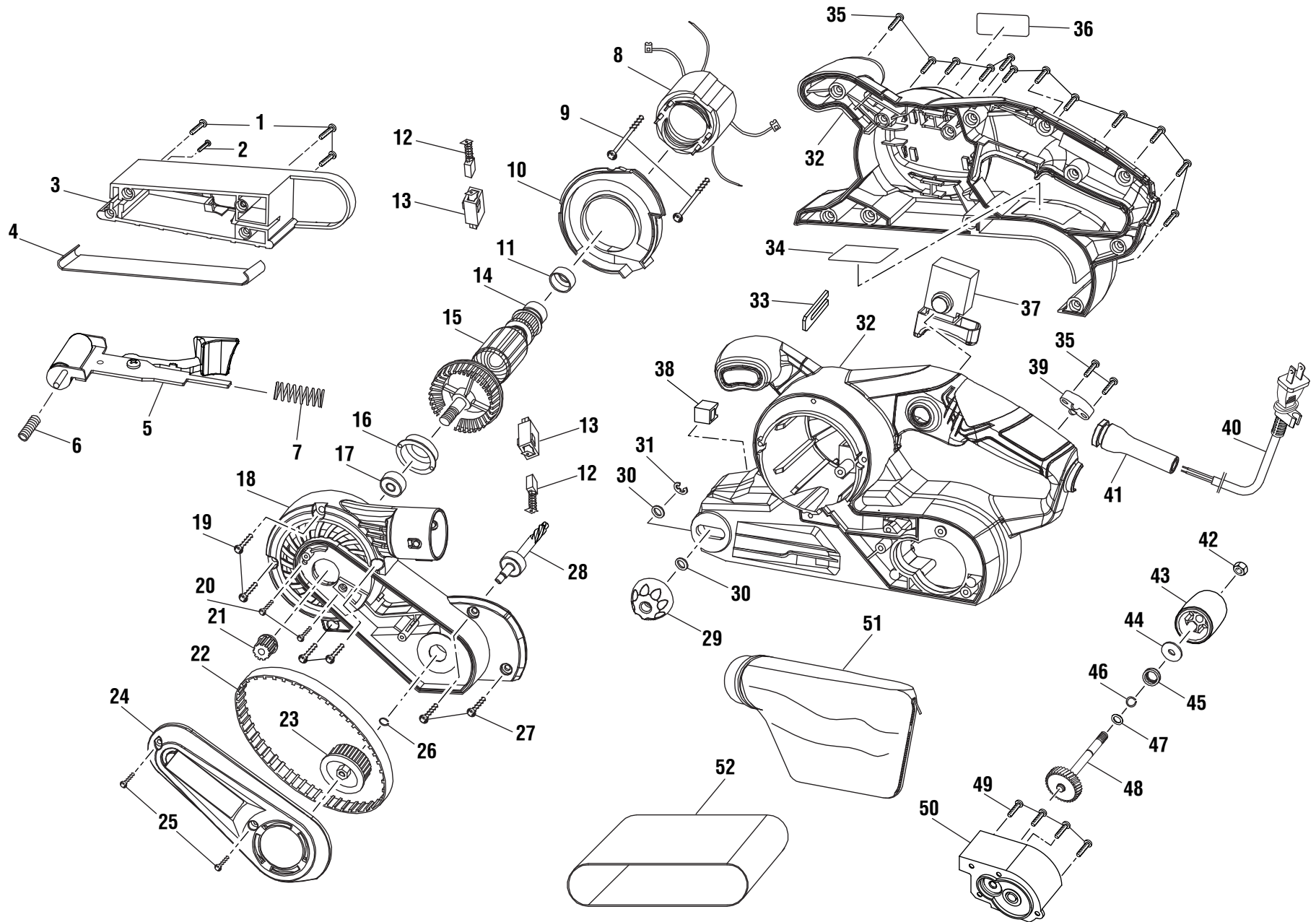


**RYOBI  
BELT SANDER  
MODEL NUMBER  
BE319  
REPAIR SHEET**

**RYOBI BELT SANDER – MODEL NUMBER BE319**



**Note:** The assembly shown represents an important part of the double insulated system. To avoid the possibility of alteration or damage to the System, service should be performed by your nearest Ryobi authorized Service Center. For the service center nearest you call 1-800-525-2579.

## RYOBI BELT SANDER – MODEL NUMBER BE319

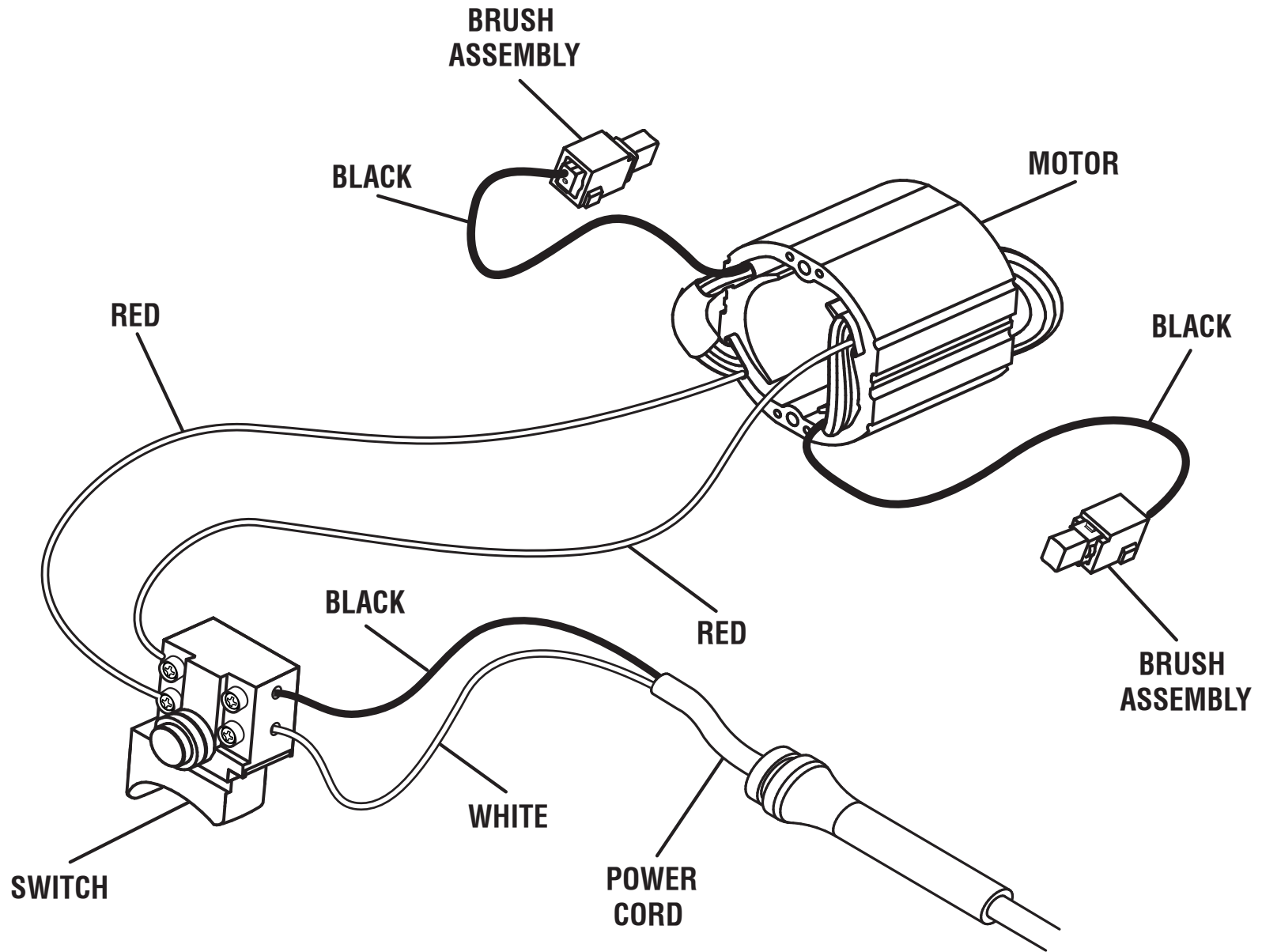
The model number will be found on a label attached to the motor housing. Always mention the model number in all correspondence regarding your **BELT SANDER** or when ordering repair parts.

### PARTS LIST

KEY NO.	PART NUMBER	DESCRIPTION	QTY	KEY NO.	PART NUMBER	DESCRIPTION	QTY
1	039820001034	Screw (M4 x 16 mm) .....	3	29	039820001012	Adjustment Knob.....	1
2	039820001033	Screw (M3 x 16 mm) .....	1	30	039820001011	Washer .....	2
3	039820001032	Belt Clamp Device.....	1	31	039820001010	Retaining Ring .....	1
4	039820001031	Bottom Plate .....	1	32	039820001101	Housing Assembly (Inc. Key No. 38).....	1
5	039820001104	Yoke / Front Roller Assembly .....	1	33	039820001006	Stopper.....	1
6	039820001023	Compression Spring.....	1	34	941488123	Data Label .....	1
7	039820001022	Compression Spring.....	1	35	039820001004	Screw (M4 x 16 mm Pan Hd.) .....	14
8	039820001013	Field.....	1	36	940114116	Logo Label .....	1
9	039820001014	Screw (M3.5 x 60 mm Pan Hd.) .....	2	37	039820001001	Switch.....	1
10	039820001015	Baffle .....	1	38	039820001009	Ceramic Block.....	1
11	039820001016	Bearing Cap .....	1	39	039820001005	Cord Clamp .....	1
12	039820001019	Brush Assembly .....	2	40	039820001002	Power Cord .....	1
13	039820001102	Brush Holder Assembly.....	2	41	039820001003	Bend Relief .....	1
14	039820001020	Ball Bearing (626-2Z).....	1	42	039820001049	Hex Nut (M8 LH Threads).....	1
15	039820001103	Armature Assembly (Inc. Key No. 14).....	1	43	039820001105	Drum Wheel Assembly .....	1
16	039820001035	Rotor Mounting Plate .....	1	44	039820001052	Washer .....	1
17	039820001036	Ball Bearing (608-2RS).....	1	45	039820001053	Wave Washer.....	1
18	039820001037	Blower Housing .....	1	46	039820001054	Split Ring .....	1
19	039820001038	Screw (M4 x 30 mm) .....	4	47	039820001059	Adjustment Washer .....	1
20	039820001039	Screw (M3 x 10 mm) .....	2	48	039820001107	Drive Shaft Assembly .....	1
21	039820001040	Drive Pulley.....	1	49	039820001055	Screw (M4.1 x 16 mm) .....	4
22	039820001041	Timing Belt .....	1	50	039820001106	Support Assembly.....	1
23	039820001044	Driven Pulley.....	1	51	039820001064	Dust Bag Assembly.....	1
24	039820001042	Belt Cover.....	1	52	039820001063	Sanding Belt.....	1
25	039820001043	Screw (M3 x 12 mm) .....	2	<b>Not Shown:</b>			
26	039820001045	Spring Washer.....	1	991000168	Operator's Manual (961152363)		
27	039820001046	Screw (M4 x 13 mm) .....	1	3-9-16			
28	039820001108	Helical Gear Shaft and Bearing .....	1	(Rev:02)			

**⚠ WARNING: Improper repair of a double insulated tool can result in damages to the double insulation system possibly causing electrical shock or electrocution. Any repairs requiring disassembly of your tool requires safety testing and should only be performed by a Ryobi Authorized Service Center or other qualified service organization.**

RYOBI BELT SANDER – MODEL NUMBER BE319



WIRING DIAGRAM