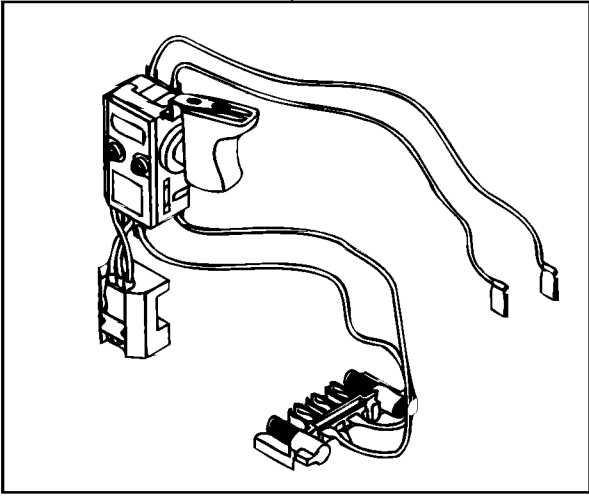


2

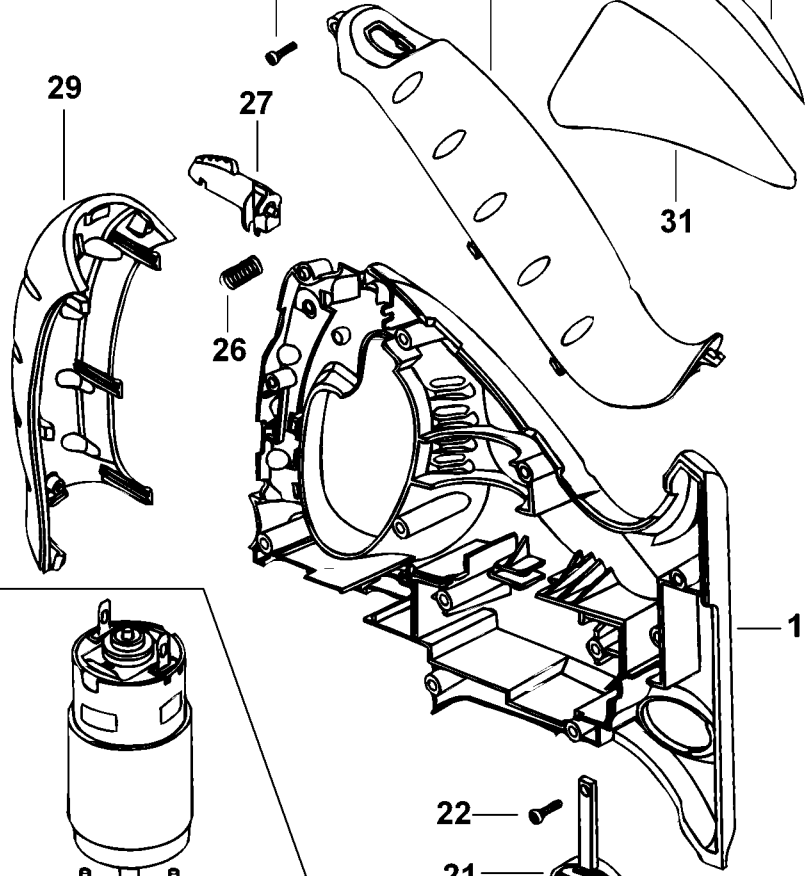


29

27

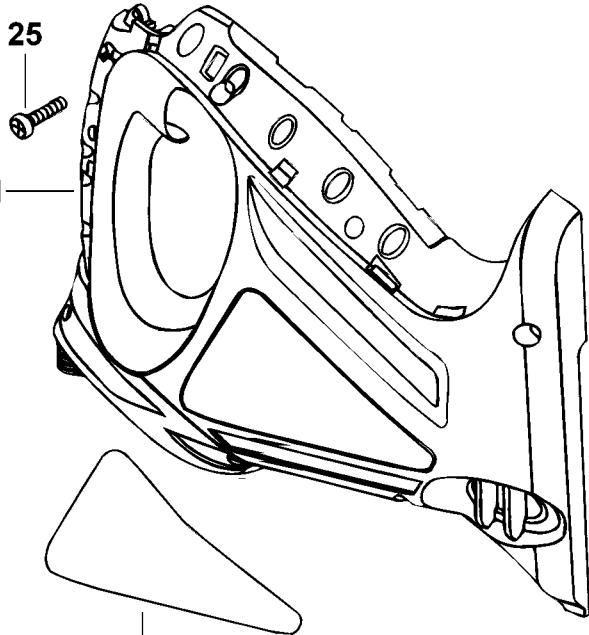
31

26



25

1

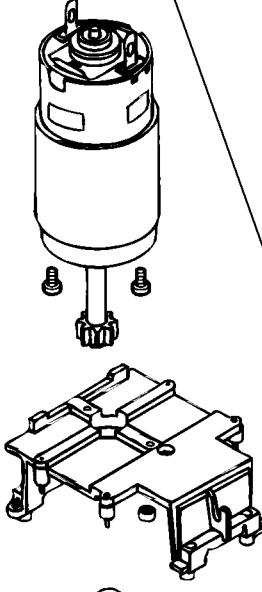


22

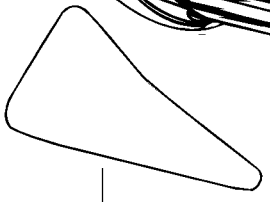
21



3



23

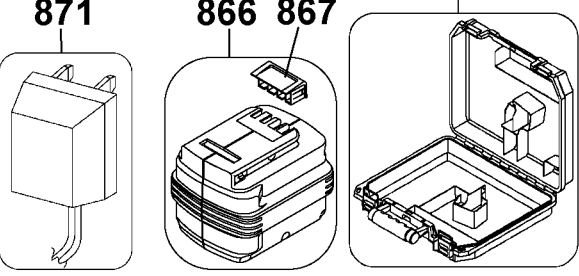


871

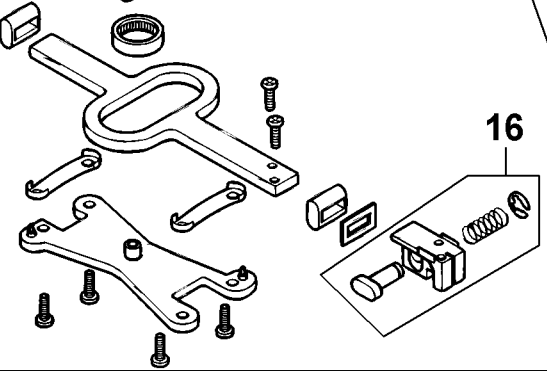
866

867

861



16



Parts List for BDPHS180G Type 1

Item Number	Part Number	Description	Qty Required
1	5105104-00	CLAMSHELL SET	1
2	5100189-01	VS SWITCH	1
3	5105112-02	MOTOR & GEARCASE	1
16	5107034-00	BLADE CLAMP ASY	1
21	5105111-00	BLADE LOCK BUTTON	1
22	5101503-00	SCREW	1
23	5105121-06	NAMEPLATE	1
25	5103541-00	SCREW	8
26	000000-00	No Longer Available	1
27	5105109-00	ACTUATOR	1
28	419471-00	SCREW	1
29	5105106-00	HANDLE COVER	1
30	5105105-00	FRONT COVER	1
31	5105120-00	BRAND LABEL	1
32	5105125-00	LABEL, INFO.	1
861	498749-03	KIT BOX	1
866	HPB18	BATTERY	1
867	5102026-00	BATTERY CAP	1
871	5103069-12	CHARGER	1