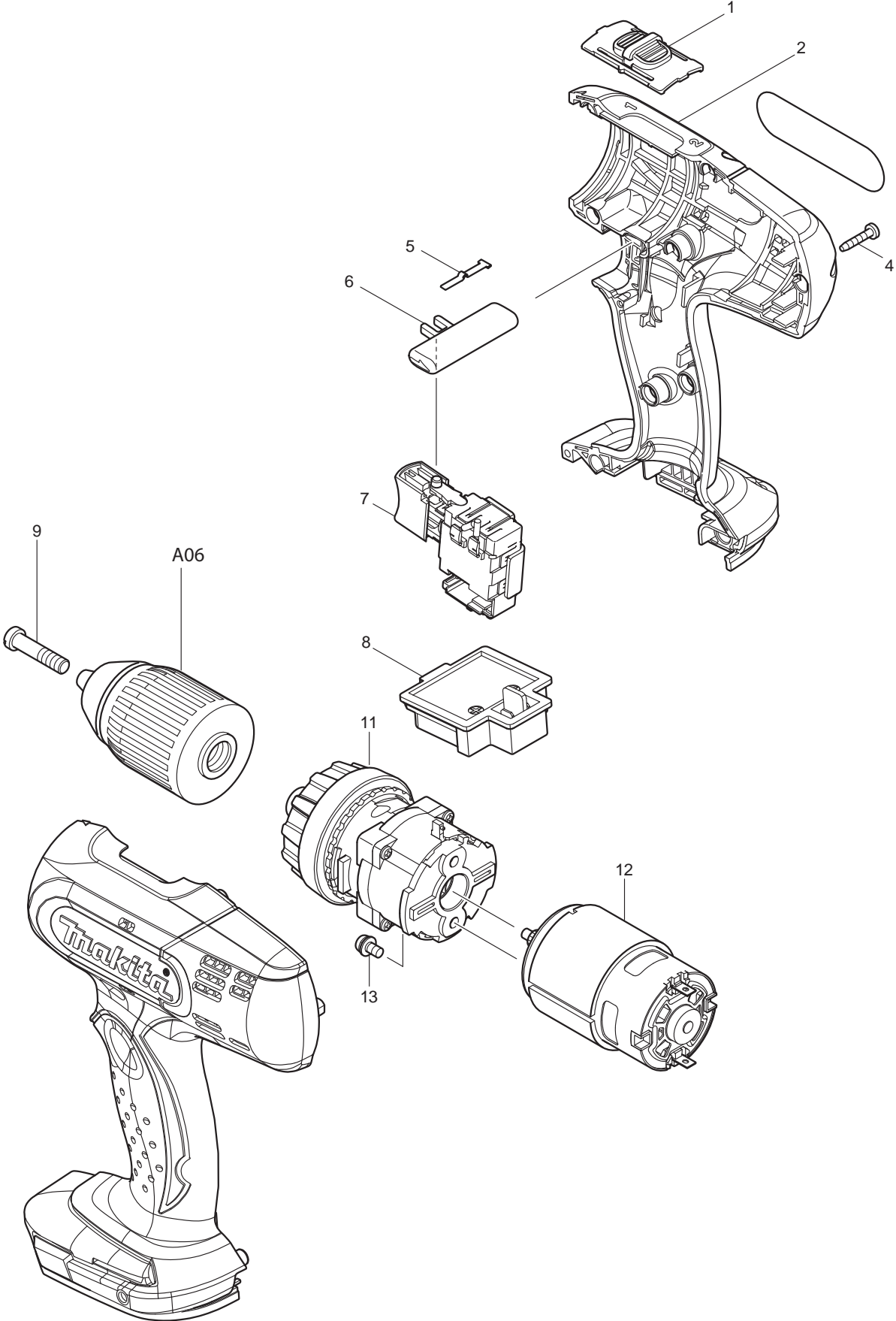




01 - 2010
BDF453 / BDF453Z / BDF453H
18V 1/2" DRIVER DRILL



| Item No | Type | Part No | Description | Qty | Unit |
|---------|------|---------------|--|-----|------|
| 1 | | 125310-5 | SPEED CHANGE LEVER ASS'Y | 1 | PC. |
| | | INC. 231433-0 | COMPRESSION SPRING 4 | 2 | PC. |
| 2 | 1 | 188542-5 | * HOUSING SET (TYPE 1-2) | 1 | SET |
| | 3 | 187363-2 | * HOUSING SET (TYPE 3) | 1 | SET |
| 4 | | 266130-9 | TAPPING SCREW BIND PT 3X16 | 9 | PC. |
| 5 | | 232182-2 | LEAF SPRING | 1 | PC. |
| 6 | | 419250-0 | F/R CHANGE LEVER | 1 | PC. |
| 7 | 1 | 650604-4 | * SWITCH TG563FSB-4 (TYPE 1-2) | 1 | PC. |
| | 3 | 632A24-0 | * SWITCH UNIT (TYPE 3) | 1 | PC. |
| 8 | 1 | 643812-4 | * TERMINAL, BLACK | 1 | PC. |
| | 2 | 643844-1 | * TERMINAL, YELLOW | 1 | PC. |
| | 3 | 643852-2 | * TERMINAL | 1 | PC. |
| 9 | | 251472-4 | - FLAT HEAD SCREW M6X26 | 1 | PC. |
| 11 | | 125483-4 | GEAR ASS'Y | 1 | PC. |
| 12 | | 629834-8 | DC MOTOR | 1 | PC. |
| 13 | | 911108-4 | PAN HEAD SCREW M4X8 | 2 | PC. |
| 100 | | 251314-2 | + SCREW M4X12 (F/HOOK) | 1 | PC. |
| A01 | | 784636-0 | + BIT 2-65 | 1 | PC. |
| A02 | | DC18SD | CHARGER DC18SD F/BL1815 | 1 | PC. |
| A02 | | DC18SE | 12V AUTOMOTIVE CHARGER DC18SE | 1 | PC. |
| A02 | | DC18RAKIT | DC18RA+BL1830 KIT | 1 | SET |
| A02 | | DC24SA | CHARGER DC24SA F/7.2-24V, 1.3-3.3AH BATTERY - N/L/A | 1 | PC. |
| A02 | | DC24SC | CHARGER F/7.2-24V, 1.3-3.3AH | 1 | PC. |
| A03 | | 194309-1 | 18V LI-ION BATTERY BL1815 | 2 | EA. |
| A03 | | 194428-3 | 18V LI-ION BATTERY BL1815, 2/PK | 1 | PK. |
| A04 | | 450128-8 | BATTERY COVER | 1 | PC. |
| A05 | | 158777-2 | PLASTIC CARRYING CASE | 1 | PC. |
| | | INC. 163455-1 | METAL LATCH | 2 | PC. |
| | | INC. 419360-3 | HANDLE | 1 | PC. |
| A06 | 1 | 763193-1 | 1/2" KEYLESS DRILL CHUCK | 1 | PC. |
| | 2 | 766027-7 | 1/2" KEYLESS DRILL CHUCK | 1 | PC. |
| A07 | 1 | 346034-2 | HOOK F/BL1415, BL1815 | 1 | PC. |
| | 2 | 346449-3 | HOOK,COMPACT,F/14.4V,18V From April 2013 | 1 | PC. |

SERVICE CHANGES

1. Changes on Switch, Terminal, and Housing Set (Battery Protection Circuit)

(T/I# 93856)

| Item No. | Description | Type 1 | Type 2 | Type 3 |
|----------|-------------|----------|----------|----------|
| 2 | HOUSING SET | | 188542-5 | 187363-2 |
| 7 | SWITCH | | 650604-4 | 632A24-0 |
| 8 | TERMINAL | 643812-4 | 643844-1 | 643852-2 |

Above parts are completely interchangeable as a set.

Service Note:

- Use new parts for repair of the model manufactured on or after December 2011 with using Yellow lead wire between Switch and Terminal.
- Use current parts for repair of the model manufactured before December 2011 without using Yellow lead wire between Switch and Terminal.

*** See Technical Information No. 93856 for Wiring changes.**