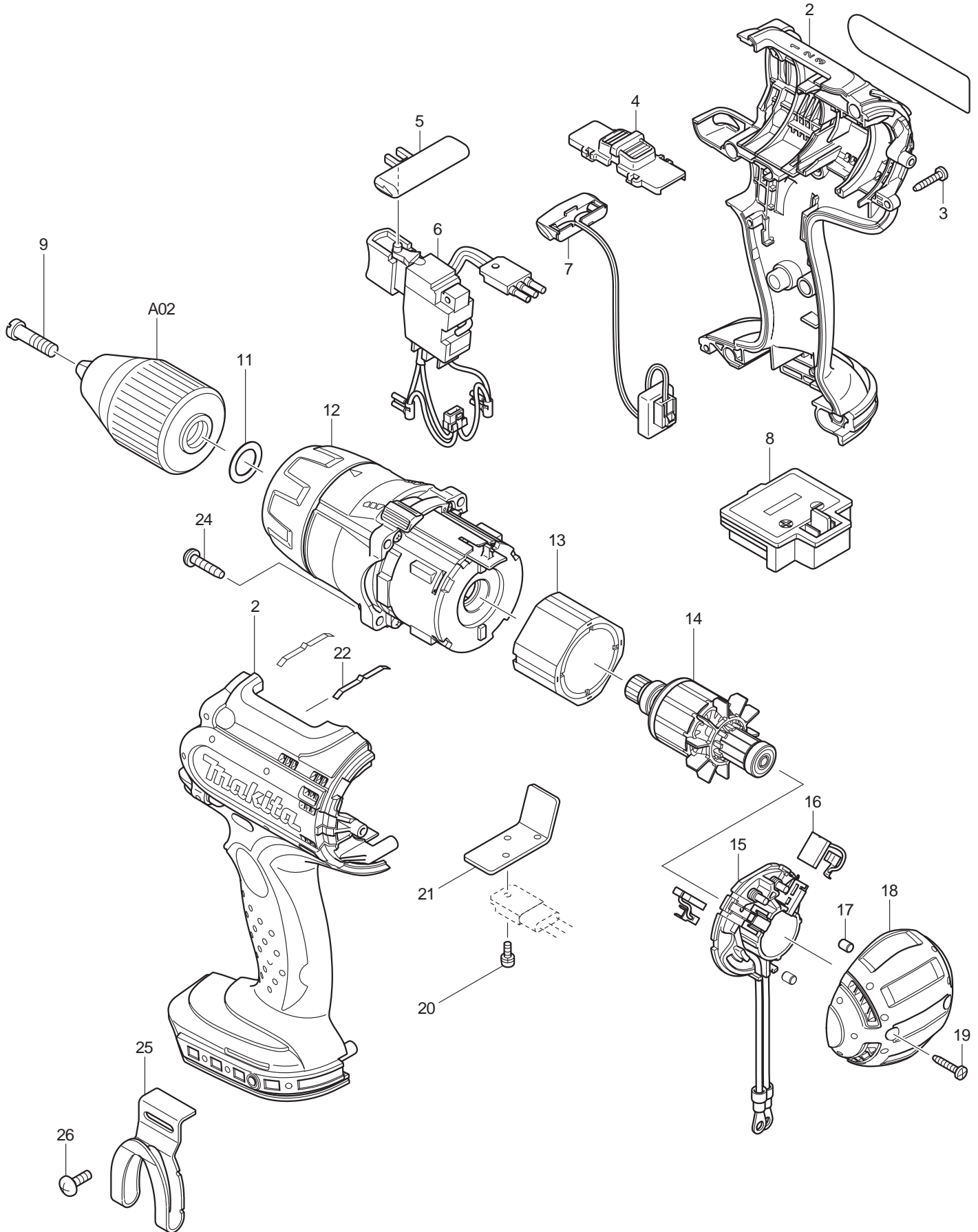




08 - 2008  
BDF451 / BDF451Z  
18V 1/2" DRIVER DRILL



Item No	Type	Ref	Part No	Description (*See Service Change)	Qty	Unit
2	1		188031-0	* HOUSING SET (TYPE 1-2)	1	SET
	3		187142-8	* HOUSING SET (TYPE 3)	1	SET
3			266130-9	TAPPING SCREW BIND PT 3X16	8	PC.
4	1		125316-3	* SPEED CHANGE LEVER ASS'Y -N/L/A	1	PC.
		INC.	233438-6	* COMPRESSION SPRING 4	2	PC.
	2		125435-5	* SPEED CHANGE LEVER ASS'Y	1	PC.
		INC.	233438-6	* COMPRESSION SPRING 4	2	PC.
5			419250-0	F/R CHANGE LEVER	1	PC.
6	1		650573-9	* SWITCH TG553FSB-4 (TYPE 1-2)	1	PC.
	3		650653-1	* SWITCH TG553FSB-4B (TYPE 3)	1	PC.
7			631692-0	LIGHT CIRCUIT	1	PC.
8	1		643812-4	* TERMINAL, BLACK	1	PC.
	2		643838-6	* TERMINAL	1	PC.
	3		643859-8	* TERMINAL	1	PC.
	4		644808-8	* TERMINAL	1	PC.
9			251468-5	- FLAT HEAD SCREW M6X22	1	PC.
11			253798-0	FLAT WASHER 13	1	PC.
12	1		125318-9	* GEAR ASS'Y - N/L/A	1	PC.
		INC.	418763-8	* SPEED CHANGE RING- N/L/A	1	PC.
		INC.	268088-8	* PIN 1.2	2	PC.
	2		125433-9	* GEAR ASS'Y	1	PC.
		INC.	419558-2	* SPEED CHANGE RING	1	PC.
		INC.	268199-9	* PIN 1.4	1	PC.
13			638425-4	YOKE UNIT	1	PC.
14			619165-3	ARMATURE	1	PC.
15			638431-9	BRUSH HOLDER COMPLETE	1	PC.
16	1		194159-4	CARBON BRUSH CB-436 2PC/SET, W/O ORIGIN	1	PC.
	2		194427-5	CARBON BRUSH CB-440 2PC/SET, W/O ORIGIN	1	SET
	3		195021-6	CARBON BRUSH CB-440 2PC/SET, W/ ORIGIN	1	SET
17			263032-0	RUBBER PIN 4	2	PC.
18	2		419642-3	REAR COVER	1	PC.
19			266130-9	TAPPING SCREW BIND PT 3X16	2	PC.
20			911006-2	PAN HEAD SCREW M3X8	1	PC.
21			689145-3	HEATSINK	1	PC.
22			232220-0	LEAF SPRING	2	PC.
24			266045-0	TAPPING SCREW 4X20	4	PC.
25	2		324705-1	* HOOK F/ BL1430, BL1830	1	PC.
	3		346449-3	* HOOK F/ BL1430, BL1830	1	PC.
26			251314-2	+ SCREW M4X12 (F/HOOK)	1	PC.
200			652045-0	(+) PAN HEAD SCREW M3.5X5(F/SWITCH)	2	PC.
<b><u>ACCESSPROES</u></b>				<b>- See catalogue or visit <a href="http://www.makita.ca">www.makita.ca</a> for more optional accessories -</b>		
A01			122749-3	GRIP ASS'Y	1	PC.
		INC.	154835-2	GRIP36 COMPLETE	1	PC.
		INC.	266349-0	SQUARE BOLT M8X50	1	PC.
		INC.	345463-6	GRIP SPRING 60	1	PC.
		INC.	418768-8	GRIP BASE	1	PC.
A02			763191-5	1/2" KEYLESS DRILL CHUCK	1	PC.
A03	1		419276-2	BIT HOLDER	1	PC.
	2		452947-8	BIT HOLDER	1	PC.

Item No	Type	Ref	Part No	Description (*See Service Change)	Qty	Unit
A04	1		DC18RA	CHARGER DC18RA	1	PC.
		2	DC18RC	CHARGER DC18RC	1	PC.
		DC18SD	CHARGER DC18SD	1	PC.	
		DC18SE	12V AUTOMOTIVE CHARGER DC18SE	1	PC.	
		DC24SC	CHARGER F/7.2-24V, 1.3-3.3AH BATTERY	1	PC.	
		DC18RAKIT	CHARGER & BATTERY KIT (DC18RA+BL1830)	1	SET	
A05			194205-3	18V LI-ION BATTERY BL1830	2	PC.
			194230-4	18V LI-ION BATTERY BL1830(3.0AH) 2/PK	1	SET
			194288-3	18V LI-ION BATTERY BL1830(3.0AH) 10/PK	1	SET
A06			784637-8	+ - BIT 2-45	2	PC.
A07	1		824754-3	PLASTIC CARRYING CASE (W/O SPONGE)	1	PC.
		INC.	419216-0	HANDLE	1	PC.
		INC.	417724-5	LATCH	2	PC.
		INC.	419268-1A	PLASTIC CASE LID, TAB TYPE (HOOK TYPE - N/L/A)	1	PC.
		INC.	419269-9	PLATE	5	PC.
		INC.	324667-3	SHAFT	1	PC.
		2		140354-4	PLASTIC CARRYING CASE (W/SPONGE)	1
	INC.	419216-0	HANDLE	1	PC.	
	INC.	417724-5	LATCH	2	PC.	
	INC.	419268-1A	PLASTIC CASE LID, TAB TYPE (HOOK TYPE - N/L/A)	1	PC.	
	INC.	419269-9	PLATE	5	PC.	
	INC.	324667-3	SHAFT	1	PC.	
	INC.	163455-1	METAL LATCH	2	PC.	
	A07	Opt.1		824812-5	PLACTIC CARRYING CASE (BLOW MOLD)	1
Opt.2			142146-7	PLACTIC CARRYING CASE (BLOW MOLD)	1	PC.
A08			450128-8	BATTERY COVER	1	PC.
A09			194649-7	BATTERY PROTECTOR (F/ BL1430, BL1830)	1	PC.

**SERVICE CHANGES**

**1. Changes on Speed Change Lever Assy and Gear Assy**

Item No.	Description	Type 1	Type 2
4	Speed Change Lever Assy	125316-3	125435-5
12	Gear Assy	125318-9	125433-9

Above parts are completely interchangeable as a set.

**2. Changes on Switch, Terminal, and Housing Set (Battery Protection Circuit)**

(T/I# 84907) (T/I# 91055) (T/I# A0105)

Item No.	Description	Type 1	Type 2	Type 3	Type 3
2	HOUSING SET		188031-0		187142-8
6	SWITCH		650573-9		650653-1
8	TERMINAL	643812-4	643838-6	643859-8	644808-8

Above parts are completely interchangeable as a set.

**Service Note:**

- Use new parts for repair of the model manufactured on or after May 2011 with using Yellow lead wire between Switch and Terminal.
- Use current parts for repair of the model manufactured before May 2011 without using Yellow lead wire between Switch and Terminal.

\* See *Technical Information No. 91094 for Wiring changes.*

**3. Changes on Hook**

(T/I# 98407)

Item No.	Description	Type 2	Type 3
25	HOOK	324705-1	346449-3

Width has been changed wide size to narrow size

