



BARRANCA DIAMOND

## BD7 Trim Saw

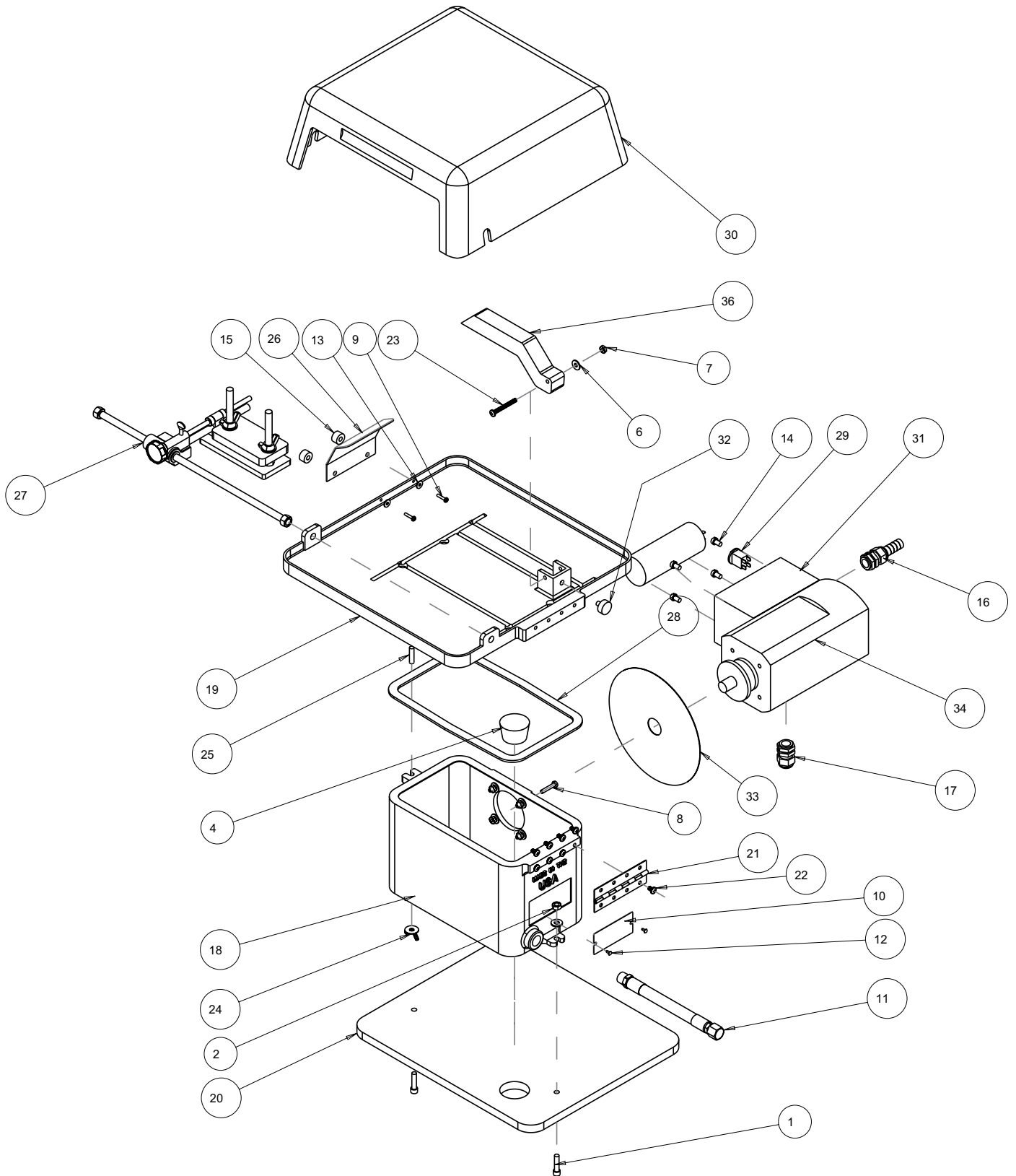
### PARTS LIST



Revision 110	04.2019
Manual Part No. 169750	

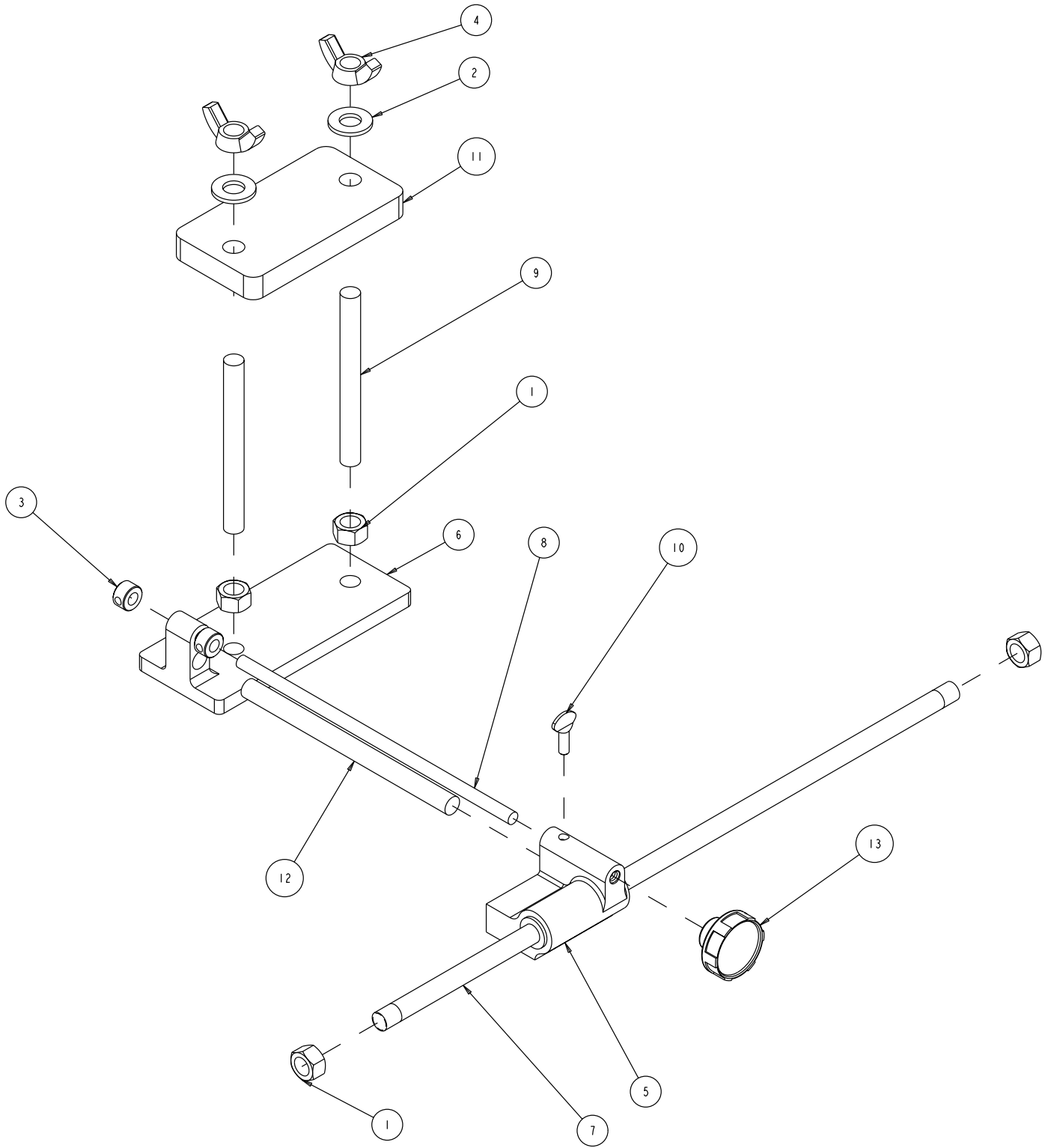
**Caution:** Read all safety and operating instructions before using this equipment. This manual **MUST** accompany the equipment at all times.

Barranca Diamond Products, Inc.  
1315 Storm Parkway  
Torrance, CA 90501  
Toll-Free: (800) 630-7682  
Phone: (310) 523-5867  
Fax: (310) 257-3063  
[www.barrancadiamond.com](http://www.barrancadiamond.com)



ITEM	DESCRIPTION	PART #	QTY.
1	SCREW, SOC HD CAP, 1/4 - 20 X 1	151049	2
2	NUT, HEX, 1/4 - 20	151893	2
3	WASHER, 1/4 SAE FLAT	151915	2
4	PLUG, RUBBER DRAIN W/O HOLE	153439-NL	1
5	WASHER, #10 SPLIT LOCK	153684	4
6	WASHER, #10 SAE FLAT	154369	5
7	NUT, HEX 10 - 32	156269	5
8	SCREW, 10 - 32 X 1 HEX HEAD CAP	156270	4
9	SCREW, PAN HD PHIL 6 - 32 X 5/8	157393	2
10	TAG, SERIAL #, BLANK	157500-RW	1
11	HOSE, OIL DRAIN, 3/8 MNPT	157577-05	1
12	DRIVE SCREW, #7 X 5/16 ROUND HEAD	157849	2
13	WASHER, #6 SAE FLAT	158231	2
14	SCREW, PAN HEAD SLOT M6 X 10MM	160214	4
15	SPACER, NYLON 3/8 LG. X 1/2 OD	161076	2
16	POWER CORD	167180	1
17	STRAIN RELIEF, HEYCO M4340	168265	1
18	TANK, COMP	168767	1
19	TABLE, COMP	168769	1
20	BASE, MOUNT	168770	1
21	HINGE, COMP	168771	1
22	SCREW PAN HEAD #10 - 32 X 5/16	168938	8
23	SCREW PAN HEAD #10 - 32 X 1 - 3/4"	168939	1
24	WING NUT FLANGED, 1/4 - 20	168941	1
25	ROD, THREADED COMP, TABLE	168942	1
26	GUARD, SPLASH	169380	1
27	ASSEMBLY, VISE (OPTIONAL)	169400	1
28	GASKET, TANK	169445	1
29	SWITCH, ROCKER	169448	1
30	HOOD, CLEAR PLASTIC (OPTIONAL)	169730	1
31	ENCLOSURE MOD	169731	1
32	SCREW, THUMB 1/4 20X 3/8	169740	1
33	BLADE, MK-303C, 7" X .030 X 1.0" BORE	169744	1
34	MOTOR, SOGA MR48 - B2, 110V, 60HZ	169745	1
35	COMES WITH MOTOR 169745	169745	1
36	GUARD, BLADE, COMP	169749	1

OPTIONAL VISE PART # 169400



## OPTIONAL VISE PART # 169400

ITEM	DESCRIPTION	PART #	QTY.
1	NUT, HEX, 3/8 - 16	101188	4
2	WASHER, FLAT, SAE, 3/8	150923	2
3	COLLAR, SHAFT 1/4 X 1/2	161066	2
4	NUT, WING 3/8 - 16	161715	2
5	CARRIAGE CASTING, COMP	169402	1
6	WISE CASTING, COMP	169404	1
7	ROD, CARRIAGE	169405	1
8	ROD, VISE TRAVEL	169406	1
9	ROCK ADJUSTMENT ROD	169407	2
10	SCREW, THUMB, #10 - 32 X 1/2, NYLON TIP	169408	1
11	WOOD CLAMP, VISE	169409	1
12	ROD, TRAVEL GUIDE	169412	1
13	KNOB, PLASTIC 1 - 1/4 DIA.	169739	1