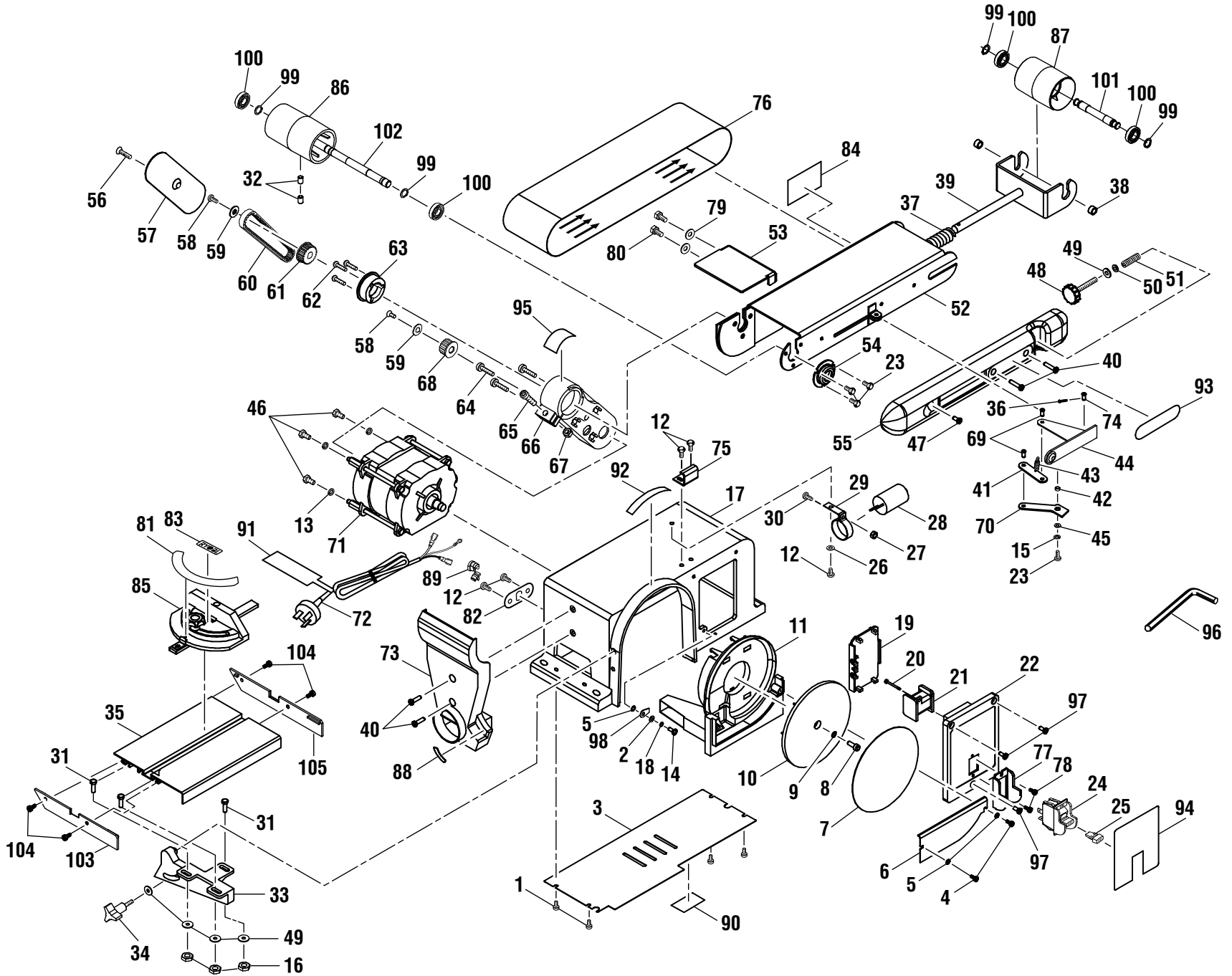


RYOBI
Belt and Disc Sander
Model No. BD4601G
Repair Sheet

ONE WORLD TECHNOLOGIES, INC.
P.O. Box 1288, Anderson, SC 29625 • Phone 1-800-525-2579
www.ryobitools.com

RYOBI BELT AND DISC SANDER - MODEL NUMBER BD4601G



RYOBI BELT AND DISC SANDER – MODEL NUMBER BD4601G

The model number will be found on a label attached to the motor housing. Always mention the model number in all correspondence regarding your **Belt and Disc Sander** or when ordering repair parts.

PARTS LIST

KEY NO.	PART NUMBER	DESCRIPTION	QTY	KEY NO.	PART NUMBER	DESCRIPTION	QTY
1	089027001049	Screw (M4 x 6 mm, Pan Hd.)	4	32	BD46053	Set Screw (M8 x 12 mm, Hex Hd.)	2
2	089027001050	Washer (D4)	1	33	089027001054	Work Table Support	1
3	089027001705	Base Cover w/Label (Inc. Key No. 90)	1	34	080027003005	Bevel Gauge Knob	1
4	BD46022	Screw (M4.2 x 10 mm, Pan Hd.)	2	35	089027001055	Work Table	1
5	BD46061	Lock Washer (D4, External Tooth)	3	36	BD46046	Cotter Pin (2 x 10)	1
6	089027001014	Disc Cover	1	37	BD46036	Belt Tension Spring	1
7	BD46102	*Sanding Disc (6 in., 80 Grit)	1	38	BD46028	Bushing	2
8	BD46080	Screw (M6 x 16 mm, Hex Soc. Hd.)	1	39	BD46035	Belt Tension Support	1
9	089027001015	Lock Washer (D6, External Tooth)	1	40	BD46060	Screw (M5 x 20 mm, Pan Hd.)	4
10	BD46091	Disc	1	41	BD46045	Connection Plate	1
11	089027001010	Disc Case	1	42	BD46042	Spacer	1
12	089027001017	Screw (M5 x 8 mm, Pan Hd.)	5	43	BD46110	Spring	1
13	089027001027	Spring Washer (D5)	3	44	080027003006	Belt Tension Lever	1
14	089027001019	Screw (M4 x 10 mm, Pan Hd.)	1	45	089027001032	Washer (D5)	1
15	089027001020	Lock Washer (D5, External Tooth)	1	46	089027001047	Screw (M4 x 10 mm)	3
16	089027001057	Nut (M6)	3	47	080027003012	Screw (M5 x 16 mm, Pan Hd.)	1
17	080027003004	Base	1	48	080027003003	Belt Tracking Knob	1
18	089027001052	Lock Washer (M4)	1	49	089027001056	Washer (D6)	5
19	089027001023	Switch Box Cover	1	50	BD46031	Rubber Washer	1
20	089027001024	Screw (M2.9 x 30 mm, Pan Hd.)	1	51	BD46030	Compression Spring	1
21	BD46016	Start Relay (WE101)	1	52	089027001035	Belt Support	1
22	080027003706	Switch Box (Inc. Key No. 94)	1	53	BD46054	Work Rest	1
23	BD46081	Screw (M5 x 10 mm, Pan Hd.)	4	54	BD46048	Bearing Cap	1
24	BD46125	Switch w/Key (Inc. Key 25)	1	55	BD46038	Frame Cover	1
25	080900062522	Switch Key	1	56	089027001036	Screw (M5 x 10 mm, Pan Hd.)	1
26	089027001026	Washer (M5)	1	57	089027001037	Belt Cover	1
27	080027003010	Hex Nut (M5, Type I)	1	58	BD46077	Screw (M5 x 16 mm, Left Hand Threads, Pan Hd.)	2
28	089027001028	Capacitor (100uf/125v)	1	59	BD46084	Lock Washer (Special)	2
29	080027003011	Capacitor Support	1	60	BD46075	Drive Belt	1
30	BD46077	Screw (M5 x 12 mm, Pan Hd.)	1	61	BD46015	Idler Pulley	1
31	089027002064	Bolt (M6 x 12 mm, Hex Hd.)	3				

RYOBI BELT AND DISC SANDER – MODEL NUMBER BD4601G

The model number will be found on a label attached to the motor housing. Always mention the model number in all correspondence regarding your **Belt and Disc Sander** or when ordering repair parts.

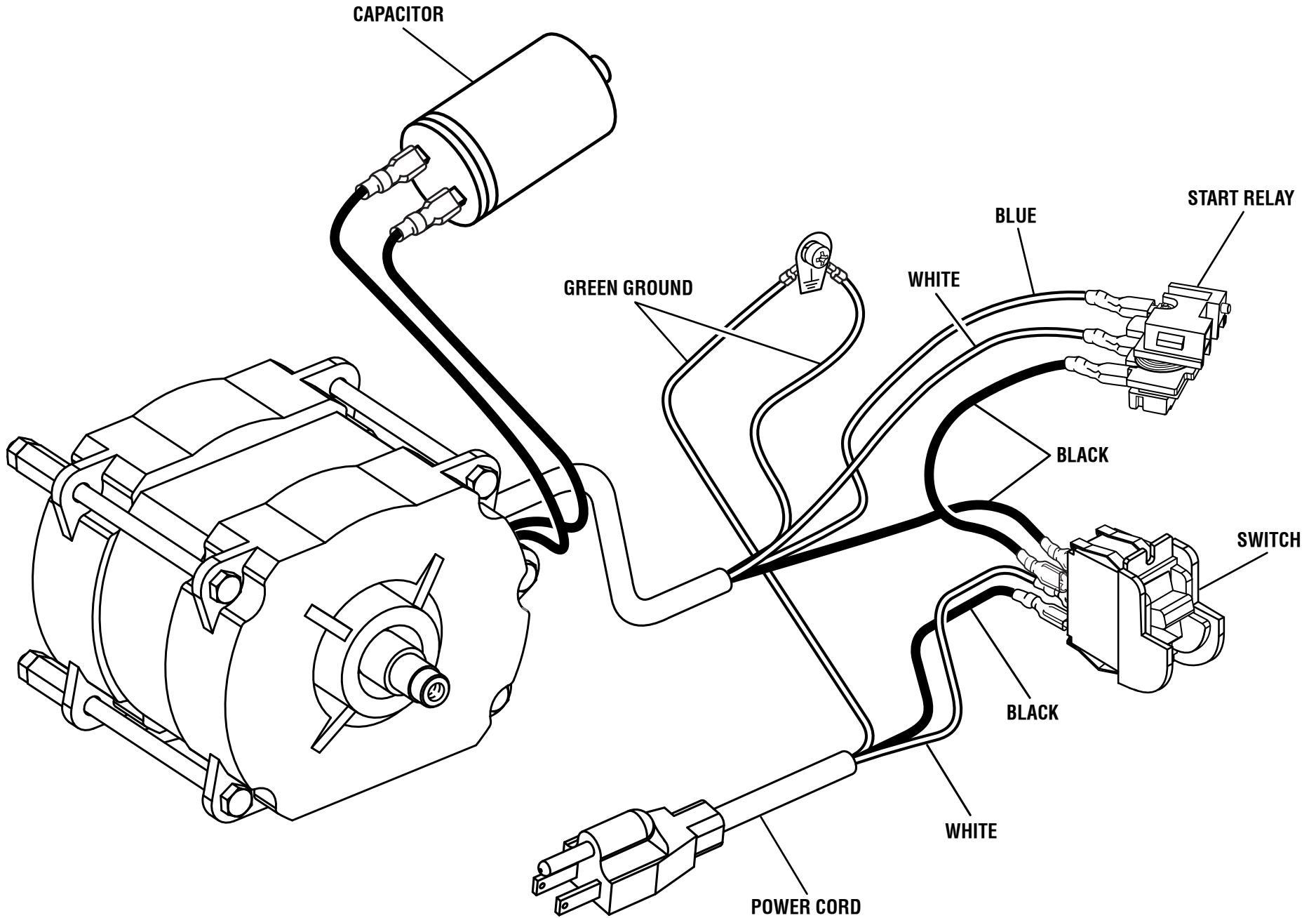
PARTS LIST

KEY NO.	PART NUMBER	DESCRIPTION	QTY	KEY NO.	PART NUMBER	DESCRIPTION	QTY
62	089027001018	Screw (M5 x 25 mm, Pan Hd.).....	3	86	BD46052	Drive Roller.....	1
63	089027001038	Bearing Base.....	1	87	BD46026	Idler Roller.....	1
64	089027001039	Screw (M6 x 25 mm, Pan Hd.).....	3	88	080027003008	Bevel Scale Label	1
65	089027001040	Screw (M8 x 25 mm, Hex Soc. Hd.).....	1	89	089027001034	Cord Clamp.....	1
66	089027001041	Belt Guard.....	1	90	089027001909	Do Not Remove Cover Label	1
67	089027001042	Square Nut (M8).....	1	91	089027001904	Cordwrap Warning Label (French and Spanish)	1
68	BD46076	Drive Pulley	1	92	080027003903	Disc Direction and Warning Label.....	1
69	BD46043	Roll Pin (5 x 8)	2	93	080027003902	Belt Direction Label.....	1
70	BD46044	Tension Plate.....	1	94	089027003007	Warning Label (English).....	1
71	089027001701	Motor Assembly.....	1	95	089027001910	Position Lock Label	1
72	089027001708	Power Cord w/Label (Inc. Key No. 91).....	1	96	089027001012	Hex Key (M6).....	1
73	089027003705	Dust Collection Port.....	1	97	089027001033	Screw (M4 x 10 mm, Pan Hd.).....	3
74	BD46034	Roll Pin (5 x 10)	1	98	089027001051	Grounding Tag.....	1
75	089027001044	Belt Frame Support.....	1	99	BD46027	Spring Washer (D12)	4
76	BD46024	*Sanding Belt (4 in. x 36 in., 80 Grit)	1	100	BD46025	Ball Bearing (101Z).....	4
77	BD46107	Switch Holder	1	101	BD46029	Idler Shaft.....	1
78	089027001045	Screw (M2.9 x 8 mm, Pan Hd.).....	2	102	089027001011	Drive Shaft	1
79	BD46004	Washer (D8).....	2	103	089027001059	Work Table Cap (Left).....	1
80	089027001046	Screw (M8 x 16 mm, Hex Soc. Hd.).....	2	104	089027001060	Screw (M3.9 x 9.5 mm)	4
81	080027003905	Miter Scale Label	1	105	089027001058	Work Table Cap (Right)	1
82	089027001048	Cord Clamp Plate.....	1				
83	080027003906	Miter Gage Logo Label	1		Not Shown:		
84	080027003901	Data Label.....	1		988000299	Operator's Manual	
85	080027003703	Miter Gauge Assembly (Inc. Key Nos. 81 and 83).....	1		5-24-18		
					(Rev:03)		

WARNING: Any repairs requiring disassembly of your tool requires safety testing and should only be performed by a Ryobi Authorized Service Center. For the service center nearest you call 1-800-525-2579.

* Standard Hardware Item – May Be Purchased Locally

RYOBI BELT AND DISC SANDER – MODEL NUMBER BD4601G



WIRING DIAGRAM