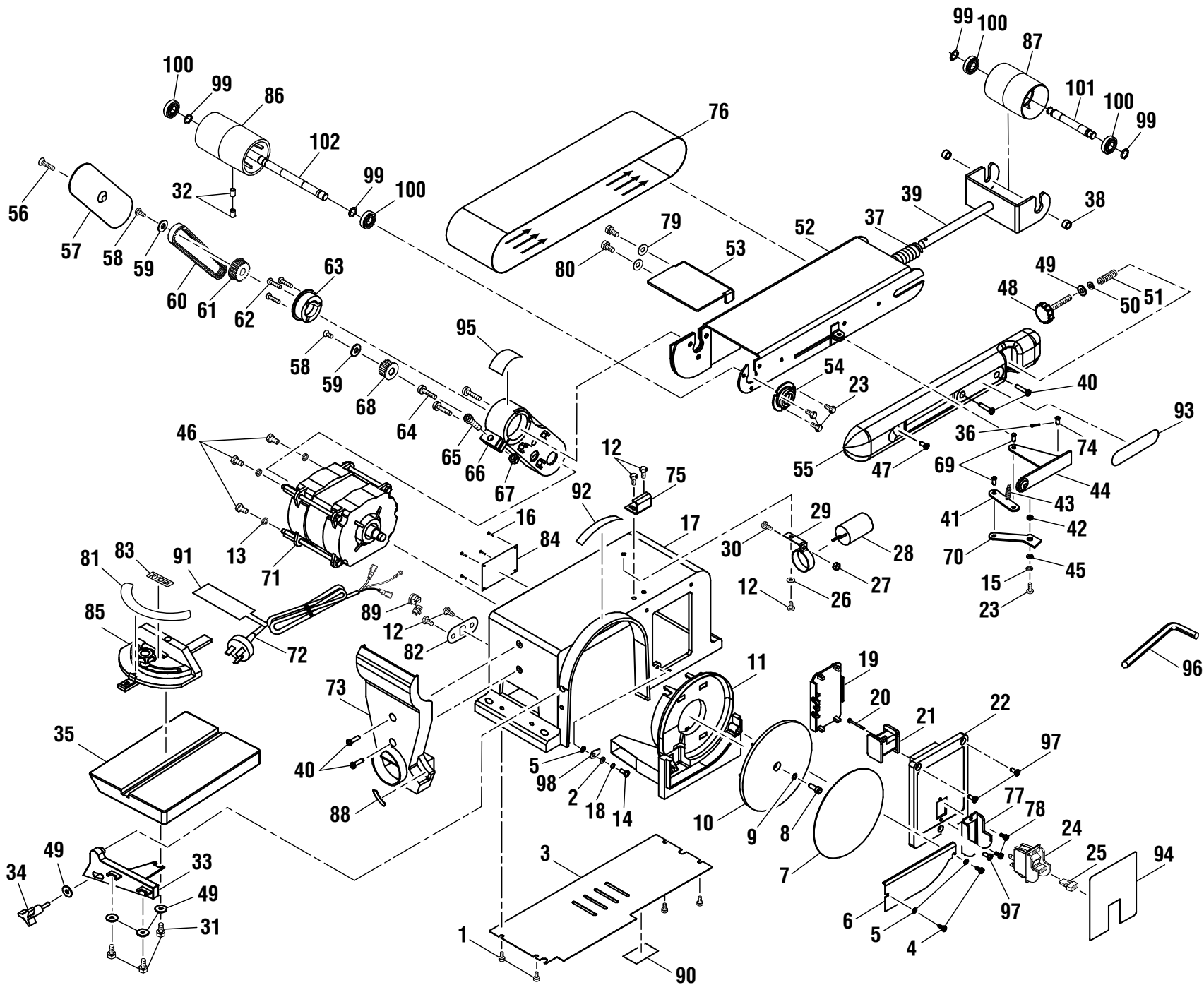


RYOBI BELT AND DISC SANDER - MODEL NUMBER BD4601



## RYOBI BELT AND DISC SANDER – MODEL NUMBER BD4601

The model number will be found on a label attached to the motor housing. Always mention the model number in all correspondence regarding your **Belt and Disc Sander** or when ordering repair parts.

### PARTS LIST

KEY NO.	PART NUMBER	DESCRIPTION	QTY.	KEY NO.	PART NUMBER	DESCRIPTION	QTY.
1	089027001049	Screw (M4 x 6 mm, Pan Hd.).....	4	31	089027001029	Bolt (M6 x 12 mm, Hex Hd.).....	3
2	089027001050	Washer (D4).....	1	32	BD46053	Set Screw (M8 x 12 mm, Hex Hd.).....	2
3	089027001705	Base Cover w/Label (Inc. Key No. 90).....	1	33	089027001030	Work Table Support .....	1
4	BD46022	Screw (M4.2 x 10 mm, Pan Hd.).....	2	34	BD46095	Miter Gauge Knob.....	1
5	BD46061	Lock Washer (D4, External Tooth).....	3	35	089027001031	Work Table .....	1
6	089027001014	Disc Cover .....	1	36	BD46046	Cotter Pin (2 x 10).....	1
7	BD46102	*Sanding Disc (6 in., 80 Grit).....	1	37	BD46036	Belt Tension Spring.....	1
8	BD46080	Screw (M6 x 16 mm, Hex Soc. Hd.).....	1	38	BD46028	Bushing .....	2
9	089027001015	Lock Washer (D6, External Tooth).....	1	39	BD46035	Belt Tension Support.....	1
10	BD46091	Disc .....	1	40	BD46060	Screw (M5 x 20 mm, Pan Hd.).....	4
11	089027001016	Disc Case.....	1	41	BD46045	Connection Plate .....	1
12	080900062494	Screw (M5 x 8 mm, Pan Hd.).....	5	42	BD46042	Spacer.....	1
13	089027001027	Spring Washer (D5).....	3	43	BD46110	Spring.....	1
14	089027001019	Screw (M4 x 10 mm, Pan Hd.).....	1	44	BD46041	Belt Tension Lever.....	1
15	089027001020	Lock Washer (D5, External Tooth).....	1	45	089027001032	Washer (D5).....	1
16	089027001021	Rivet.....	4	46	089027001047	Screw (M4 x 10 mm).....	3
17	089027001022	Base.....	1	47	BD46108	Screw (M5 x 16 mm, Pan Hd.).....	1
18	089027001052	Lock Washer (M4).....	1	48	BD46033	Belt Tracking Knob.....	1
19	089027001023	Switch Box Cover .....	1	49	BD46097	Washer (D6).....	5
20	089027001024	Screw (M2.9 x 30 mm, Pan Hd.).....	1	50	BD46031	Rubber Washer .....	1
21	BD46016	Start Relay (WE101).....	1	51	BD46030	Compression Spring .....	1
22	089027001706	Switch Box (Inc. Key No. 94).....	1	52	089027001035	Belt Support.....	1
23	BD46081	Screw (M5 x 10 mm, Pan Hd.).....	4	53	BD46054	Work Rest.....	1
24	BD46125	Switch w/Key (Inc. Key 25) .....	1	54	BD46048	Bearing Cap.....	1
25	080900062522	Switch Key.....	1	55	BD46038	Frame Cover .....	1
26	089027001026	Washer (M5).....	1	56	089027001036	Screw (M5 x 10 mm, Pan Hd.).....	1
27	BD46039	Hex Nut (M5, Type I).....	1	57	089027001037	Belt Cover .....	1
28	089027001028	Capacitor (100uf/125v) .....	1	58	BD46077	Screw (M5 x 16 mm, Left Hand Threads, Pan Hd.) .....	2
29	BD46012	Capacitor Support .....	1	59	BD46084	Lock Washer (Special) .....	2
30	BD46077	Screw (M5 x 12 mm, Pan Hd.).....	1				

## RYOBI BELT AND DISC SANDER – MODEL NUMBER BD4601

The model number will be found on a label attached to the motor housing. Always mention the model number in all correspondence regarding your **Belt and Disc Sander** or when ordering repair parts.

### PARTS LIST

KEY NO.	PART NUMBER	DESCRIPTION	QTY.	KEY NO.	PART NUMBER	DESCRIPTION	QTY.
60	BD46075	Drive Belt.....	1	85	089027001703	Miter Gauge Assembly (Inc. Key Nos. 81 and 83).....	1
61	BD46015	Idler Pulley .....	1	86	BD46052	Drive Roller.....	1
62	089027001018	Screw (M5 x 25 mm, Pan Hd.).....	3	87	BD46026	Idler Roller.....	1
63	089027001038	Bearing Base.....	1	88	089027001908	Bevel Scale Label .....	1
64	089027001039	Screw (M6 x 25 mm, Pan Hd.).....	3	89	089027001034	Cord Clamp.....	1
65	089027001040	Screw (M8 x 25 mm, Hex Soc. Hd.).....	1	90	089027001909	Do Not Remove Cover Label .....	1
66	089027001041	Belt Guard.....	1	91	089027001904	Cordwrap Warning Label (French and Spanish) .....	1
67	089027001042	Square Nut (M8).....	1	92	089027001903	Disc Direction and Warning Label.....	1
68	BD46076	Drive Pulley .....	1	93	089027001902	Belt Direction Label.....	1
69	BD46043	Roll Pin (5 x 8) .....	2	94	089027001907	Warning Label (English).....	1
70	BD46044	Tension Plate.....	1	95	089027001910	Position Lock Label .....	1
71	089027001701	Motor Assembly.....	1	96	089027001012	Hex Key (M6).....	1
72	089027001708	Power Cord w/Label (Inc. Key No. 91).....	1	97	089027001033	Screw (M4 x 10 mm, Pan Hd.).....	3
73	089027001043	Dust Collection Port.....	1	98	089027001051	Grounding Tag.....	1
74	BD46034	Roll Pin (5 x 10) .....	1	99	BD46027	Spring Washer (D12) .....	4
75	089027001044	Belt Frame Support.....	1	100	BD46025	Ball Bearing (101Z).....	4
76	BD46024	*Sanding Belt (4 in. x 36 in., 80 Grit) .....	1	101	BD46029	Idler Shaft.....	1
77	BD46107	Switch Holder .....	1	102	089027001011	Drive Shaft .....	1
78	089027001045	Screw (M2.9 x 8 mm, Pan Hd.).....	2	<b>Not Shown:</b>			
79	BD46004	Washer (D8).....	2	988000299	Operator's Manual .....		1
80	089027001046	Screw (M8 x 16 mm, Hex Soc. Hd.).....	2	2-10-12			
81	089027001905	Miter Scale Label .....	1	(REV:01)			
82	089027001048	Cord Clamp Plate.....	1				
83	089027001906	Miter Gage Logo Label .....	1				
84	089027001901	Data Label.....	1				

**WARNING: Any repairs requiring disassembly of your tool requires safety testing and should only be performed by a Ryobi Authorized Service Center. For the service center nearest you call 1-800-525-2579.**

\* Standard Hardware Item – May Be Purchased Locally