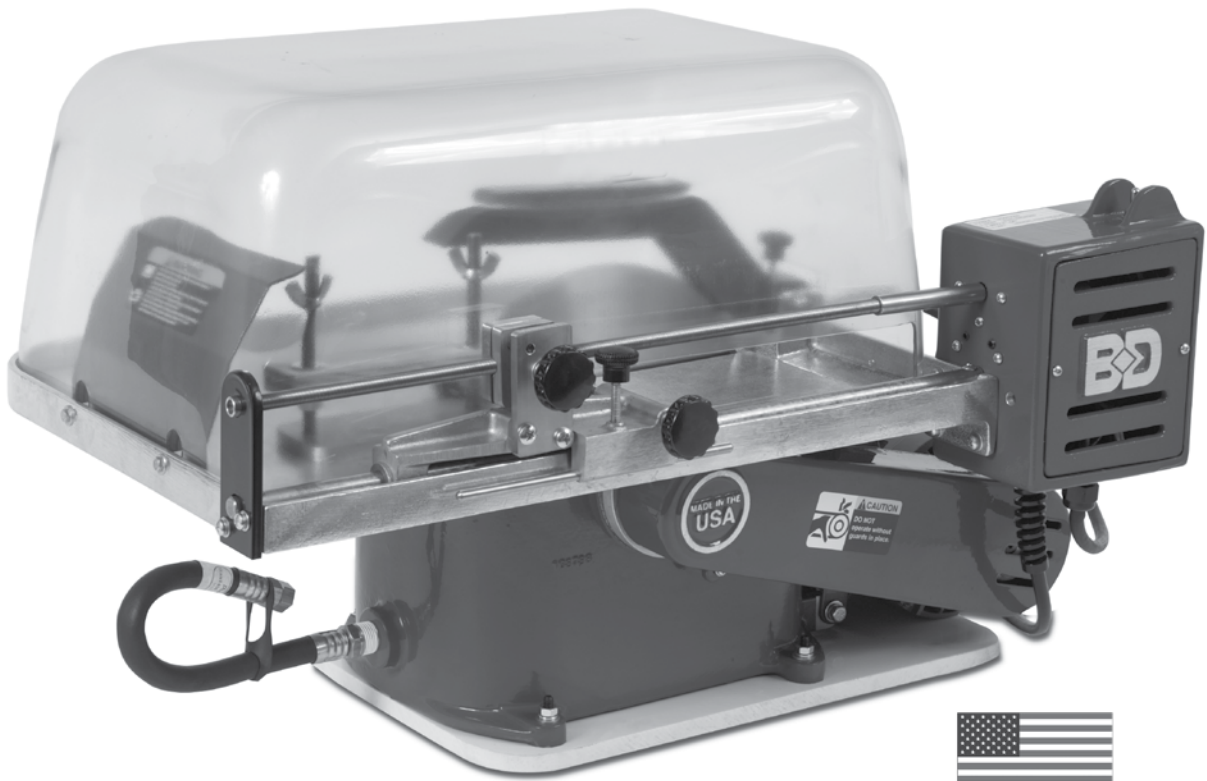




BARRANCA DIAMOND

# BD10 Power Feed Trim Saw

## PARTS LIST

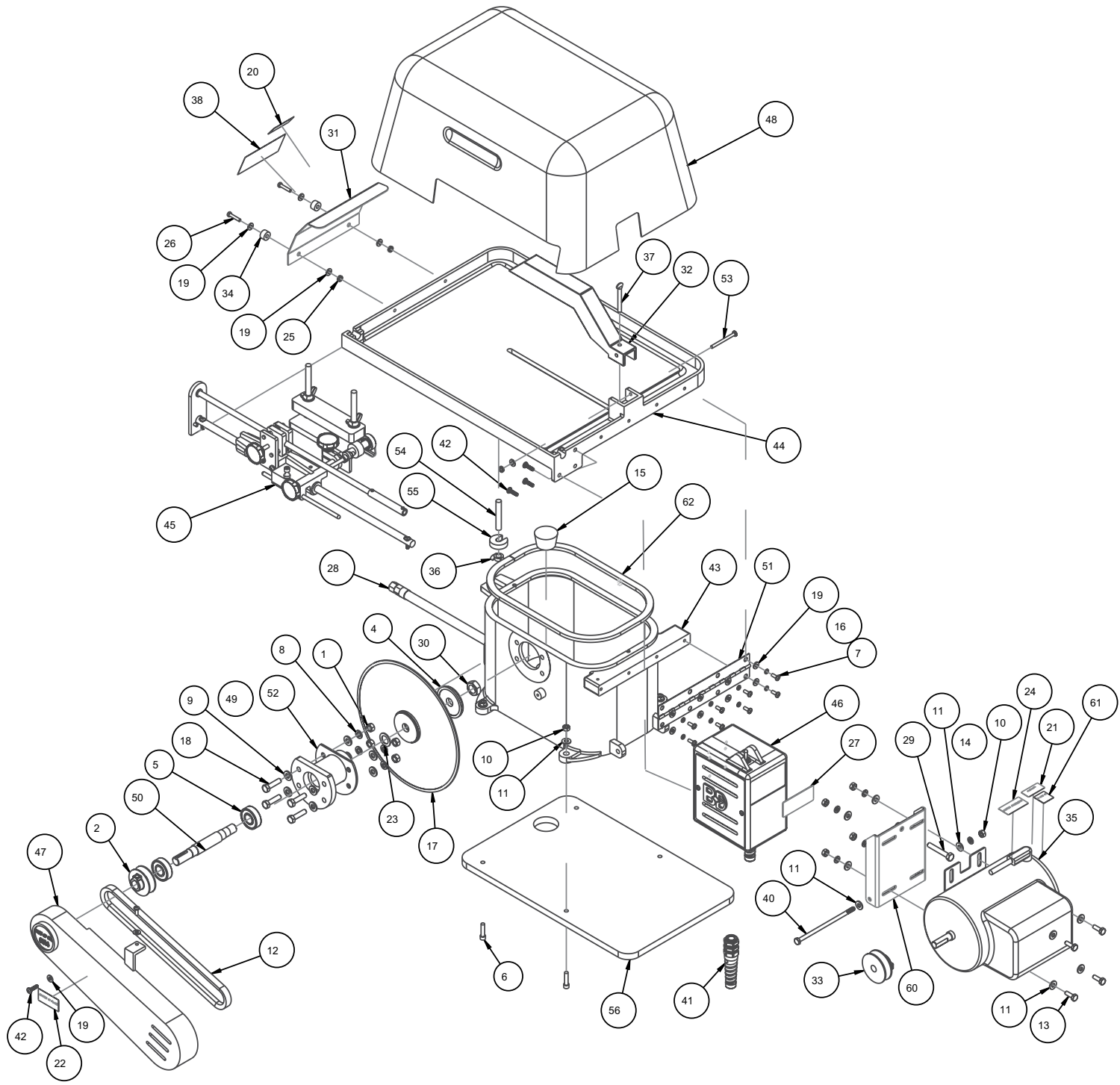


Revision 115	04.2019
Manual Part # 169351	

**Caution:** Read all safety and operating instructions before using this equipment. This manual **MUST** accompany the equipment at all times.

Barranca Diamond Products, Inc.  
1315 Storm Parkway  
Torrance, CA 90501  
Toll-Free: (800) 630-7682  
Phone: (310) 523-5867  
Fax: (310) 257-3063  
[www.barrancadiamond.com](http://www.barrancadiamond.com)

BD-10 P/N 168787



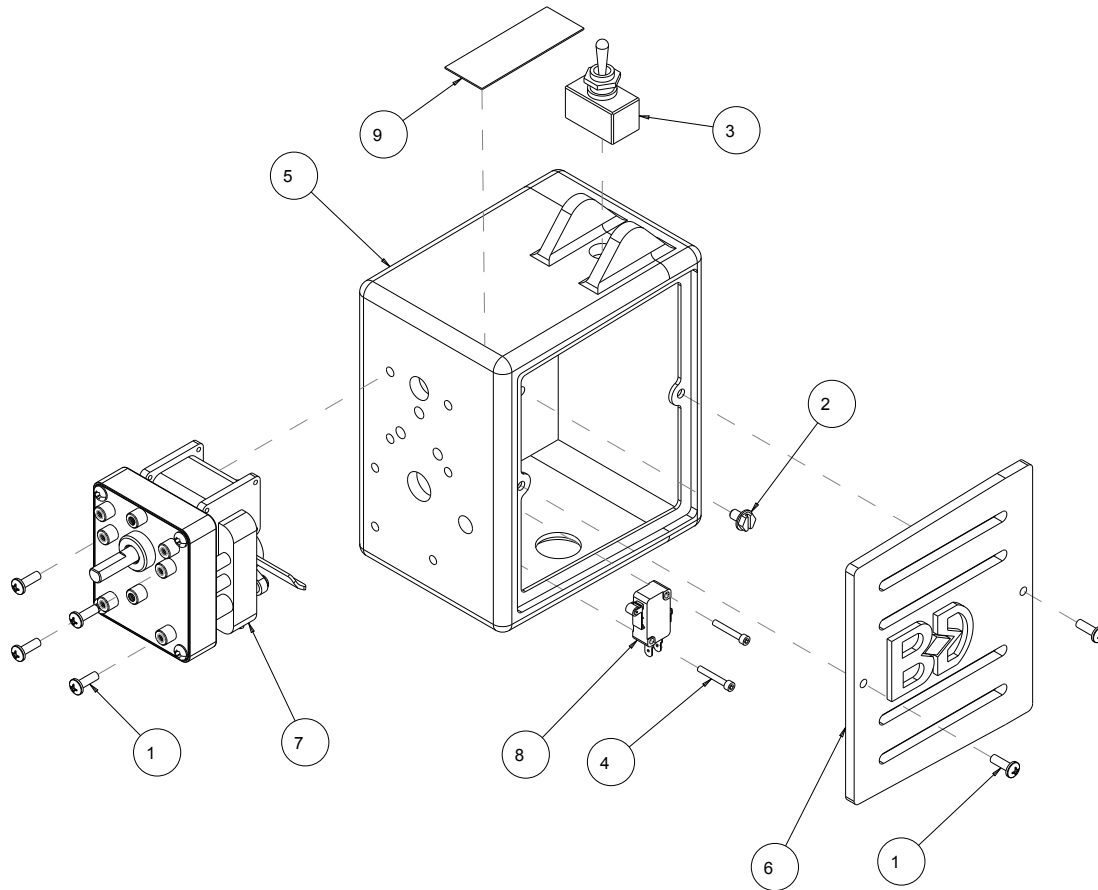
## BD-10 P/N 168787

Item	Part Description	Part#	Quantity
1	Nut, Hex, 5/16 - 18	101196	4
2	Pulley, 2" x 5/8" bore	134676	1
3	Wrench, Tile Saw Nut 15/16	134684	1
4	Flange, Outer, 2 - 3/8	135830	2
5	Bearing, Ball, 17 x 40 x 12mm	137711	2
6	Screw, Soc HD Cap, 1/4 - 20 x 1	151049	4
7	Screw, Pan HD #10 - 32 x 1/2	151052	9
8	Washer, Lock, Split, 5/16	151747	4
9	Washer, Flat, SAE, 5/16	151754	8
10	Nut, Hex, 1/4 - 20	151893	9
11	Washer, 1/4 SAE Flat	151915	14
12	Belt, AX26	152365	1
13	Screw, Hex HD, 1/4 - 20 x 3/4	152370	4
14	Washer, 1/4 Split Lock	152591	5
15	Plug, Rbbr Drain W/O Hole	153439-NL	1
16	Washer, #10 Split Lock	153684	8
17	Blade 10" x 5/8"	153696	1
18	Screw, Hex, HD, 5/16 - 18 x 1 - 1/4	153950	4
19	Washer, #10 SAE Flat	154369	15
20	Label, Warning, Read Manual	154398	1
21	Label, Information on Service	155038	1
22	Label, Caution, Guards in Place	155587	1
23	Bushing, Blade 1-5.8 x .050	155632	1
24	Label, Notice, Motor Problems	155672	1
25	Nut, Hex 10 - 32	156269	3
26	Screw, 10 - 32 x 1 Hex Head Cap	156270	2
27	Tag, Serial Number, Blank	157500-RW	1
28	Assy, Oil Drain, 1/2NPT	157577-06	1
29	Screw, Hex HD, Tap, 5/16-18x2	157938	1
30	Nut, Hex Jam 5/8 - 11UNC LH	158577	1
31	Guard, Splash	161023	1
32	Guard, Blade PF-10	161068	1
33	Pulley, 1A20 x 1/2 Bore	161070	1
34	Spacer, Nylon 3/8 LG. x 1/2 OD	161076	2
35	MTR, .33HP 115/230V 60Hz 1 PH	161672	1
36	Nut, Wing 3/8 - 16	161715	1
37	Screw, Thumb, 1/4 - 20 x 2.0	161904	1
38	Label, Warning, Silica, Prop 65	164202	1
39	Wrench, 3/16 Hex L-Key	165118	1

## BD-10 P/N 168787

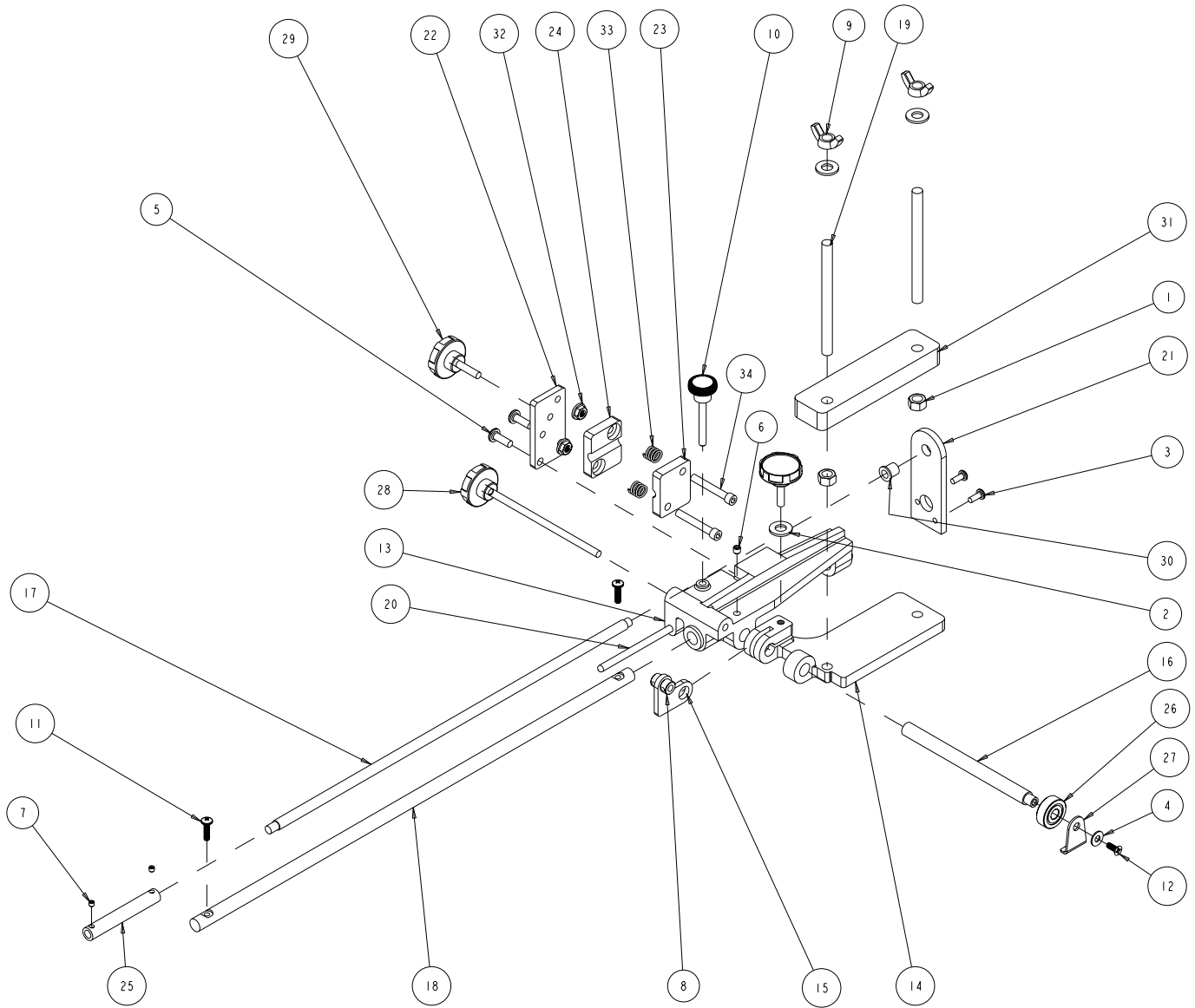
Item	Part Description	Part#	Quantity
40	Hex Cap Screw 1/4 - 20 x 5 - 1/2"	166262	1
41	Cord, Power, 14/3 115V	167180	1
42	Screw, Pan Head Self Sealing 10-32 x 3/4	167781	4
43	Tank, Comp	168789	1
44	Table, Comp	168791	1
45	Assembly, Vise	168792	1
46	Assy, Gear Motor, BD-10	168795	1
47	Guard, Belt, Comp	168804	1
48	Hood, Plastic, BD-10	168817	1
49	Arbor Housing Casting Comp	168825	1
50	Shaft, Arbor	168826	1
51	Hinge, Comp	168835	1
52	Gasket, Arbor	168892	1
53	Screw, Pan HD 10 - 32 x 2.0"	168893	1
54	Table, Rod	168909	1
55	Washer, Slotted 3/8"	168911	1
56	Base, Comp	168949	1
57	Owner's Manual, BD-10	169351	1
58	Grease, Super Lube, 3oz Tube	169709	1
59	Assy, Carton, BD-10	169718	1
60	Weldment, Motor Mount	169726	1
61	Label, QR Code BD Manuals	171239	1
62	Strip, Neoprene Foam, 1/2 x 1/4, 48"	172553	1

BD-10 Assy. Gear Motor P/N 168795



Item	Part Description	Part#	Quantity
1	Screw, rnd hd, #8-32x1/2	152517	6
2	Screw, Hex HD FL 10-24x 5/16	159597	1
3	Switch, Feed Toggle, 15A, DPDT	161052	1
4	Screw, 4-40 x 3/4 socket head cap	164206	2
5	Housing Casting Comp	168797	1
6	Cover, Housing Comp	168802	1
7	Gear Motor 5 RPM	168832	1
8	Switch, Micro Snap Action	168833	1
9	Label, ON/OFF	169352	1

BD-10 Assy. Vise P/N 168792



**BD-10 Assy. Vise P/N 168792**

Item	Part Description	Part#	Quantity
1	Nut, Hex, 3/8 - 16	101188	2
2	Washer, Flat, SAE, 3/8	150923	3
3	Screw, 10 -32 x 1/2 Pan Head Phillips Machine	151052	2
4	Washer, #10 SAE Flat	154369	1
5	Screw, Pan HD, 1/4 - 20 x 1/4	157523	1
6	Screw, Soc HD Set 1/4 - 20 x 1/4	157528	1
7	Screw, Set Cup, #10 - 32 x 3/16" S.S.	161038	2
8	Collar, Shaft 1/4 x 1/2	161066	2
9	Nut, Wing 3/8 - 16	161715	2
10	Knob, 1/4 - 20 x 2 Round	165163	1
11	Screw, Pan Head Self Sealing 10 -32 x 3/4	167781	2
12	Screw, Flat HD Phillips, #10 - 32 x 1/2, 18 - 8 S.S.	168284	1
13	Carriage Complete	168794	1
14	Vise, Complete	168800	1
15	Vise Drive Mount	168806	1
16	Rod, Swing Vise	168807	1
17	Threaded Drive Rod	168809	1
18	Guide Rod	168810	1
19	Rock Adjustment Rod	168811	2
20	On/Off Rod	168812	1
21	Mount, Drive & Guide Rod	168813	1
22	Bracket, Clutch Mount	168814	1
23	Clutch Plate, Front	168815	1
24	Clutch Plate, Rear	168816	1
25	Coupler	168820	1
26	Bearing, Ball 3/8" x 1 - 1/8"	168822	1
27	Bearing Guide	168823	1
28	Knob, Vise	168869	1
29	Knob Assembly, Vise	168871	2
30	Bushing, Bronze Flanged 5/16 x 9/16 x 1/2	168873	1
31	Wood Clamp	168875	1
32	Nut, Flanged 1/4 - 20	168879	2
33	Spring, Complete	168891	2
34	Screw, Soc HD cap, 1/4 - 20 x 1 - 3/4	169707	2