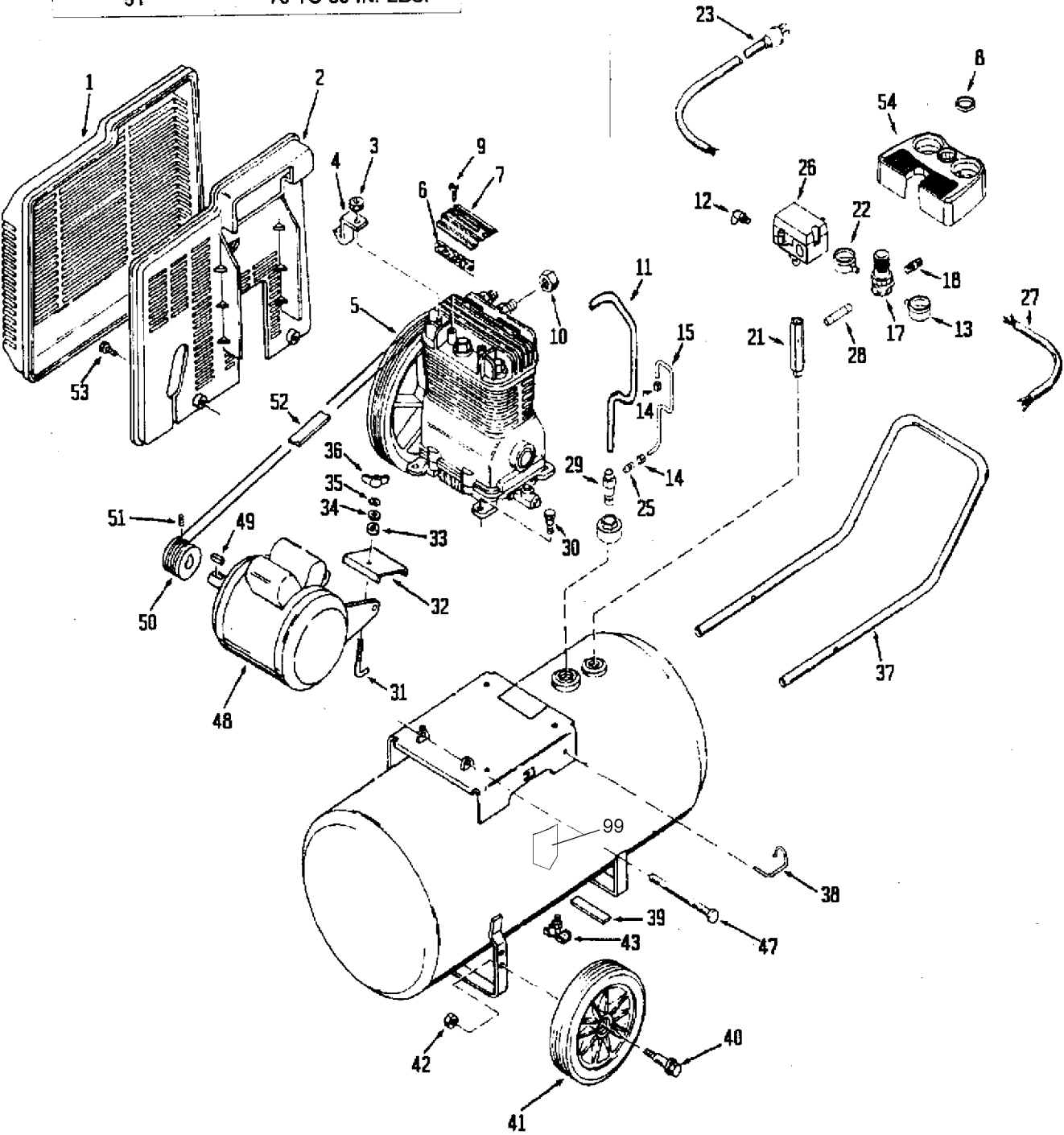
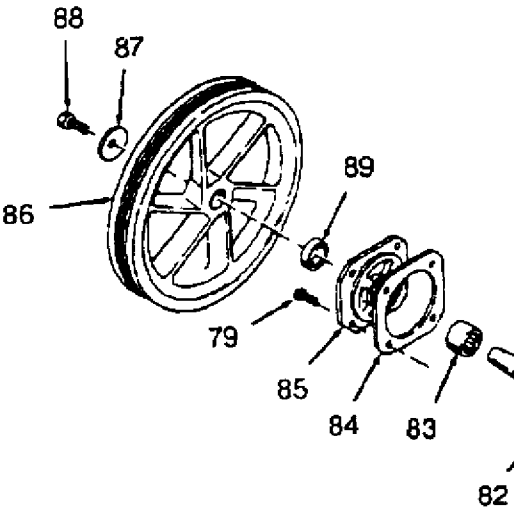
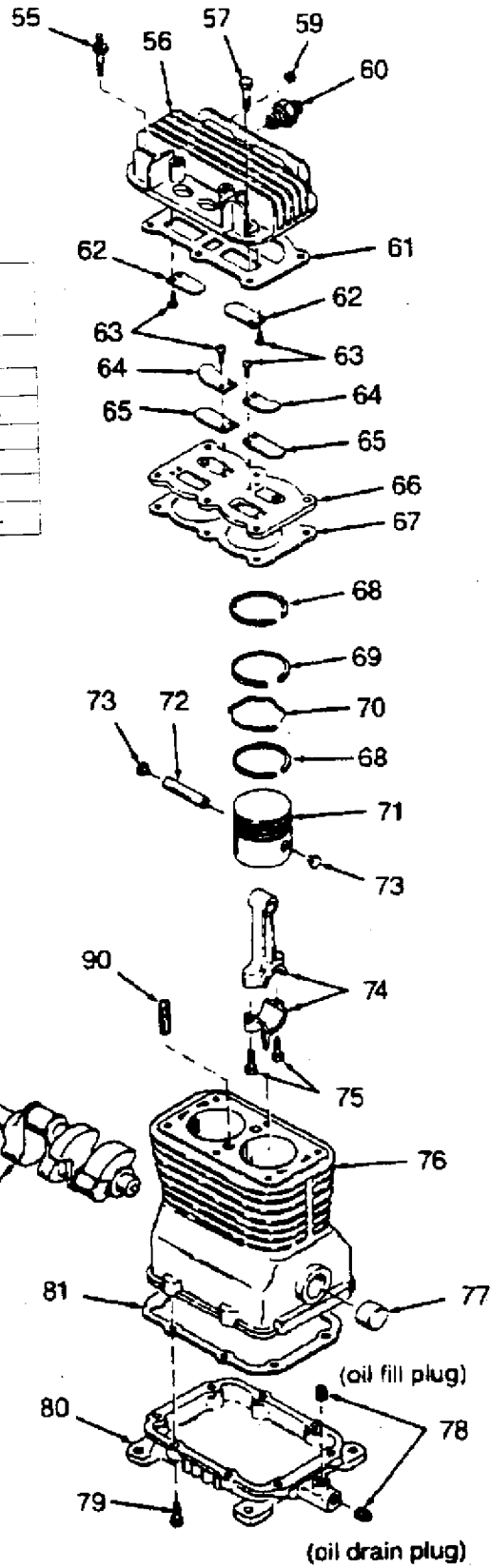


KEY NO.	TORQUE
30	10 TO 12 FT. LBS.
51	70 TO 80 IN. LBS.



KEY NO.	TORQUE
55	25 TO 30 FT. LBS.
57	25 TO 30 FT. LBS.
59	25 TO 30 FT. LBS.
63	13 TO 17 IN. LBS.
75	7 TO 10 FT. LBS.
79	9 TO 12 FT. LBS.
88	15 TO 20 FT. LBS.



## Parts List for BA CL4520 Type 0

Item Number	Part Number	Description	Qty Required
1	CAC-322	BELTGUARD OUTSIDE	1
2	CAC-323	BELTGUARD INSIDE	1
3	SSF-8113-ZN	NUT .375-16X.563 HEX	1
4	000000-00	No Longer Available	1
5	N076030SV	PUMP ASSEMBLY	1
6	265-17	FILTER FELT	1
7	265-18	RETAINER FILTER	1
8	CAC-61	RING PANEL MOUNTING	1
9	5140123-08	SCREW	2
10	SSP-7812	ASSY NUT SLEEVE 1/2	2
11	AC-0041	TUBE OUTLET .500OD A	1
12	97503734	VALVE SAFETY 150 .12	1
13	Z-AC-0010-1	GAUGE LEFT HAND	1
14	SSP-7811	ASSY NUT SLEEVE 1/4	2
15	AC-0028	TUBE PRES REL .250OD	1
17	000000-00	No Longer Available	1
18	D26889	ADAPTER .25 NPT X .2	1
21	AC-0027-2	STANDPIPE BRASS MALE	1
22	AC-0009-1	GAUGE RIGHT HAND	1
23	SUDL-413-2	ASSY CORD POWER ST	1
25	SS-8553	CONNECTOR BODY	1
26	5140112-18	PRESSURE SWITCH	1
27	CAC-4215-1	ASSY CORD MOTOR SJT	1
28	SSP-480	NIPPLE 1/4-18 NPT X	1
29	A19715	VALVE CHECK 1/2NPT X	1
30	SSF-928	SCREW .313-18X.875 H	4
31	CAC-1013	SCREW HOLD DOWN	1

## Parts List for BA CL4520 Type 0

Item Number	Part Number	Description	Qty Required
32	000000-00	No Longer Available	1
33	CAC-1011	SPRING ELASTOMER	1
34	SSN-56-ZN	WASHER 1 X 11/32 X 1	1
35	N017772	LOCK WASHER	1
36	SS-2038-ZN	NUT .313-18 WING	1
37	000000-00	No Longer Available	1
38	CAC-1059	CLIP RETAINING	1
39	SUDL-6-1	STRIP RUBBER FOOT	1
40	CAC-60	BOLT .375-16X2.25 UN	2
41	D23138	WHEEL 9 BLACK SEMI-P	1
42	SSF-8080-ZN	NUT .375-16 UNC-2B H	2
43	N286039	DRAIN VALVE	1
47	D21594	PIN MOTOR MOUNT OIL	1
48	000000-00	No Longer Available	1
49	SUDL-65	KEY MOTOR SHAFT	1
50	000000-00	No Longer Available	1
51	SS-391	SCREW .250-20 .625 S	1
52	C-BT-222	BELT 6J 38.0 EFF	1
53	D26742	SCREW #10-16 X .500	2
54	000000-00	No Longer Available	1
55	SSF-6627	STUD SHOULDER 3/8-16	1
56	Z-CAC-4213	ASSY HEAD	1
57	SSF-955	SCREW .375-16X1.50 H	5
59	SS-1215	PLUG PIPE GALV 1/8	1
60	SSP-9401	CONNECTOR BODY STRAI	1
61	000000-00	No Longer Available	1
62	KK-4275	KIT VALVE	1

## Parts List for BA CL4520 Type 0

Item Number	Part Number	Description	Qty Required
63	KK-4275	KIT VALVE	1
64	CAC-294	PLATE RESTRICTOR	1
65	KK-4275	KIT VALVE	1
66	Z-DAC-4129-1	ASSY VALVE PLATE	1
67	000000-00	No Longer Available	1
68	000000-00	No Longer Available	1
69	000000-00	No Longer Available	1
70	000000-00	No Longer Available	1
71	CAC-55-1	PISTON MACHINE DWG 2	2
72	265-19	PIN PISTON	2
73	CAC-207	PLUG PISTON PIN	4
74	265-410	ASSY CONNECTING ROD	2
75	SSF-927	SCREW .250-20X1.125	4
76	Z-D22619	ASSY CRANKCASE/CRANK	1
77	000000-00	No Longer Available	1
78	SSP-486	PLUG PIPE 3/8 - 18 N	2
79	SSF-925	SCREW .250-20X.875 H	12
80	000000-00	No Longer Available	1
81	000000-00	No Longer Available	1
82	Z-AC-0210-1	CRANKSHAFT MACHINED	1
83	000000-00	No Longer Available	1
84	000000-00	No Longer Available	1
85	000000-00	No Longer Available	1
86	265-2	FLYWHEEL 10 OD CI PO	1
87	SSN-1014-ZN	WASHER .339/.344 ID	1
88	SSF-3039-ZN	SCREW .313-18X.750 H	1
89	000000-00	No Longer Available	1

## Parts List for BA CL4520 Type 0

Item Number	Part Number	Description	Qty Required
90	000000-00	No Longer Available	1
99	000000-00	No Longer Available	1
856	KK-4315	KIT VALVE REPLACEMENT	1