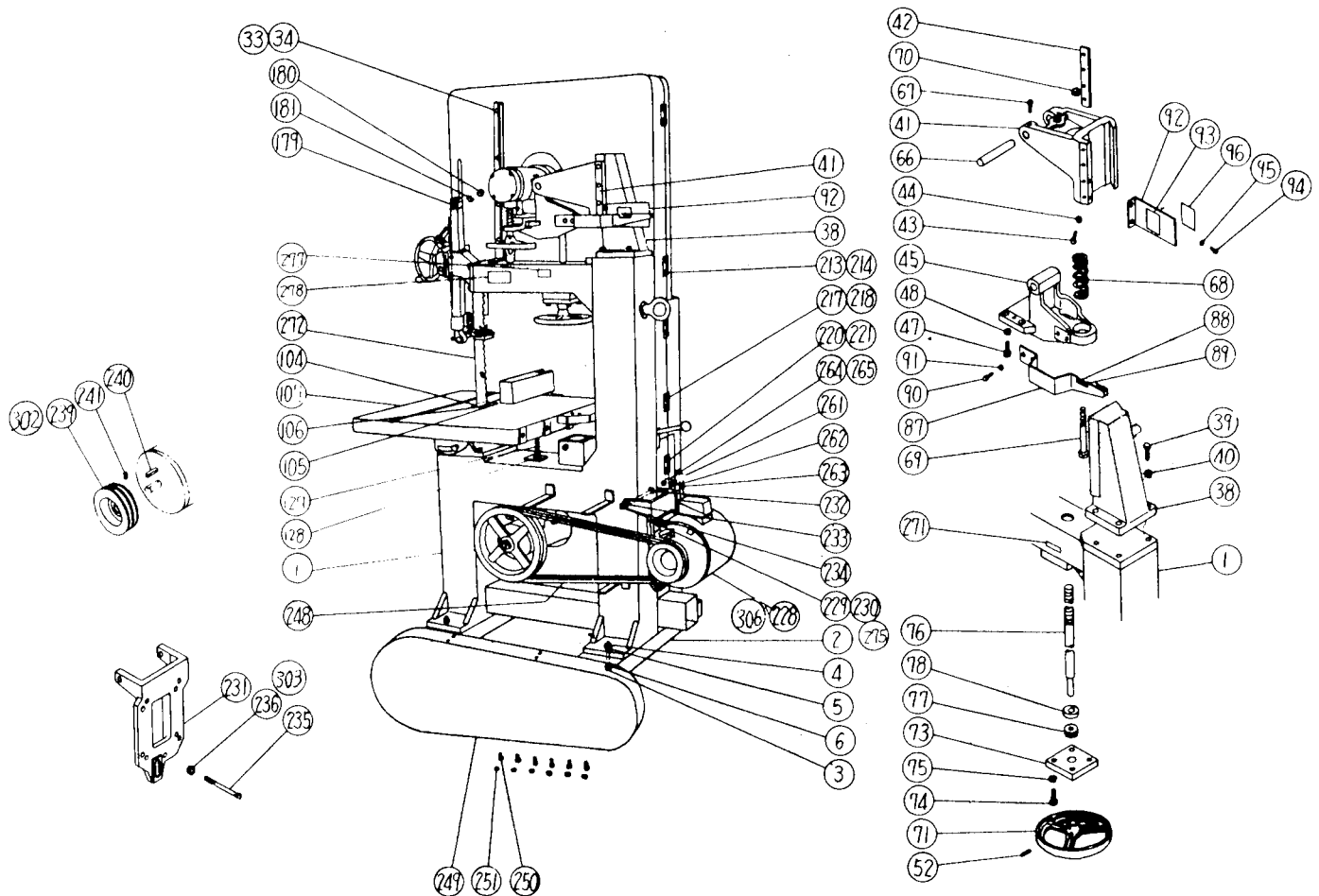


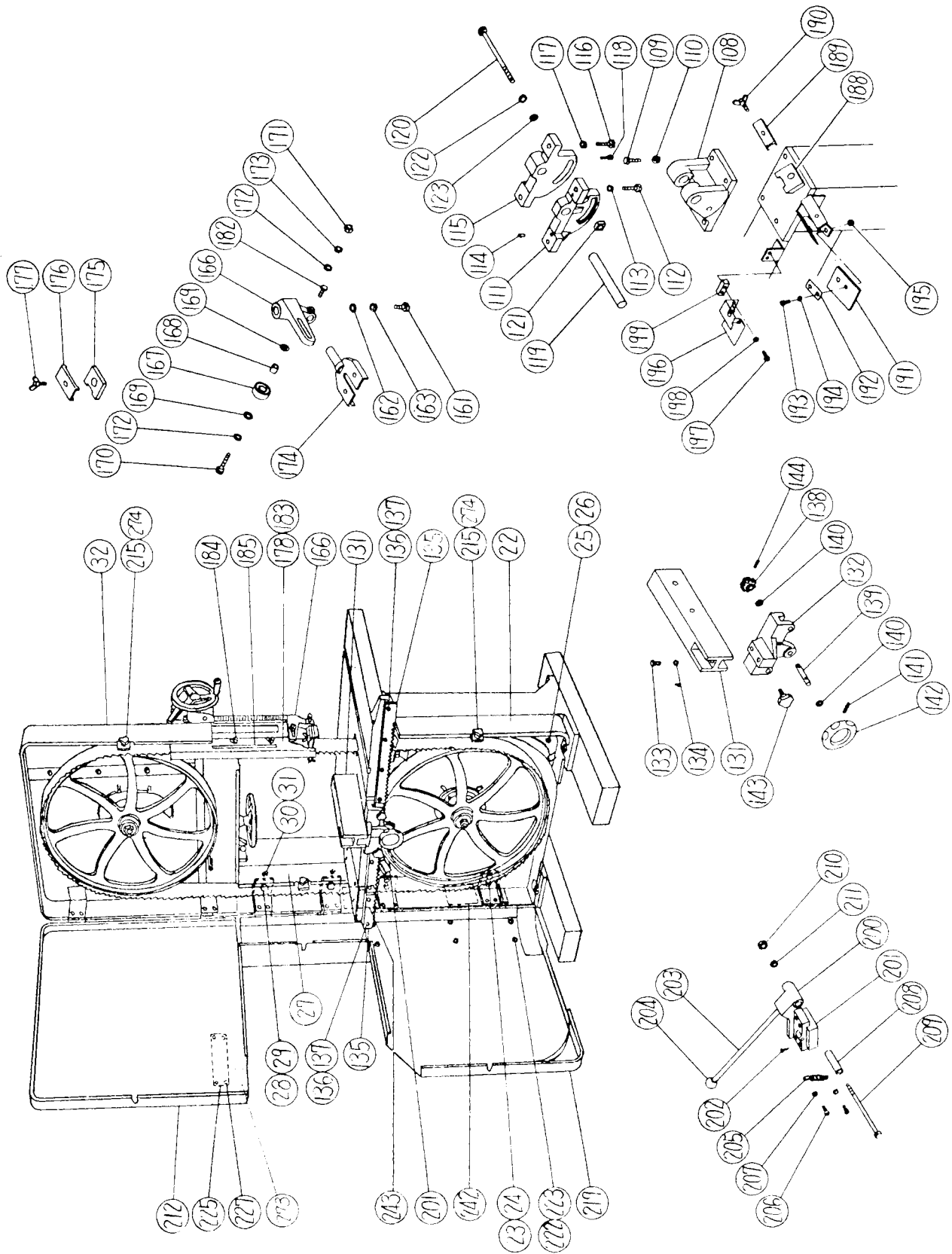


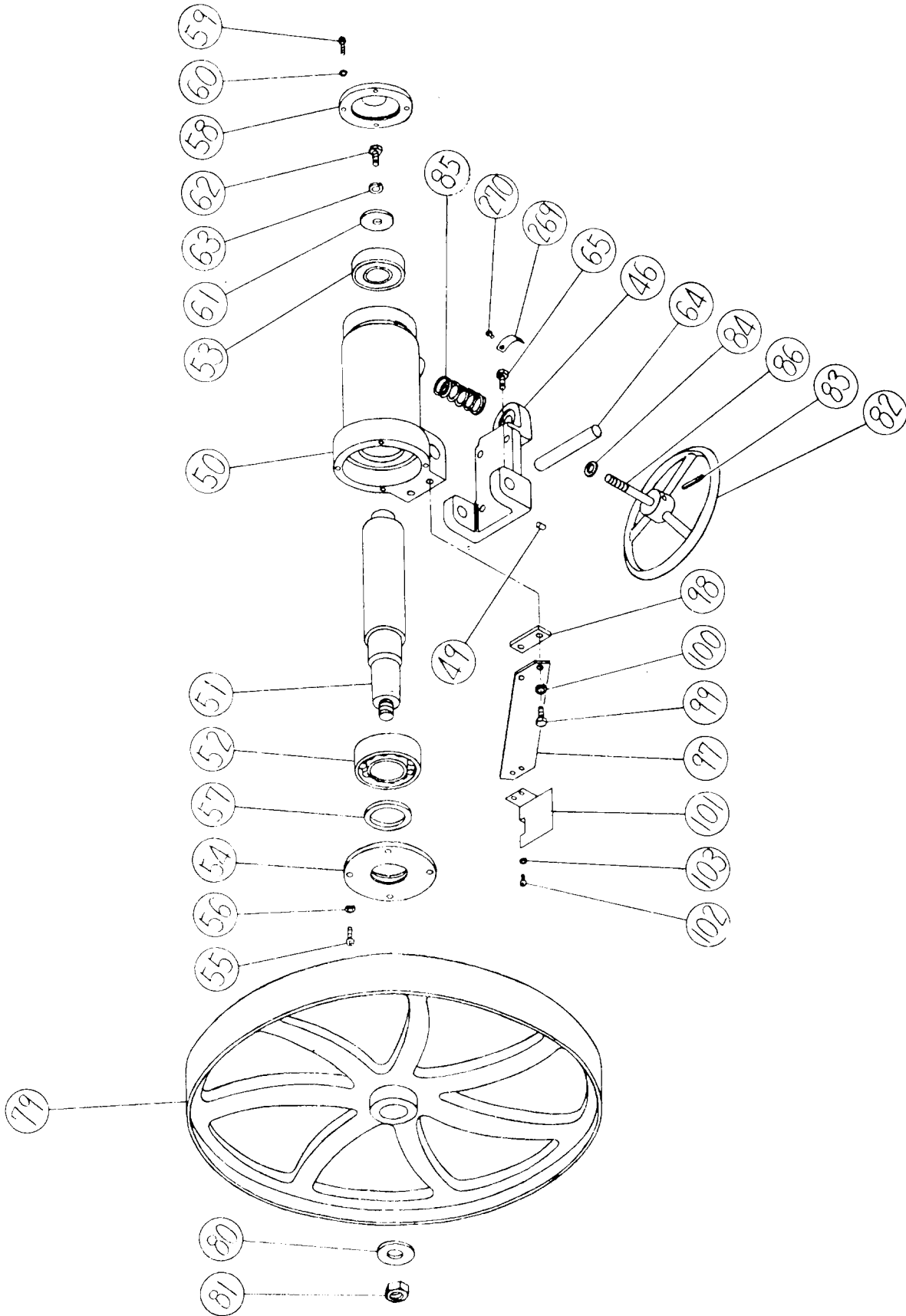
# ELECTRIC TOOL PARTS LIST

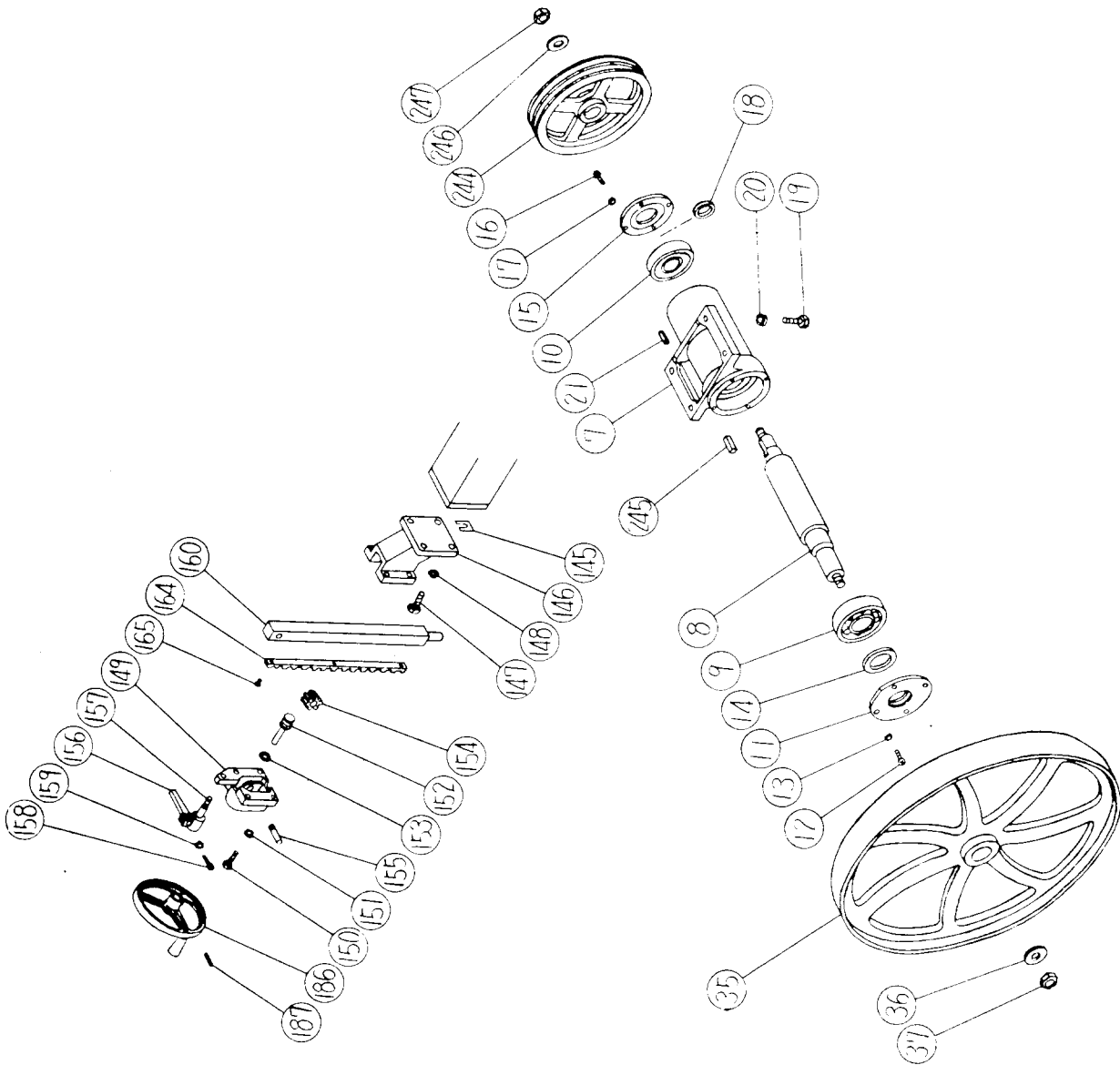
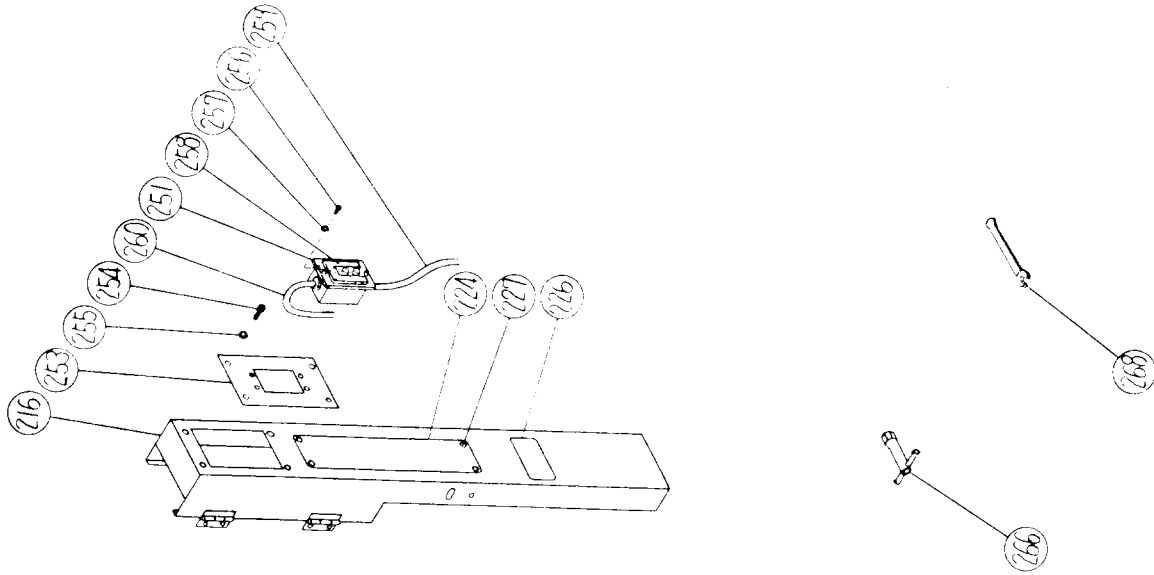
■ **BAND SAW**  
**Model B-750A**

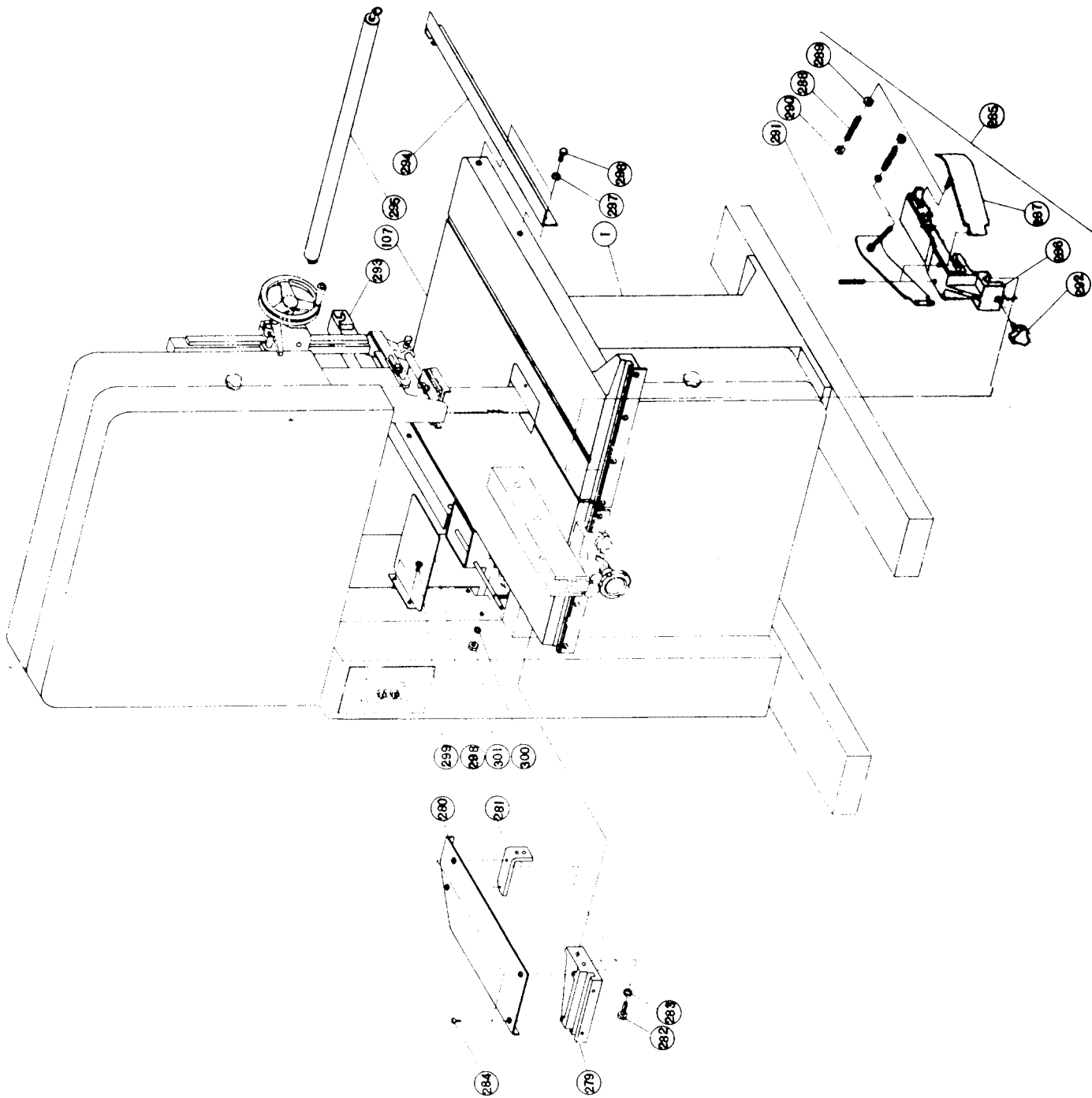
1981·1·10  
**B-750A(A1)**











## PARTS

Prices are subject to change without notice

B-750(A1)

Item No.	Code No.	Parts Name	Q'ty	Remarks	LIST PRICE US\$
1	965820	Frame	1		321.20
2	965701	Wooden Stand	2		13.80
3	965702	Bolt M12 x 85	4		0.30
4	949561Z	Nut M12	4	(1 set = 10 pcs.)	0.40
5	949463Z	Spring Lock Washer	4	for M12 ( " )	0.40
6	965703	Square Washer	4	for M12	0.30
7	965704	Casing (A)	1		40.20
8	965837	Saw Sahft (A)	1		21.90
9	965706	Ball Bearing (6310ZZCM)	1		21.90
10	939439	Ball Bearing (6308ZZ)	1		8.10
11	965707	Bearing Cover	1		8.10
12	949258Z	⊕ Hd. Machine Screw M6 x 20	4	( " )	0.40
13	949455Z	Spring Lock Washer	4	for M6 ( " )	0.40
14	965708	Felt Packing	1		1.20
15	965709	End Cover (A)	1		3.80
16	949258Z	⊕ Hd. Machine Screw M6 x 20	4	( " )	0.40
17	949455Z	Spring Lock Washer	4	for M6 ( " )	0.40
18	965710	Distant Sleeve	1		1.10
19	967007	Bolt M12 x 40	4		0.30
20	949463Z	Spring Lock Washer	4	for M12 ( " )	0.40
21	949533Z	Spring Pin 10 x 32	2	( " )	0.40
22	965846	Lower Cover Ass'y	1		54.00
23	949624Z	Bolt M8 x 20	4	( " )	0.40
24	949457Z	Spring Lock Washer	4	for M8 ( " )	0.40
25	949253Z	⊕ Hd. Machine Screw M6 x 8	3	( " )	0.40
26	949455Z	Spring Lock Washer	3	for M6 ( " )	0.40
27	965847	Console Box Ass'y	1		20.70
28	949624Z	Bolt M8 x 20	2	( " )	0.40
29	949457Z	Spring Lock Washer	2	for M8 ( " )	0.40
30	949253Z	⊕ Hd. Machine Screw M6 x 8	2	( " )	0.40
31	949455Z	Spring Lock Washer	2	for M6 ( " )	0.40
32	965848	Upper Cover Ass'y	1		0.60
33	949624Z	Bolt M8 x 20	8	( " )	0.40
34	949457Z	Spring Lock Washer	8	for M8 ( " )	0.40
35	965714	Saw Wheel	1		137.70
36	965715	Washer (B)	1		0.40
37	948510	Left Nut M20	1		0.90
38	965716	Slide Frame	1		34.50
39	967007	Bolt M12 x 40	4		0.30
40	949463Z	Spring Lock Washer	4	( " )	0.40
41	965717	Slider	1		54.00
42	965718	Liner	1		2.10
43	949628Z	Bolt M8 x 30	4	( " )	0.40
44	949558Z	Nut M8	4	( " )	0.40
45	965719	Link	1		35.60
46	965720	Casing Holder	1		13.80
47	949695Z	Bolt M10 x 35	4	( " )	0.40
48	949458Z	Spring Lock Washer	4	for M10 ( " )	0.40
49	949529Z	Pin 6 x 10	2	( " )	0.40
50	965721	Casing (B)	1		37.90
51	965722	Saw Shaft (B)	1		20.70
52	965706	Ball Bearing (6310ZZCM)	1		21.90
53	939440	Ball Bearing (6307ZZ)	1		5.80

Item No.	Code No.	Parts Name	Q'ty	Remarks		LIST PRICE US\$
54	965707	Bearing Cover	1			8.10
55	949258Z	⊕Hd. Machine Screw M6 x 20	4	(1 set = 10 pcs.)		0.40
56	949455Z	Spring Lock Washer	4	for M6 ( " )		0.40
57	965708	Felt Packing	1			1.20
58	965723	End Cover (B)	1			3.80
59	949258Z	⊕Hd. Machine Screw M6 x 20	4	( " )		0.40
60	949455Z	Spring Lock Washer	4	for M6 ( " )		0.40
61	965724	Washer (A)	1			0.40
62	949638Z	Bolt M10 x 20	1	( " )		0.40
63	949458Z	Spring Lock Washer	1	for M10 ( " )		0.40
64	965725	Pin (A)	1			2.10
65	949624Z	Bolt M8 x 20	1	( " )		0.40
66	965726	Pin (B)	1			2.10
67	949624Z	Bolt M8 x 20	1	( " )		0.40
68	965727	Tension Spring	1			3.40
69	965728	Tension Bolt	1			3.70
70	949574Z	Lock Nut M12	1	( " )		0.40
71	965731	Handle (B)	1			9.80
72	949746Z	Spring Pin 5 x 32	1	( " )		0.40
73	965729	Screw Holder	1			4.10
74	949695Z	Bolt M10 x 35	4	( " )		0.40
75	949458Z	Spring Lock Washer	4	for M10 ( " )		0.40
76	965839	Feed Screw	1			5.40
77	947518	Ball Bearing (51102)	1			2.50
78	947519	Bearing Seal	1			0.30
79	965714	Saw Wheel	1			137.70
80	965715	Washer (B)	1			0.40
81	948510	Left Nut M20	1			0.90
82	965731	Handle (B)	1			8.70
83	949550Z	Spring Pin 5 x 40	1	( " )		0.40
84	949437Z	Washer	1	for M12 ( " )		0.40
85	965732	Spring (A)	1			1.70
86	965733	Knob Shaft	1			1.40
87	965734	Scale Arm	1			2.60
88	965735	Indicator	2			0.40
89	949510Z	Rivet 2.5 x 4.8	4	( " )		0.40
90	949622Z	Bolt M8 x 16	2	( " )		0.40
91	949457Z	Spring Lock Washer	2	for M8 ( " )		0.40
92	965736	Scale Plate	1			0.60
93	965737	Scale (A)	1			0.90
94	949255Z	+ Hd. Machine Screw M6 x 12	2	( " )		0.40
95	949455Z	Spring Lock Washer	2	for M6 ( " )		0.40
96	965738	Scale (B)	1			0.90
97	965739	Duster Arm	1			1.90
98	965740	Spacer (D)	1			0.50
99	949626Z	Bolt M8 x 25	2	( " )		0.40
100	949457Z	Spring Lock Washer	2	for M8 ( " )		0.40
101	965741	Duster Ass'y	1			4.20
102	949243Z	⊕Hd. Machine Screw M6 x 8	2	( " )		0.40
103	949453Z	Spring Lock Washer	2	for M6 ( " )		0.40
104	965742	Blade Hole Plate (A)	1			1.90
105	965743	Blade Hole Plate (B)	1			1.90
106	949353Z	⊕Hd. Machine Screw M5 x 25	2	( " )		0.40

Item No.	Code No.	Parts Name	Q'ty	Remarks	LIST PRICE US\$
107	965821	Table	1		470.40
108	965745	Hinge (A)	1		24.10
109	967007	Bolt M12 x 40	4		0.40
110	949463Z	Spring Lock Washer	4	for M12 (1 set = 10 pcs.)	0.40
111	965746	Hinge (B)	1		12.70
112	967007	Bolt M12 x 40	2		0.30
113	949463Z	Spring Lock Washer	2	for M12 ( " )	0.40
114	965821	Pin 6 x 10	2	( " )	0.40
115	965747	Hinge (C)	1		13.80
116	967007	Bolt M12 x 40	2		0.30
117	949463Z	Spring Lock Washer	2	for M12 ( " )	0.40
118	949755Z	Hexagon Socket Hd. Bolt M6 x 16	1	( " )	0.40
119	965748	Hinge Shaft	1		2.80
120	965749	Bolt M12 x 170	1		1.00
121	965750	Square Nut M12	1		1.30
122	949463Z	Spring Lock Washer	1	for M12 ( " )	0.40
123	949437Z	Washer	1	for M12 ( " )	0.40
124					
125					
126					
127	965752	Bolt M10 x 120	1		0.50
128	949560Z	Nut M10	1	( " )	0.40
129					
130					
131	965755	Guide	1		18.40
132	965756	Guide Holder	1		13.80
133	949626Z	Bolt M8 x 25	2	( " )	0.40
134	949457Z	Spring Lock Washer	2	( " )	0.40
135	965757	Rack (B)	1		4.50
136	949255Z	⊕Hd. Machine Screw M6 x 12	10	( " )	0.40
137	949455Z	Spring Lock Washer	10	for M6 ( " )	0.40
138	948832	Pinion	1		2.10
139	948833	Pinion Shaft	1		0.60
140	949445Z	Washer	2	for M10 ( " )	0.40
141	949604Z	Spring Pin 5 x 28	1	( " )	0.40
142	948516	Knob	1		1.30
143	948584	Knob Bolt (B)	2		0.60
144	949753Z	Spring Pin 5 x 20	1	( " )	0.40
145	965753	Spacer (B)	4		0.20
146	965758	Arm	1		16.10
147	949639Z	Bolt M10 x 25	4	( " )	0.40
148	949458Z	Spring Lock Washer	4	for M10 ( " )	0.40
149	965759	Gear Cover	1		9.80
150	949628Z	Bolt M8 x 30	4	( " )	0.40
151	949457Z	Spring Lock Washer	4	for M8 ( " )	0.40
152	932313	Worm	1		1.90
153	932314	Washer	1		0.20
154	932316	Gear	1		1.70
155	932315	Gear Shaft	1		0.40
156	965760	Lock Lever	1		2.10
157	965761	Lock Screw	1		0.60
158	949652Z	Hexagon Socket Hd. Bolt M6 x 25	1	( " )	0.40
159	949455Z	Spring Lock Washer	1	for M6 ( " )	0.40



Item No.	Code No.	Parts Name	Q'ty	Remarks	LIST PRICE US\$
160	965762	Positioner Shaft Ass'y	1		7.50
161	948469	Bolt M10 x 60	1	(1 set = 10 pcs.)	0.40
162	949434Z	Washer	1	for M10 ( " )	0.40
163	949458Z	Spring Lock Washer	1	for M10 ( " )	0.40
164	965763	Rack (A)	1		3.40
165	949334Z	⊕Flat Hd. Screw M5 x 16	3	( " )	0.40
166	965764	Positioner Head	1		6.10
167	939454	Ball Bearing (6303ZZCM)	1		2.50
168	965765	Bearing Sleeve	1		0.40
169	948541	Washer (D)	2		0.20
170	949633Z	Bolt M8 x 50	1		0.40
171	949558Z	Nut M8	1	( " )	0.40
172	949426Z	Washer	2	for M8 ( " )	0.40
173	949457Z	Spring Lock Washer	1	for M8 ( " )	0.40
174	948814	Positioner Base Ass'y	1		4.80
175	965815	Saw Positioner (A)	2		1.10
176	965767	Positioner Holder	2		0.60
177	949411Z	Wing Bolt M6 x 25	2	( " )	0.40
178	965768	Safety Cover	1		7.50
179	949632Z	Bolt M8 x 45	1	( " )	0.40
180	949558Z	Nut M8	1	( " )	0.40
181	949457Z	Spring Lock Washer	1	for M8 ( " )	0.40
182	949624Z	Bolt M8 x 20	1	( " )	0.40
183	965769	Safety Cover (B)	1		5.30
184	949396Z	Wing Bolt M5 x 8	2	( " )	0.40
185	965770	Scale (C)	1		0.90
186	965771	Handle Ass'y	1		21.90
187	949746Z	Spring Pin 5 x 32	1	( " )	0.40
188	965816	Saw Positioner (B)	2		1.20
189	965767	Positioner Holder	2		0.60
190	949411Z	Wing Bolt M6 x 25	2	( " )	0.40
191	965773	Saw Dust Thrower	1		0.60
192	949431	Bolt Washer	1	for M5	0.40
193	949237Z	⊕Hd. Machine Screw M5 x 12	2	( " )	0.40
194	949454Z	Spring Lock Washer	2	for M12 ( " )	0.40
195	949555Z	Nut M5	2	( " )	0.40
196	965741	Duster Ass'y	1		4.20
197	949262Z	⊕Hd. Machine Screw M6 x 30	2	( " )	0.40
198	949455Z	Spring Lock Washer	2	for M6 ( " )	0.40
199	965774	Spacer (C)	1		0.40
200	965775	Brake Holder	1		0.60
201	965776	Stopper	1		1.10
202	965777	- Hd. Wood Screw M4.1 x 20	4		0.20
203	965778	Brake Shaft	1		2.10
204	932344	Grip	1		0.40
205	965779	Brake Spring	1		1.10
206	949254Z	⊕Hd. Machine Screw M6 x 10	1		0.40
207	949455Z	Spring Lock Washer	1	for M6 ( " )	0.40
208	965780	Sleeve	1		0.40
209	965781	Bolt M12 x 180	1		1.00
210	949561Z	Nut M12	1		0.40
211	949463Z	Spring Lock Washer	1	( " )	0.40
212			1		

Item No.	Code No.	Parts Name	Q'ty	Remarks	LIST PRICE US\$
213	949657Z	Hexagon Socket Hd. Bolt M6 x 12	4	(1 set = 10 pcs.)	0.40
214	949455Z	Spring Lock Washer	4	( " )	0.40
215	948539	Knob Bolt (B)	3		0.60
216					
217	949657Z	Hexagon Socket Hd. Bolt M6 x 12	4	( " )	0.40
218	949455Z	Spring Lock Washer	4	for M6 ( " )	0.40
219					
220	949657Z	Hexagon Socket Hd. Bolt M6 x 12	4	( " )	0.40
221	949455Z	Spring Lock Washer	4	for M6 ( " )	0.40
222	949255Z	⊕Hd. Machine Screw M6 x 12	6	( " )	0.40
223	949455Z	Spring Lock Washer	6	for M6 ( " )	0.40
224	965785	Decoration Name Plate (A)	1		8.10
225	965822	Decoration Name Plate (B)	1		2.10
226	—	Name Plate	1		—
227	949510Z	Rivet 2.5 x 4.8	8	( " )	0.40
228			1		
229					
230	949458Z	Spring Lock Washer	4	for M6 ( " )	0.40
231	965788	Motor Base	1		18.40
232	965789	Bolt M12 x 210	1		1.10
233	949561Z	Nut M12	1	( " )	0.40
234	949574Z	Lock Nut M12	1	( " )	0.40
235	965790	Bolt M10 x 120	2		0.50
236	949572Z	Lock Nut M10	1	( " )	0.40
237	965791	Washer (E)	1		0.90
238	949458Z	Spring Lock Washer	1	for M10 ( " )	0.40
239	965792	Pulley (A)	1	2.2 kW	18.40
240					
241	949755Z	Hexagon Socket Hd. Bolt M6 x 16	1	( " )	0.40
242	965794	Cover Packing (A)	1		0.90
243	965795	Cover Packing (B)	1		0.90
244	965838	Pulley (B)	1		32.20
245	965797	Feather Key 10 x 8 x 35	1		1.00
246	965715	Washer (B)	1		0.40
247	948530	Nut M20	1		0.40
248	965799	V-Belt	2	for 2.2 kW	4.60
248	965800	V-Belt	2	for 3.7 kW	4.60
249	965801	Belt Cover	1		42.50
250	949620Z	Belt M8 x 12	6	( " )	0.40
251	949427Z	Spring Lock Washer	6	for M8 ( " )	0.40
252	—	Switch	1	(B)GSK2-T 2.2kW	0.10
252	—	Switch	1	(B)GSK5-T5.5kW	0.10
253	965802	Switch Plate (A)	1	for 2.2 kW	2.20
253	965803	Switch Plate (B)	1	for 3.7 kW	2.20
254	949657Z	Hexagon Socket Hd. Bolt M6 x 12	4	( " )	0.40
255	949455Z	Spring Lock Washer	4	for M6 ( " )	0.40
256	949215Z	⊕Hd. Machine Screw M4 x 8	4	( " )	0.40
257	949453Z	Spring Lock Washer	4	for M4 ( " )	0.40
258	965804	Switch Packing	2	for 2.2 kW	0.40
258	965824	Switch Packing (B)	2	for 3.7 kW	0.40
259	965805	Cord (A) Ass'y	1	for 2.2 kW	1.40
260	965806	Cord (B) Ass'y	1	for 3.7 kW	6.90
261	965807	Vinyl Tube	2		0.40

Prices are subject to change without notice

B-750A(A1)

Item No.	Code No.	Parts Name	Q'ty	Remarks	LIST PRICE US\$
262	965378	Cord Clip	1		0.50
263	949258Z	⊕Hd. Machine Screw M6 x 20	1	(1 set = 10 pcs.)	0.40
264	949455Z	Spring Lock Washer	1	for M6 ( " )	0.40
265	949556Z	Nut M6	1	( " )	0.40
266	937480	Box Spanner	1		1.30
268	879054	Single-ended Wrench	1		1.80
269	965808	Mark Plate (A)	1		0.50
270	949510Z	Rivet 2.5 x 4.8	2	( " )	0.40
271	965809	Mark Plate (B)	2		0.40
272	965810	Band Saw Blade	1		65.40
273	—	Caution Plate (B)	1		—
274	965812	Washer (B)	1		0.40
275	949434Z	Washer	4	for M10 ( " )	0.40
276	939311Z	Connector	3		1.10
277	—	Caution Plate	1		—
278	—	Caution Plate (A)	1		—
279	965825	Sub Table	1		19.60
280	965826	Plate Table	1		11.30
281	965827	Plate Angle	1		4.80
282	949760	Hexagon Socket Hd. Bolt M8 x 25	4	( " )	0.40
283	949457Z	Spring Lock Washer		for M8 ( " )	0.40
284	949355Z	⊕Flat Hd. Screw M6 x 12	4		0.40
285	965828	Guide (B) Ass'y	1		42.50
286	965829	Guide Holder (B)	1		21.90
287	965830	Guide Plate	2		4.80
288	936368	Spring	4		0.50
289	949558Z	Nut M8	2	( " )	0.40
290	965831	U-Nut M8	2		0.60
291	967513	Spring Pin 8 x 60	2		0.30
292	965832	Knob (A)	1		2.10
293	965833	Roller Angle (A)	1		8.20
294	965834	Roller Angle (B)	1		8.20
295	965835	Roller	1		12.70
296	949622Z	Bolt M8 x 16	4	( " )	0.40
297	949457Z	Spring Lock Washer	4	for M8 ( " )	0.40
298	965836	Cover (B)	1		3.80
299	949237Z	⊕Hd. Machine Screw M5 x 12	2	( " )	0.40
310	949454Z	Spring Lock Washer	2	for M5 ( " )	0.40
301	949555Z	Nut M5	2	( " )	0.40
307		Guide Mark (A)	1		
308	974243	Motor Cover	1		
302	965813	Pulley (A)	1	3.7 kW	18.40
303	949560Z	Nut M10	5		0.40
304	965843	Guide Holder Ass'y	1		21.80
305					
306	964636	Free Bush	1		0.40