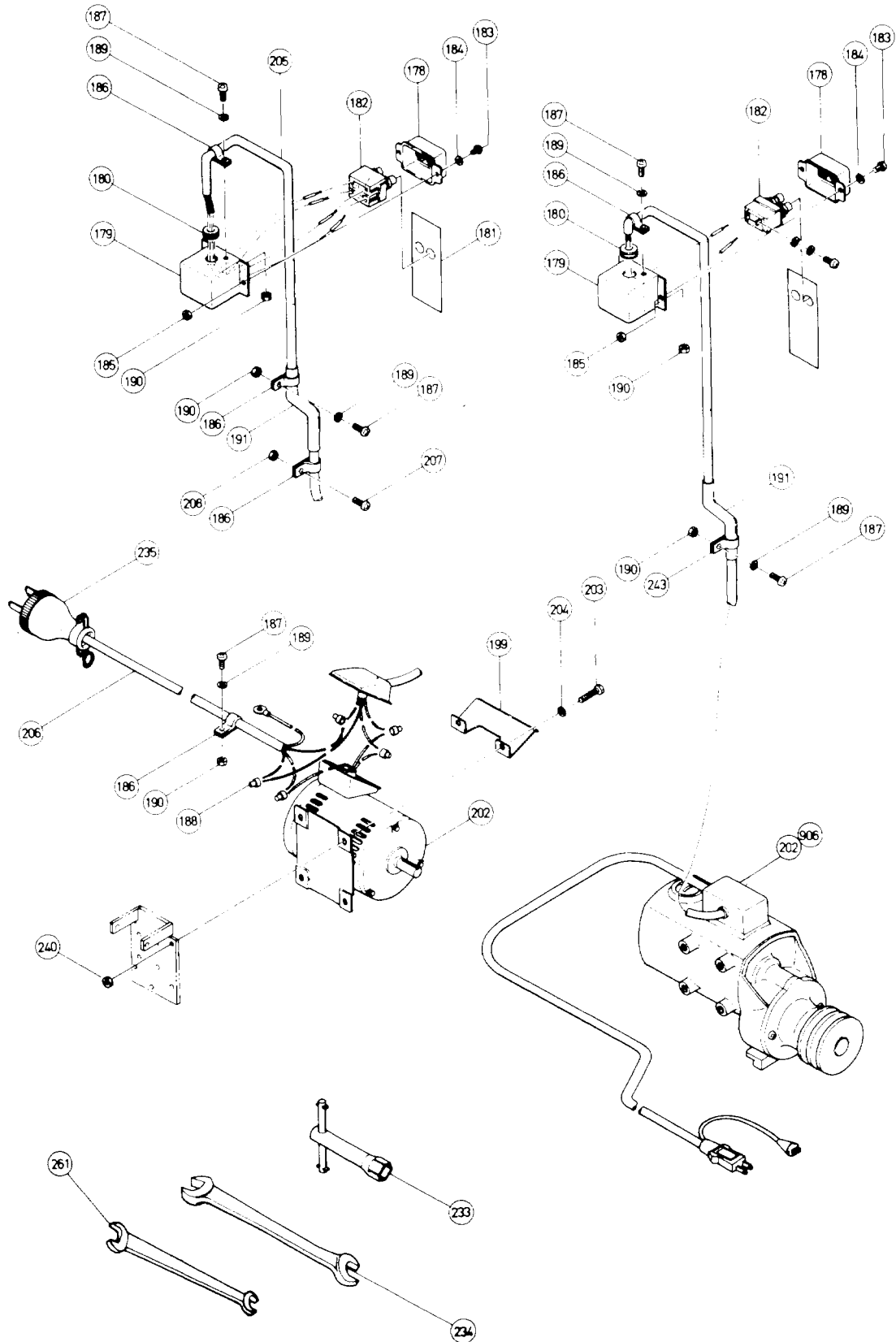


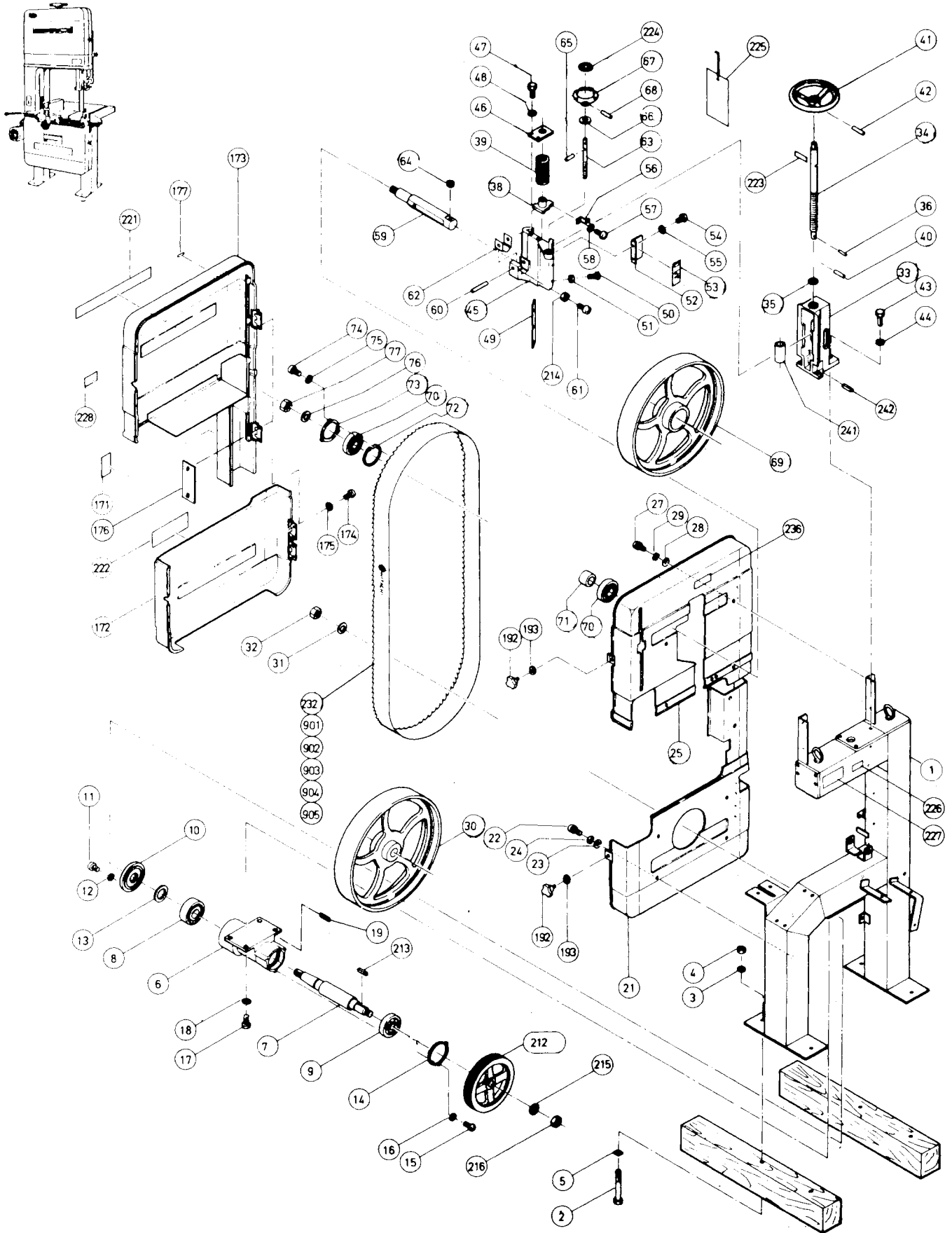


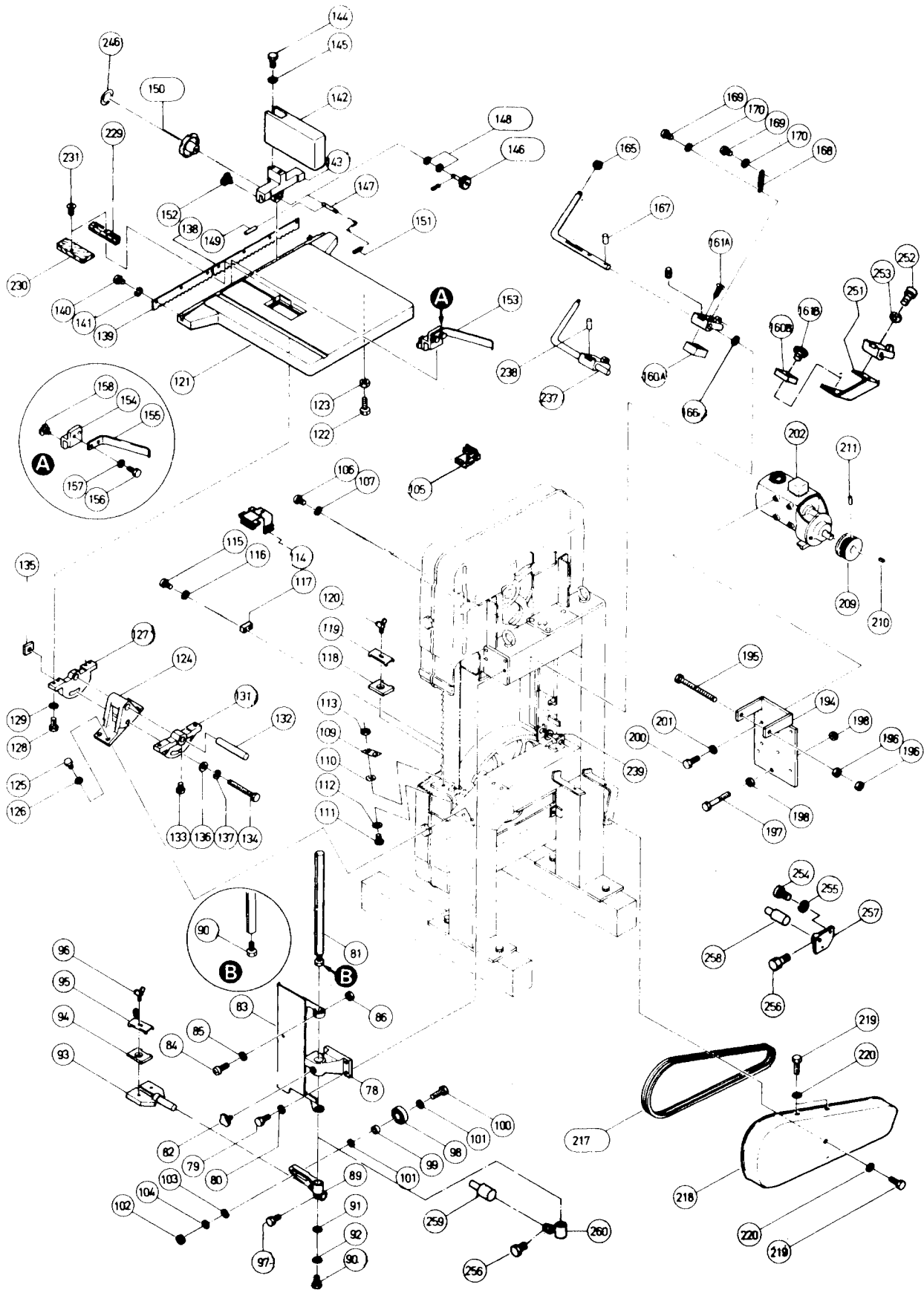
**HITACHI**

**BAND SAW**

**Model B-600A**









# HITACHI

## BAND SAW

## Model B-600A

ITEM NO.	PART NO.	NO. USED	DESCRIPTION	SUPPLY Q'TY	ITEM NO.	PART NO.	NO. USED	DESCRIPTION	SUPPLY Q'TY
1	967650	1	Frame		69	967982	1	Saw Wheel (D)	
2	968352	4	Bolt W3 / 8x75		70	939241	1	Ball Bearing 6206VVCM	
3	949458	4	Spring Washer M10	10	71	967959	1	Sleeve	
4	949559	4	Nut W3 / 8	10	72	948132	1	Retaining Ring D62	
5	948586	4	Square Washer M10		73	948528	1	Bearing Cover (B)	
6	967652	1	Casing		74	949239	3	Machine Screw M5x16	10
7	967715	1	Saw Shaft (A)		75	949454	3	Spring Washer M5	10
8	967654	1	Roller Bearing		76	948509	1	Washer (A)	
9	939457	1	Ball Bearing 6306ZZCM		77	948530	1	Nut M20	
10	967655	1	Bearing Cover (B)		78	967678	1	Arm	
11	949239	3	Machine Screw M5x16	10	79	949626	3	Bolt M8x25	10
12	949454	3	Spring Washer M5	10	80	949457	3	Spring Washer M8	10
13	967656	1	Felt Packing		81	948532	1	Positioner Shaft (includes Item 90)	
14	948506	1	Bearing Cover (A)		82	948584	1	Knob Bolt (B)	10
15	949239	3	Machine Screw M5x16	10	83	967679	1	Safety Cover	
16	949454	3	Spring Washer M5	10	84	949285	1	Machine Screw M6x38	10
17	949698	4	Bolt M10x30	10	85	949455	1	Spring Washer M6	10
18	949458	4	Spring Washer M10	10	86	949556	1	Nut M6 (10pack)	10
19	949879	2	Spring Pin 8x25	10	87	948844	1	Safety Cover (B)	
21	967705	1	Saw Cover		88	949396	2	Wing Bolt M5x8	10
22	949255	4	Machine Screw M6x12	10	89	967999	1	Positioner Head	
23	949432	4	Washer M6	10	90	949807	1	Bolt M10x55	10
24	949455	4	Spring Washer M6	10	91	949434	1	Washer M10	10
25	967983	1	Upper Cover (A)		92	949458	1	Spring Washer M10	10
27	949255	7	Machine Screw M6x12	10	93	948814	1	Positioner Base	
28	949432	7	Washer M6	10	94	965815	2	Saw Positioner	
29	949455	7	Spring Washer M6	10	95	965767	2	Positioner Holder	
30	967980	1	Saw Wheel (C)		96	949411	2	Wing Bolt M6x25	10
31	948509	1	Washer (A)		97	949624	1	Bolt M8x20	10
32	948510	1	Left Nut M20		98	939448	1	Ball Bearing 6203ZZCM	
33	967717	1	Slide Frame		99	948540	1	Sleeve (A)	
34	967718	1	Slide Shaft		100	949630	1	Bolt M8x40	10
35	955817	1	Washer M16		101	948541	2	Washer (D)	
36	949753	1	Roll Pin 5x20		102	949558	1	Nut M8	10
38	967719	1	Slide Nut		103	949426	2	Washer M8	10
39	967665	1	Tension Spring		104	949457	1	Spring Washer M8	10
40	949604	1	Roll Pin 5x28	10	105	967995	1	Duster (B)	
41	973580	1	Handle (old ≠ 967666)		106	949243	2	Machine Screw M5x25	10
42	949752	1	Roll Pin 5x36	10	107	949454	2	Spring Washer M5	10
43	949698	1	Bolt M10x30	10	108	967681	1	Spacer (A)	
44	949458	1	Spring Washer M10	10	109	948818	1	Sawdust Chute	
45	967707	1	Slider		110	949431	2	Washer M5	10
46	967668	1	Slide Plate		111	949237	2	Machine Screw M5x12	10
47	949626	2	Bolt M8x25	10	112	949454	2	Spring Washer M5	10
48	949457	2	Spring Washer M8	10	113	949555	2	Nut M5	10
49	967669	1	Liner		114	967984	1	Duster (A)	
50	949607	3	Bolt M6x30	10	115	949243	2	Machine Screw M5x25	10
51	949556	3	Nut M6	10	116	949454	2	Spring Washer M5	10
52	948521	1	Scale Plate		117	967681	1	Spacer (A)	
53	967997	1	Scale (C)		118	965815	2	Saw Positioner	
54	949237	2	Machine Screw M5x12	10	119	965767	2	Positioner Holder	
55	949454	2	Spring Washer M5	10	120	949411	2	Wing Bolt M6x25	10
56	948522	1	Guide Mark		121	967978	1	Table	
57	949237	1	Machine Screw M5x12	10	122	949698	1	Bolt M10x30	10
58	949454	1	Spring Washer M5	10	123	949560	1	Nut M10	10
59	967973	1	Saw Shaft (B)		124	948821	1	Hinge (A)	
60	967671	1	Pin		125	949698	4	Bolt M10x30	10
61	949241	1	Machine Screw M5x20	10	126	949458	4	Spring Washer M10	10
62	967673	1	Spacer (C)		127	967985	1	Hinge (B)	
63	967974	1	Knob Shaft		128	949698	2	Bolt M10x30	10
64	967975	1	Not (F)		129	949458	4	Spring Washer M10	10
65	949872	1	Roll Pin 5x25	10	131	967986	1	Hinge (C)	
66	949437	1	Washer M12	10	132	948824	1	Shaft	
67	967711	1	Knob		133	949755	1	Socket Bolt M6x16	10
68	949604	1	Roll Pin 5x28	10	134	948825	1	Bolt M12x110	



# HITACHI

## BAND SAW

## Model B-600A

ITEM NO.	PART NO.	NO. USED	DESCRIPTION	SUPPLY Q'TY	ITEM NO.	PART NO.	NO. USED	DESCRIPTION	SUPPLY Q'TY
135	948826	1	Square Nut M12		195	948564	1	Bolt M10x150	
136	949437	1	Washer M12		196	949560	2	Nut M10	10
137	949463	1	Spring Washer M12		197	948501	1	Bolt M10x90	
138	948830	1	Rack		198	949560	2	Nut M10	10
139	948831	1	Rack		199	967691	1	Motor Cover (three phase)	
140	949237	7	Machine Screw M5x12	10	200	949626	4	Bolt M8x25	10
141	949454	7	Spring Washer M5	10	201	949457	4	Spring Washer M8	10
142	968337	1	Guide Ass'y (till May, 1983)		202	—	1	Motor (single phase)	
142A	968338	1	Guide (since June, 1983)					(Model B-600M)	
143	968339	1	Guide Holder			—	1	Motor (three phase)	
144	949624	2	Bolt M8x20 (till Mar., 1983)	10				(Model EFOOP-4P, 1.5 kw)	
144A	949846	2	Bolt M10x30 (since Apr., 1983)	10	203	949626	4	Bolt M8x25	10
145	949457	2	Spring Washer M8 (till May, 1983)	10	204	949433	4	Washer M8	10
145A	949458	2	Spring Washer M10 (since June, 1983)	10	205	948576	1	Cord (three phase)	
146	967953	1	Pinion		206	947103	1	Cord (three phase)	
148	976244	3	Washer M12		207	949217	5	Machine Screw M4x12	10
149	949604	1	Roll Pin 5x28	10	208	949554	1	Nut M4	10
150	967711	1	Knob		209A	948837	1	Pulley (A)	
151	949753	1	Roll Pin 5x20	10	210	967174	1	Feather Key 7x7x30 (till May, 1984)	
152	948584	2	Knob Bolt (B)		210A	975559	1	Feather Key 8x7x38 (since June, 1984)	
153	967684	1	Guide (B) (includes Item 154 to 158)		211	968247	1	Set Screw M6x10	
154	967685	1	Guide Holder (B)		212	967972	1	Pulley (C)	
155	967686	1	Guide Spring		213	944867	1	Feather Key 7x7x35	
156	949622	2	Bolt M8x16	10	214	949555	1	Nut M5	10
157	949457	2	Spring Washer M8	10	215	948509	1	Washer (A)	
158	973163	1	Knob Bolt M10		216	948510	1	Nut M20	
160	974113	1	Brake Liner		217	967970	2	V-Belt (A-45)	
161	949331	1	Flat Screw M5x10	10	218	948571	1	Belt Cover	
165	932344	1	Grip (A)		219	949620	3	Bolt M8x12	10
166	949438	1	Washer M16	10	220	949457	3	Spring Washer M8	10
167	949681	2	Roll Pin 5x25	10	221	967693	1	Hitachi Label	
168	965779	1	Brake Spring		222	—	1	Nameplate (single phase)	
169	949256	2	Machine Screw M6x16	10		—	1	Nameplate (three phase)	
170	949455	2	Spring Washer M6	10	223	—	1	Mark Plate	
171	968710	1	Brake Mark		224	—	1	Knob Mark	
172	967688	1	Lower Cover (B) (till Dec., 1982)		225	—	1	Caution Tag	
172A	968344	1	Lower Cover (E) (since Mar., 1983)		226	—	1	Caution Plate	
173	967689	1	Upper Cover (C)		227	—	1	Caution Plate	
174	949255	8	Machine Screw M6x12	10	228	—	1	Caution Plate	
175	949455	8	Spring Washer M6	10	229	967699	1	Table Slot Insert (A)	
177	965128	1	Switch Plate (A)		230	967700	1	Table Slot Insert (B)	
178	965124	1	Switch Protector (A)		231	949352	2	Flat Screw M5x25	10
179	948556	1	Switch Cover		232	939971	1	Band Saw Blade (B)	
180	948613	1	Cord Armor		233	937480	1	Box Wrench 13mm	
181	937297	1	Switch Insulator		234	879078	1	Wrench 17x19mm	
182	937218	1	Switch (single phase)		235	966714	1	Plug 4 pole (three phase)	
	947100	1	Switch (three phase)		236	—	1	Caution Plate	
183	949237	2	Machine Screw M5x12	10	237	967996	1	Brake Holder	
184	949454	2	Spring Washer M5	10	238	949502	1	Roll Pin 5x30	10
185	949555	2	Nut M5	10	239	967714	1	Washer (C)	
186	948193	1	Nylon Clip (single phase)		240	949558	4	Nut M8 (three phase)	10
	967579	1	Nylon Clip (three phase)		241	967956	1	Stopper Collar	10
187	949239	3	Machine Screw M5x6	10	242	949879	2	Roll Pin 8x25	10
188	959141	2	Connector (three phase)	10	243	967579	1	Nylon Clip	
189	949454	3	Spring Washer M5	10	246	—	1	Guide Mark (A)	
190	949555	3	Nut M5	10	251	967987	1	Lininig Holder	
191	948574	1	Vinyl Tube (single phase)		252	949258	2	Machine Screw M6x20	10
	948575	1	Vinyl Tube (three phase)		253	949455	2	Spring Washer M6	10
192	948539	2	Knob Bolt (B)		254	949239	2	Machine Screw M5x16	10
193	965812	2	Washer (E)		255	949454	2	Spring Washer M5	10
194	948563	1	Motor Base		256	949624	2	Bolt M8x20	10
					257	967988	1	Positioner Guide (A)	
					258	967989	1	Saw Guide Shaft (A)	



# HITACHI

## BAND SAW

### Model B-600A

ITEM NO.	PART NO.	NO. USED	DESCRIPTION	SUPPLY Q'TY	ITEM NO.	PART NO.	NO. USED	DESCRIPTION	SUPPLY Q'TY
259	967993	1	Saw Guide Shaft (B)		268	968350	1	Sawdust Chute	
260	967994	1	Positioner Guide (B)		269	949236	2	Machine Screw M5x10	10
261	972043	1	Wrench 10x13mm		270	949454	2	Spring Washer M5	10
262	949432	2	Washer M6	10	271	932529	2	Stopper Plate	
263	949221	1	Machine Screw M4x20	10	272	949555	2	Nut M5	10
264	949453	1	Spring Washer M4	10	273	968348	1	Upper Cover (D)	
265	968347	1	Lower Saw Cover (D)		274	968349	1	Spacer (D)	
266	949236	3	Machine Screw M5x10	10	275	949844	4	Socket Screw M10x20	10
267	949454	3	Spring Washer M5	10					