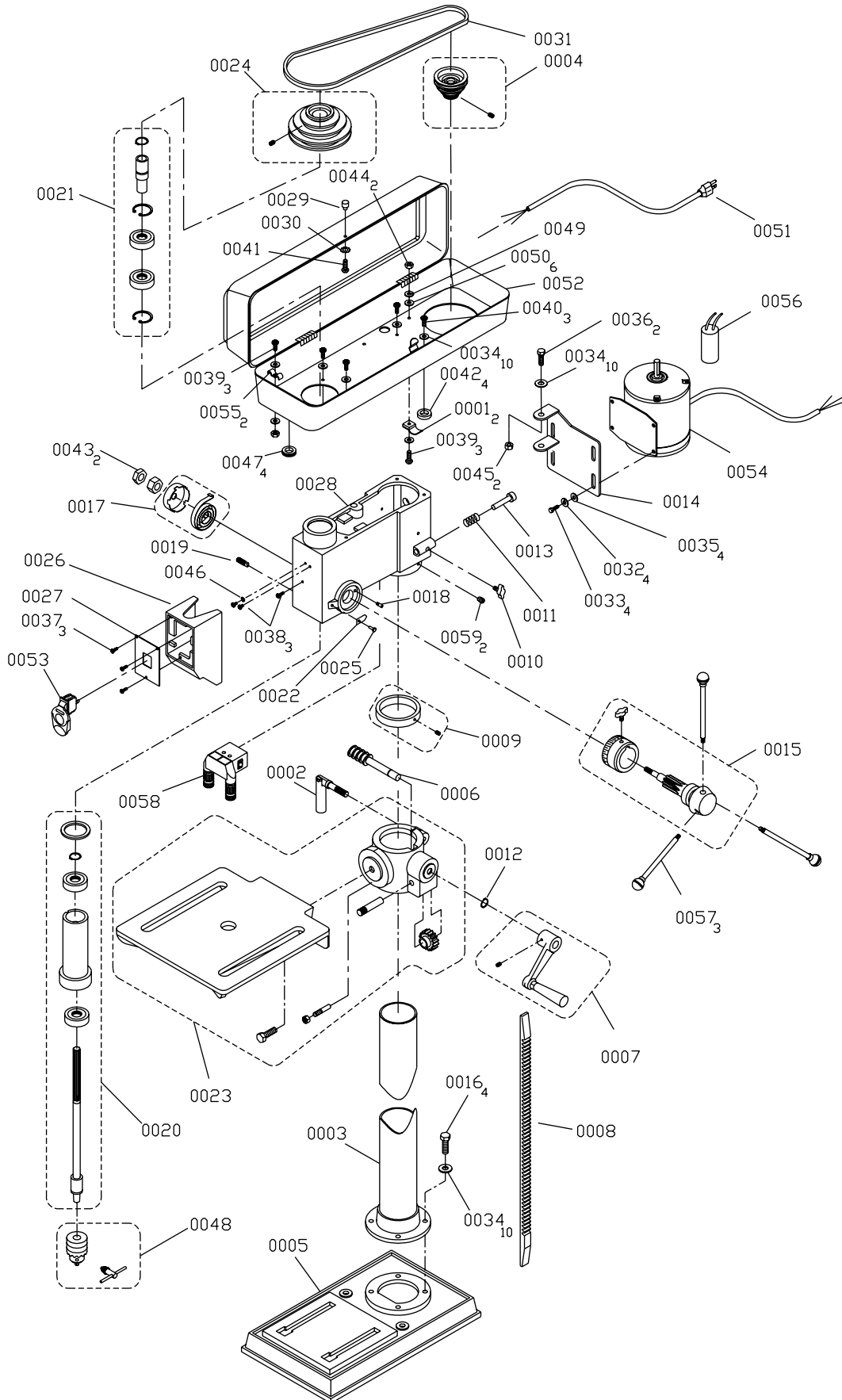


10" BENCH DRILL PRESS

MODEL NO. B13F

SCHEMATIC A



PARTS LIST

10" BENCH DRILL PRESS
MODEL NO. B13F
ALWAYS ORDER BY PART NO. AND I.D. NUMBER.
PARTS LIST FOR SCHEMATIC A

Part No.	I.D.	Description	Size	Qty	Part No.	I.D.	Description	Size	Qty
327441	0001	Clamp-Cord		2	327471	0031	V-Belt	O-762	1
327442	0002	Table Lock Handle		1	327472	0032	Spring Washer	M6	4
327443	0003	Column Ass'y		1	327473	0033	Hex Hd. Bolt	M6*10-12	4
327444	0004	Motor Pulley Ass'y		1	327474	0034	Flat Washer	M8	10
327445	0005	Base		1	327475	0035	Flat Washer	M6	4
327446	0006	Worm		1	327476	0036	Hex Hd. Bolt	M8*1.25-25	2
327447	0007	Crank Handle Ass'y		1	327477	0037	CR. RE. Truss Hd. Tapping Screw	M4*1.6-12	3
327448	0008	Rack		1	327478	0038	Cr. Re. Pan Hd. Screw	M5*0.8-10	3
327449	0009	Rack Ring Ass'y		1	327479	0039	Cr. Re. Pan Hd. Screw	M5*0.8-15	3
327450	0010	Shifter Knob		1	327480	0040	Cr. Re. Pan Hd. Screw	M6*1.0-8	3
327451	0011	Spring		1	327481	0041	Cr. Re. Pan Hd. Screw	M4*0.7-8	1
327452	0012	Retaining Ring	3AMI-14	1	327482	0042	Spacer		4
327453	0013	Shifter Bolt		1	327483	0043	Hex Nut	M10*1.5-8	2
327454	0014	Motor Base		1	327484	0044	Hex Nut	M5*0.8	2
327455	0015	Feed Shaft Ass'y		1	327485	0045	Hex Nut	M8*1.25	2
327456	0016	Hex Hd. Bolt	M8*1.25-20	4	327486	0046	External Tool Lock Washer	M5	1
327457	0017	Spring Cap Ass'y		1	327487	0047	Grommet		4
327458	0018	Pin		1	327488	0048	Chuck & Key	RJ33-16L	1
327459	0019	Quill Set Screw		1	327489	0049	Spring Washer	M5	1
327460	0020	Spindle Ass'y		1	327490	0050	Flat Washer	M5	6
327461	0021	Driving Sleeve Ass'y		1	327491	0051	Power Cable		1
327462	0022	Pointer		1	327492	0052	Pulley Cover		1
327463	0023	Table Ass'y		1	327493	0053	Rocker Switch		1
327464	0024	Spindle Pulley		1	327494	0054	Motor		1
327465	0025	Rivet		1	327495	0055	Clamp Cord		2
327466	0026	Switch Box		1	327496	0056	Capacitor		1
327467	0027	Switch Cover		1	327497	0057	Feed Handle		3
327468	0028	Head		1	327498	0058	Laser Guide Ass'y		1
327469	0029	Knob		1	0059	Set Screw	M8*8	2	
327470	0030	External Tool Lock Washer	M4	1					