



BOSCH

Pn-Accu-Screwdriver

Angle Exact ION 40-220 | 3 602 D94 614

Table of Content

Spare parts list.....	2
Illustration - Type.....	4

Pn-Accu-Screwdriver | Angle Exact ION 40-220 | 3 602 D94 614

Spare parts list

Item	Part Number	Description	Illustration
10	3 601 099 004	Switch Slide	1
19	1 900 210 125	O-Ring 25x2,5 MM	1
30	3 607 030 469	Planetary Gear Train	1
40	3 607 031 567	Assembly kit	1
50	1 607 233 5JF	Electronic Module	1
52	1 607 233 516	Indicator Plate	1
53	1 607 502 627	Microswitch	1
54	1 607 502 626	Light-Emitting-Diode	1
55	1 609 280 477	Compression Spring	1
62	3 601 923 030	Pusher	1
80	2 603 490 018	Torx Oval-Head Screw 3x18	1
91	1 607 A35 0M0	Battery Pack GBA 18V 4.0Ah	1
91	1 607 A35 0MA	Battery Pack GBA 18V 2.0Ah	1
93	3 607 020 314	Angle head	1
653	2 607 225 321	Charger EU 230/14,4-18V, 30 40 S	1
653	2 607 225 923	Charger GB 230/10,8-18V, 30 42 S	1
657	3 607 950 027	Screwdriver	1
659	3 601 923 017	Suspension Loop	1
801	3 607 031 756	Housing Assembly	1
802	3 607 031 770	Motor assembly	1
803	3 607 031 758	Sleeve assembly	1
804	3 607 031 759	Led-Holder	1
805	3 607 031 914	Electronics Module	1
806	3 607 031 915	drive electronics	1
807	3 607 031 762	Switching Element	1
808	3 607 031 768	Angle Flange	1
809	3 607 031 884	Switch	1
810	3 607 031 850	Set Of Plates	1
811	1 600 A00 7U6	Setting Ring	1
820	3 607 031 931	usb stick	1
890	3 600 106 027	Parts Set 5 PCE., BLACK	1
890	3 600 106 028	Parts Set 5 PCE., RED	1
890	3 600 106 029	Parts Set 5 PCE., LIGHT BLUE	1
890	3 600 106 030	Parts Set 5 PCE., LIGHT GREEN	1
890	3 600 106 031	Parts Set 5 PCE., ORANGE	1

Spare parts list

Item	Part Number	Description		Illustration
890	3 600 106 032	Parts Set	5 PCE, GREY	1
890	3 600 106 033	Parts Set	5 PCE, WHITE	1
899	1 610 101 621	Shim	0,1 MM THICK	1
93/100	3 609 202 A32	Housing		2
93/102	3 609 202 A36	Drive Shaft		2
93/139	3 605 106 093	Spindle Housing		2
93/140	2 916 080 012	Locking Washer	DIN 6799-9-FSt	2
93/145	3 600 905 015	groove ball bearing		2
93/147	1 610 910 069	Needle bearing		2
93/148	3 608 874 921	Spacer		2
93/149	2 916 660 011	Spring retaining ring	DIN 472-28x1,2 MM	2
93/150	1 610 210 116	O-Ring	14,0x2,0 MM	2
93/151	3 606 333 079	Bevel Gear		2
93/152	3 605 700 190	Bearing Flange		2
93/153	1 903 230 008	Ball	4,5 MM III DIN 5401-ST	2
93/155	3 603 100 000	Straight Pin		2
93/157	3 608 874 669	Needle bearing	INA 8,00x12,00x10,00	2
93/159	3 608 874 923	Shim	0,1	2
93/159	3 608 874 924	Shim	0,05	2
93/160	3 600 320 016	Guide Sleeve		2
93/161	3 606 333 078	Crown Gear		2
93/162	1 604 611 004	Compression Spring		2
93/163	1 603 124 060	Pressure Spindle		2
93/164	3 600 118 006	Spring retaining ring		2
93/29	3 606 337 219	Planetary-Gear Carrier		2
93/32	3 600 913 000	Needle-Roller Assembly	INA K3x5x7	2
93/35	2 917 530 083	Straight Pin	DIN 6325-3M6x24	2
93/36	3 600 905 023	groove ball bearing		2
93/39	3 606 316 099	Cylindrical Gear	Z=16	2
93/800	3 609 202 B05	Bevel Gear		2
881	1 607 000 CM1	Adapter Line		3
882	1 607 000 CM0	Adapter Line		3

Illustration - Type - E

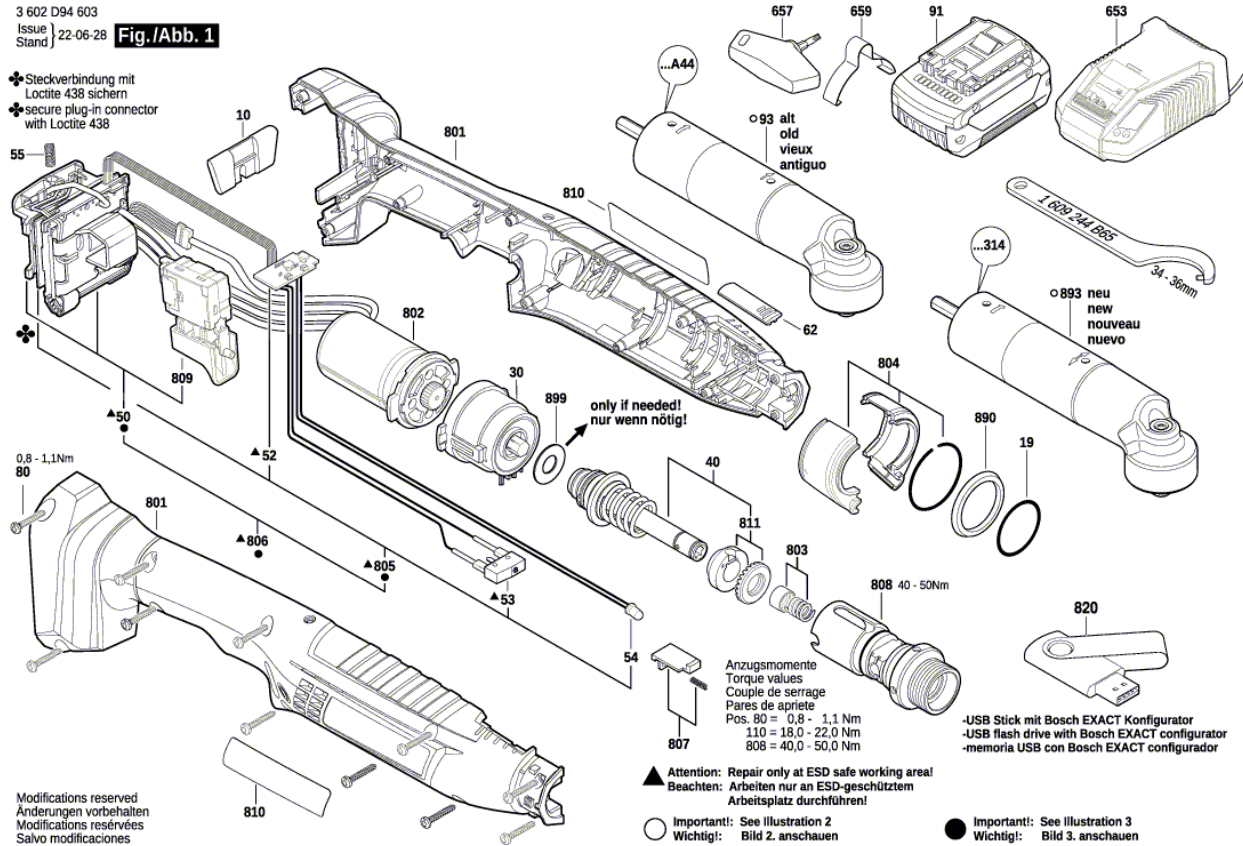


Illustration - Type - E

3 602 D94 603
Issue |
Stand |

Fig./Abb. 2

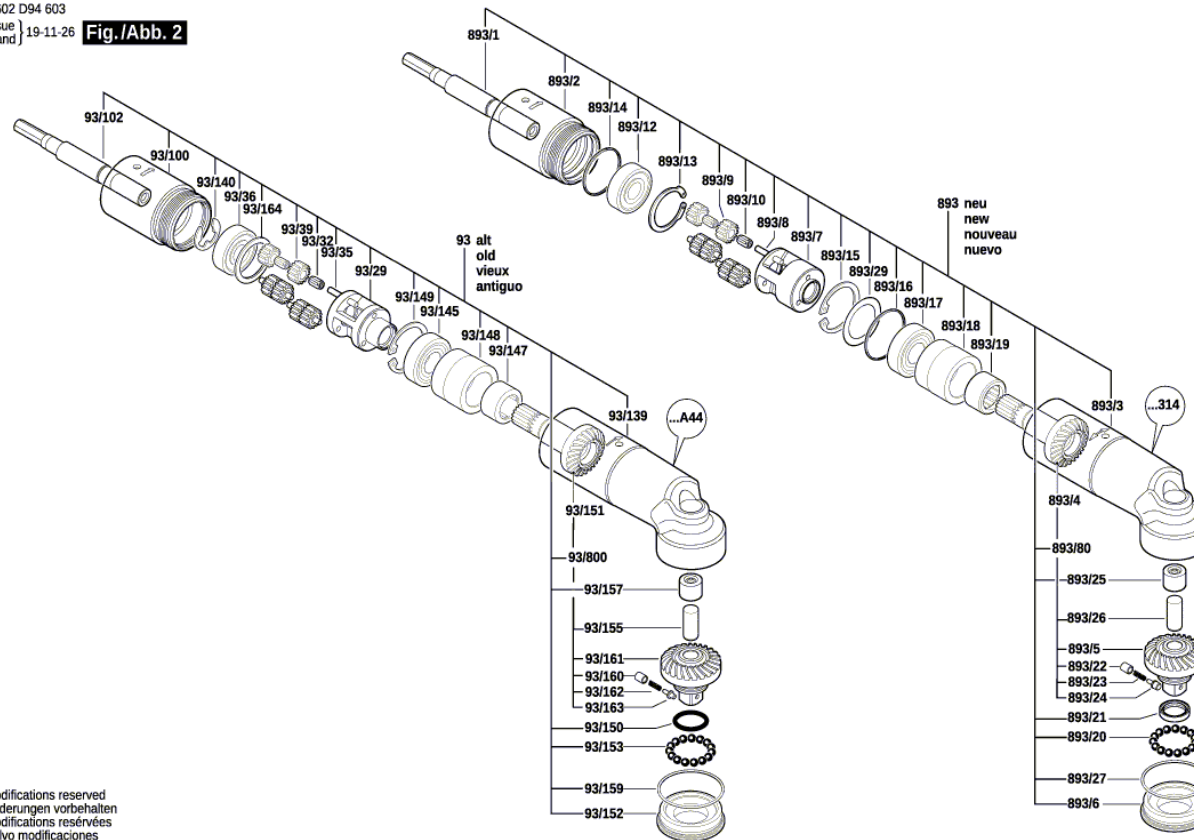


Illustration - Type - E

3 602 D94 603
Issue |
Stand |

19-11-14 **Fig./Abb. 3**

