



BOSCH

High Pressure Cleaner

AdvancedAquatak 150 | 3 600 HA7 780

Table of Content

Spare parts list.....	2
Illustration - Type.....	4

Spare parts list

Item	Part Number	Description	Illustration
810	F 016 F04 810	Torx SH cap screw	
811	F 016 F05 452	front cover	
812	F 016 F05 453	front cover	
813	F 016 F05 561	front cover	
814	F 016 F05 457	front cover	
821	F 016 F05 472	Cover	
825	F 016 F05 469	Wheel	
827	F 016 F05 470	Axle	
828	F 016 F05 473	Axle	
829	F 016 F05 458	Hook	
831	F 016 F05 474	Hook	
833	F 016 F05 456	Handle	
836	F 016 F05 468	Hose Reel Carrier	
844	F 016 F05 403	O-Ring Kit	
849	F 016 F05 511	High-Pressure Hose	
859	F 016 F04 651	Connector	
861	F 016 F05 460	Switch Box	
862	F 016 F05 829	Power supply cord	
863	F 016 F04 805	Switch Actuator	
883	F 016 F05 510	High-Pressure Hose	
808	F 016 F05 101	Nameplate	
809	F 016 F05 437	Warning Label	
820	F 016 F05 466	Cover	
830	F 016 F05 471	Hook	
834	F 016 F05 467	Handle	
835	F 016 F04 649	Set Of Handles	
801	F 016 F05 476	Motor	
822	F 016 F05 475	Cover	
843	F 016 F05 402	O-Ring	
847	F 016 F05 462	Wobble Plate	
848	F 016 F05 477	Washer	
850	F 016 F05 454	Seal Kit	
851	F 016 F05 465	Pump head	
852	F 016 F04 947	Piston Guide	
853	F 016 F05 463	Pump unit	

Spare parts list

Item	Part Number	Description	Illustration
856	F 016 F05 464	Non-Return Valve	
860	F 016 F05 451	Motor cover	
865	F 016 F05 184	Capacitor	
866	F 016 F05 478	Bearing set	
867	F 016 F05 479	Fan	
868	F 016 F05 459	Cap	
888	F 016 F05 661	Water filter	
864	F 016 F05 501	Clip	
870	F 016 F04 458	Seal Kit 2 x (5.3 x 1.6), 2 x (8x2), 2 x (7.x1.6)	
871	F 016 F05 512	Trigger	
872	F 016 F05 281	Lance	
874	F 016 F05 493	Fixed fan jet nozzle 60° WHITE	
877	F 016 F05 494	Vario Jet Fan Lance	
878	F 016 F05 495	Roto Jet Fan Lance	
879	F 016 F05 279	Bottle	
880	F 016 F05 555	Nozzle	
882	F 016 F05 855	Water filter	
884	F 016 F05 492	Hose Coupling	

Illustration - Type - E

3 600 HA7 740
 Stand | 19-04
 Issue | 19-12-02

Fig./Abb. 1

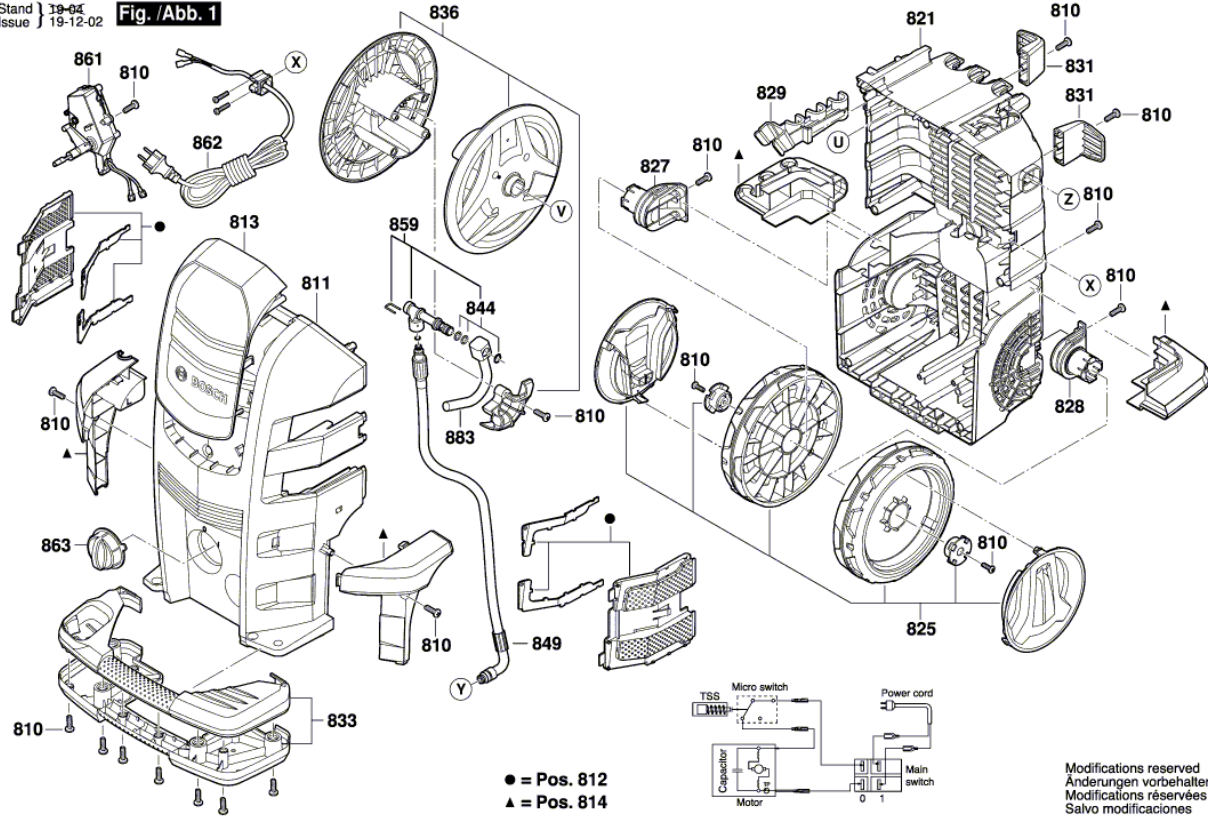
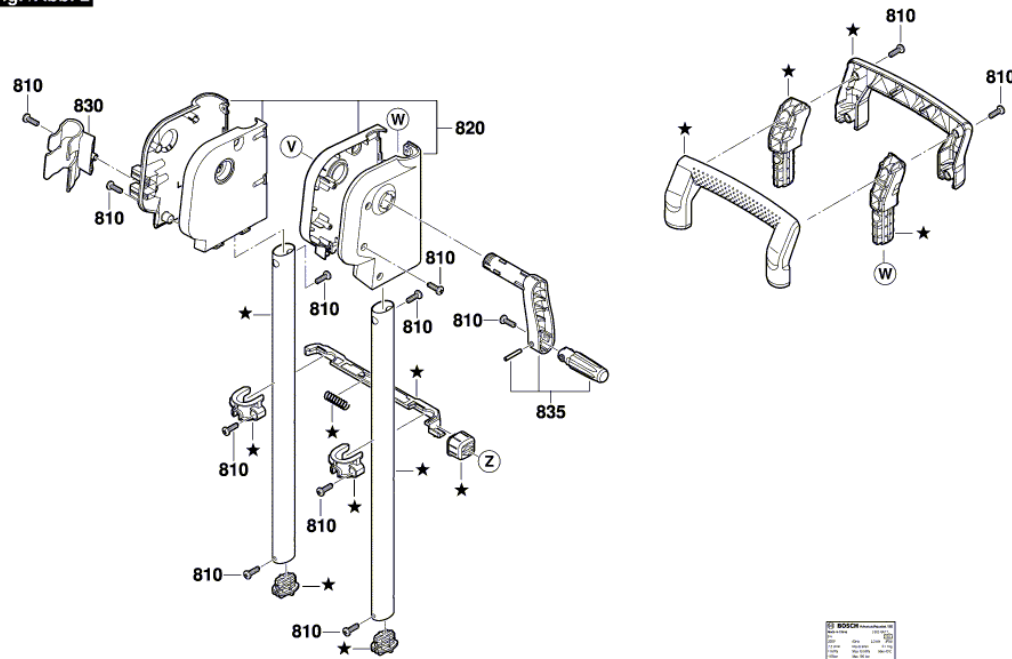


Illustration - Type - E

3 600 HA7 740
 Stand } 19-04-15
 Issue } **Fig. /Abb. 2**



Modifications reserved
 Änderungen vorbehalten
 Modifications réservées
 Salvo modificaciones

★ = Pos. 834

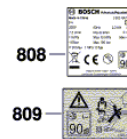


Illustration - Type - E

3 600 HA7 740
 Stand | 19-07
 Issue | 21-10-21

Fig./Abb. 3

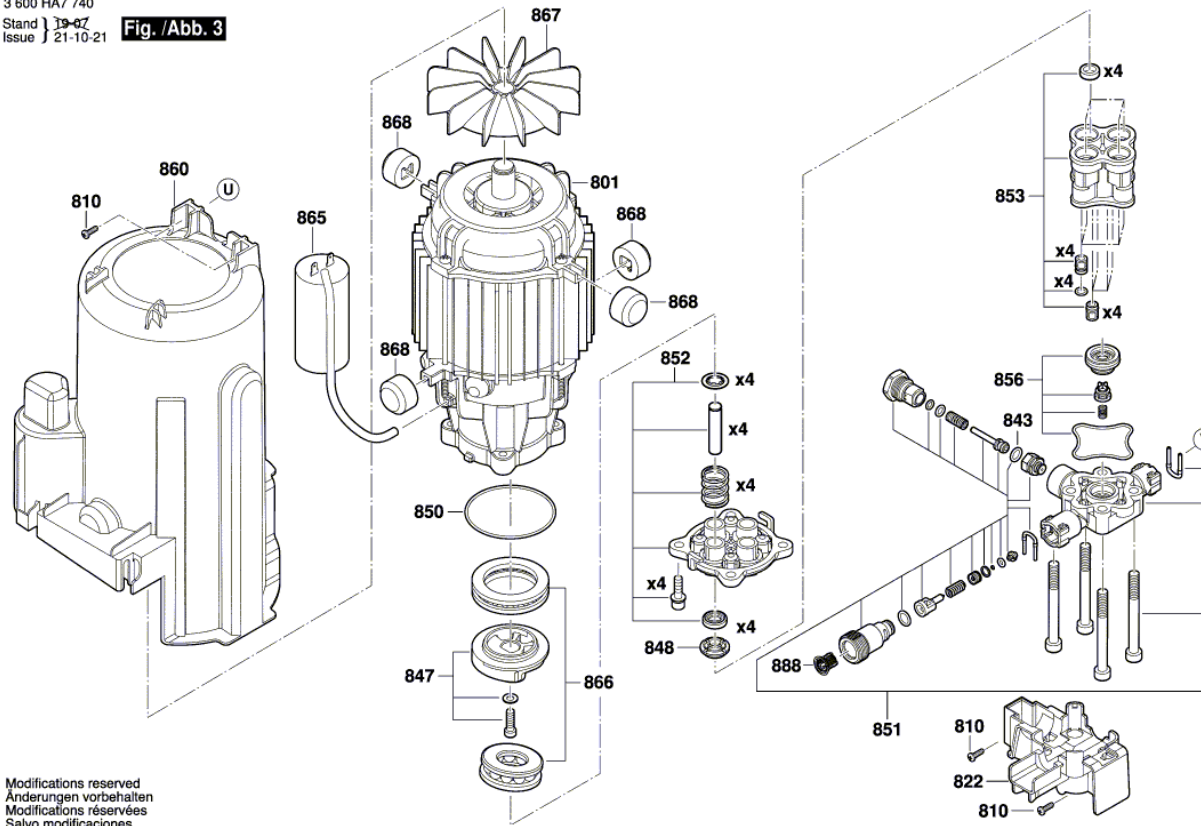
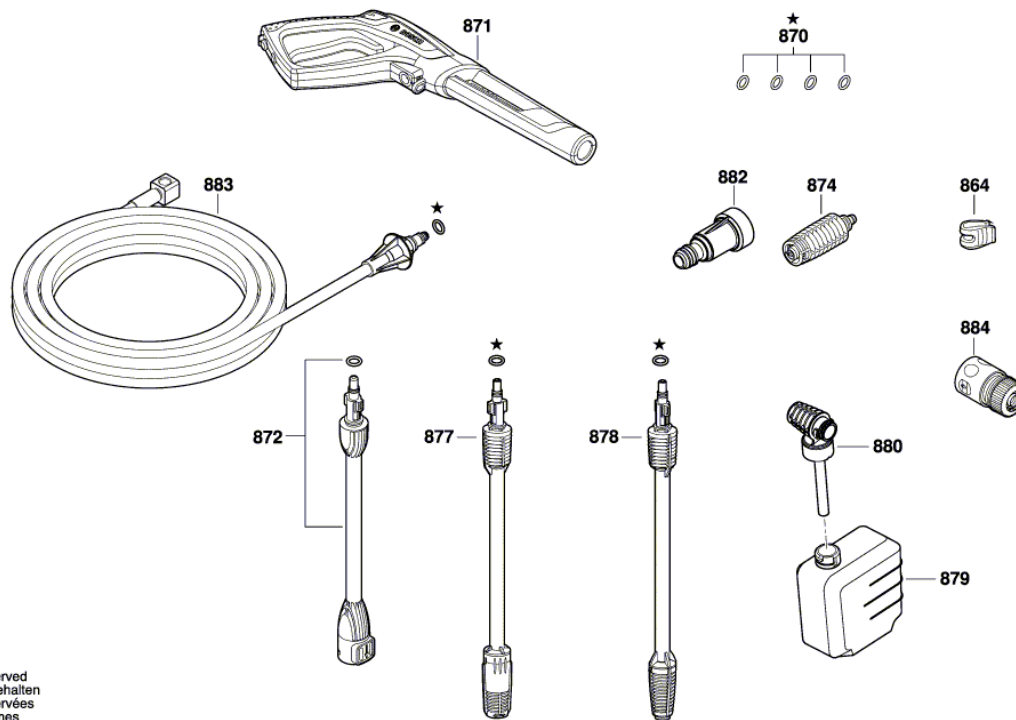


Illustration - Type - E

3 600 HA7 740
Stand } 19-07
Issue } 21-10-21 **Fig. /Abb. 4**



Modifications reserved
Änderungen vorbehalten
Modifications réservées
Salvo modificaciones