

***Tanaka***

---

**Parts Catalog**

**Brush Cutter**

**Model: AST-7000S**

# AST-7000S

## OPTIONS AND ACCESSORIES

### NYLON LINE



- 746156 .095, Box, 50 ft.
- 746157 .105, Box, 50 ft.
- 746160 .095, 1/2 lb. Box, 143 ft.
- 746161 .105, 1/2 lb. Box, 110 ft.
- 746165 .095, 1 lb. Box, 285 ft.
- 746166 .105, 1 lb. Box, 235 ft.
- 746169 .095, 3 lb. spool, 855 ft.
- 746170 .105, 3 lb. spool, 705 ft.
- 746173 .095, 5 lb. spool, 1425 ft.
- 746174 .105, 5 lb. spool, 1175 ft.

### SEMI-AUTO HEAD



746153 PNH-180

#### Parts List

ET-1201	Body
ET-1206	Cap
ET-1225	Adapter
ET-1205	Spool
ET-1207	Eyelet
ET-1208	Spring
ET-1209	Bump Disk

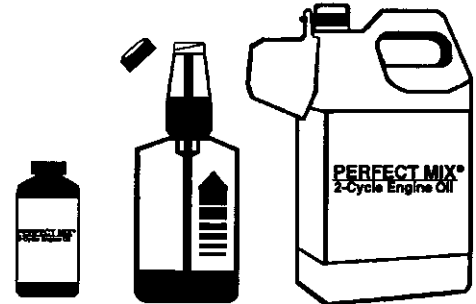
### ALUMINUM MANUAL HEAD



PCH-100  
(746180)

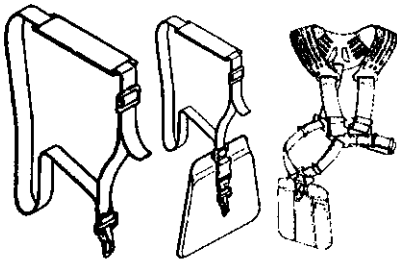
PCH-300  
(746190)

### PERFECT MIX® 2-Cycle Engine Oil



- 700109 2.8 oz. Bottle, 1 Gallon Size (24\*)
- 700108 16 oz. Self-measuring Bottle (24\*)
- 700110 1 Gallon Jug Commercial Size (6\*)
- \* Case Quantity

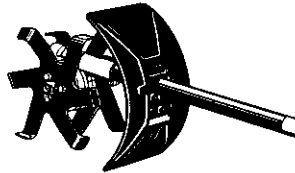
### SHOULDER STRAPS



PSS-175 SS-250\* SS-400\*

\* Requires 355-37302-900

### TMC-200 CULTIVATOR



### BLADES

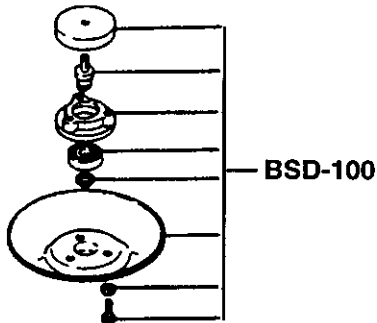


- 746101 Weed Blade, 9"X4T
- 746103 Weed Blade, 9"X48T
- 746104 Saw Blade, 9"X80T
- 746192 Carbide Blade, 9"X36T

### MISCELLANEOUS

970-47651-200	Owner's Manual
DPL-A700S-HST	Parts Catalog
WSM-TBC	Service Manual
756-0634F-900	Recoil Starter Kit (fig. 9)

### BLADE SAFETY DISK



### SPECIAL TOOLS

006-29326-000	Flywheel Remover	037-29376-000	Clutch Remover
009-29323-500	Piston Pin Remover	001-29000-000	Tachometer
015-29338-000	Gear Shaft Remover	070-2000W-500	Pressure Tester
016-29338-000	Pinion Remover	070-2000W-501	Carb. Tool Kit



## Grass Trimmer Attachments

### TPS-200

Pruning Saw Attachment

The versatile TPS-200 Pruning Saw attachment easily converts Tanaka straight shaft grass trimmers / brushcutters into a powerful pruning saw.



#### TPS-200 Features:

- 24" Shaft Provides a 98" Overall Length when mounted
- 10" Oregon® Bar & Chain
- Easy-Mount Coupler

*To be used with the following Tanaka models:*

- AST-7000 / 7000S / 210
- TBC-4500 / 4501 / 2211
- TBC-220 / 240
- TBC-250 / 2501 / 2510 / 265
- TBC-270PF/PN



TPS-EXT Pruning Saw **Extension** (Part # 748511) Add an **extra two feet of reach** with this pruning saw extension that will fit on both the TPS-2510 and TPS-270PN Pruning Saws. In addition, it can be added to Tanaka straight shaft grass trimmers that utilize the TPS-200 Pole Saw Attachment.

### TPH-200

Pole Hedge Trimmer Attachment

For added reach and maneuverability, the TPH-200 Pole Hedge Trimmer attachment can be added to several Tanaka straight shaft grass trimmers / brushcutters.



#### TPH-200 Features:

- 22" Double Sided Cutting Blades
- Articulating / Pivoting Cutting Angle up to 130 degrees.

*To be used with the following Tanaka models:*

- AST-7000 / 7000S / 210
- TBC-4500 / 4501 / 2211
- TBC-220 / 240
- TBC-250 / 2501 / 2510 / 265
- TBC-270PF/PN

### TMC-200

Mini-Cultivator

This simple, easy to install attachment is ideal for quick garden / flower bed weeding and cultivation. For maximum depth, the TMC-200 can dig up to 4 inches into the ground and 6" wide.

With a 49:1 reduction ratio, this heavy duty gear box gives you more tilling power.



*To be used with the following Tanaka models:*

- AST-7000 / 7000S / 210
- TBC-4500 / 4501 / 2211
- TBC-220 / 240
- TBC-250 / 2501 / 2510 / 265
- TBC-270PF/PN
- TBC-300 / 3010
- TBC-420PF

All data and specifications are subject to change without notice  
For more information, contact:

**FIG.1 ENGINE**

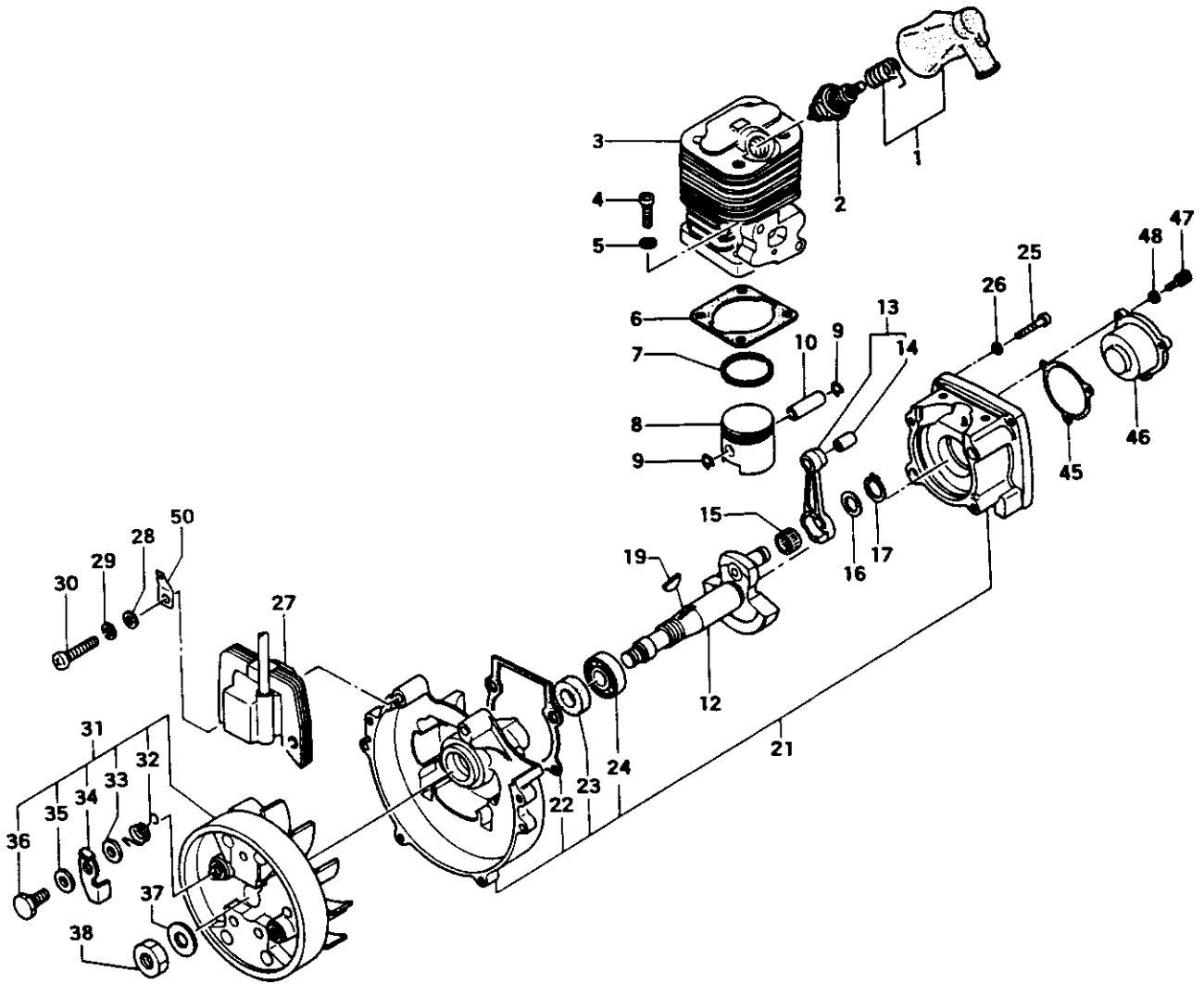


FIGURE 1

## AST-7000S PARTS LISTING

REF.	PART NO.	PART DESCRIPTION	Q	C	S	SERIAL NO.	REMARKS
1	157-0097A-900	CAP, SPARK PLUG	1		B		
2	018-11660-21	PLUG, SPARK, BPM-6A	1		B		
3	002-0634F-21	CYLINDER	1		C		
4	990-11050-181	SCREW, 5X18mm	4		B		
5	992-10050-012	WASHER, S 5mm	4		C		
6	017-0631A-200	GASKET, CYLINDER	1		B		
7	041-00000-210	RING, PISTON	1		A		
8	031-0634F-201	PISTON	1		C		
9	039-06100-200	CIRCLIP, PISTON PIN	2		A		
10	037-06097-20	PIN, PISTON	1		B		
12	046-0634F-82	CRANKSHAFT	1		C		
13	061-0634F-80	ROD, CONNECTING	1		D		
14	999-62071-127	BEARING, NEEDLE F-79	1		C		
15	999-62101-432	BEARING, NEEDLE, 10148	1		D		
16	801-10205-202	WASHER, PULLEY	1		C		
17	993-50010-002	RING, STOP, C-10 EX	1		C		
19	068-10100-200	KEY, WOODROFF, 3X13X4.5mm	1		C		
21	072-0634F-910	CRANKCASE, ASSY.	1		D		
22	090-06097-200	GASKET, CRANKCASE	1		C		
23	999-66152-511	SEAL, OIL, #VE15X25X7mm	1		A		
24	999-61600-200	BEARING, BALL, 6002	1		B		
25	990-11050-251	SCREW, 5X25mm	4		D		
26	992-10050-012	WASHER, S, 5mm	4		A		
27	167-20508-800	COIL, IGNITION	1		B		
28	992-00050-011	WASHER, SMALL, 5mm	2		C		
29	992-10050-012	WASHER, S 5mm	2		C		
30	990-11050-201	SCREW, 5X20mm	2		D		
31	155-20514-901	ROTOR, MAGNETO ASSY.	1		D		
32	790-0633M-210	SPRING, PAWL	2		D		
33	786-00601-200	WASHER, RECOIL STARTER	2		D		
34	788-0633M-210	PAWL, STARTER	2		D		
35	822-00601-200	SHIM, 7X11.8X.60mm	2		D		
36	793-0636T-200	BOLT, STEP	2		D		
37	992-00120-011	WASHER, 12mm	1		D		
38	991-11120-011	NUT, 12mm	1		D		
45	317-0634F-200	PACKING, LID	1		D		
46	078-0634F-200	LID, CRANKCASE	1		D		
47	990-51050-123	BOLT, HEX, 5X12mm	3		C		
48	992-10050-062	WASHER, SPRING 4mm	3		D		
50	205-0634F-200	TAB, GROUND	1		D		

\* Indicates the part is included in a kit or assembly and is not available individually. Q=Quan. used C=Interchangeability S=Stocking code: A-Fast moving B=Med. fast C=Med. move D=Slow move E=N.L.A. F=Superseded or replaced by a new part

# FIG.2 ENGINE COMPONENTS

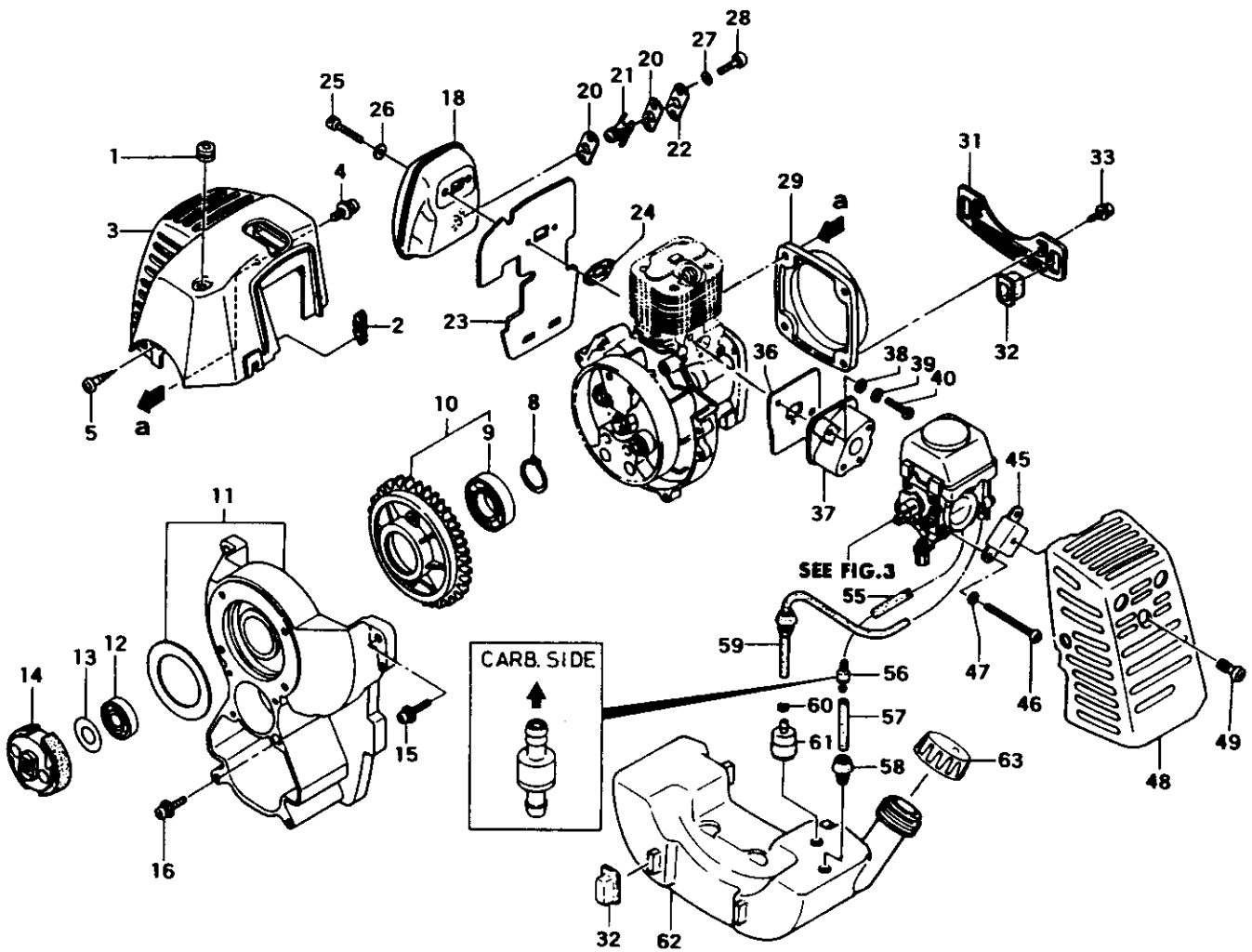


FIGURE 2

## AST-7000S PARTS LISTING

REF.	PART NO.	PART DESCRIPTION	Q	C	S	SERIAL NO.	REMARKS
1	202-01003-201	GROMMET,SECONDARY CORD	1		C		
2	203-0631A-200	GROMMET	1		C		
3	738-0631A-201	PROTECTOR, MUFFLER	1		C		
4	994-15040-222	SCREW, PS, 4X22mm	2		A		
5	990-72045-164	SCREW, TAPPING, 4.5X16mm	2		C		
8	993-50017-002	RING, STOP C17 EX	1		C		
9	999-61600-301	BEARING, BALL, 6003ZZ	1		D		
10	774-0634F-800	PULLEY, STARTER	1		D		
11	112-0634F-82	CASE, FAN	1		D		
12	999-61600-001	BEARING, BALL, 6000ZZ	1		D		
13	173-35500-200	SHIM, 10.1X16X.20mm	V		D		
13	174-35500-200	SHIM, 10.1X16X.30mm	V		D		
13	175-35500-200	SHIM, 10.1X16X1.0mm	V		D		
14	277-0631Q-900	CLUTCH, ASSY.	1		C		
15	994-16050-202	SCREW, 5X20/WS	1		C		
16	994-16050-422	SCREW, 5X42/WS	3		C		
18	706-0631A-801	MUFFLER	1		D		
20	751-04200-201	GASKET, MUFFLER	2		C		
21	732-0631A-200	ARRESTER, SPARK	1		C		
22	734-0631A-20	PIPE, TAIL	1		D		
23	133-0631A-201	SHIELD, HEAT	1		B		
24	737-06100-21	GASKET, MUFFLER	1		B		
25	990-51050-503	BOLT, HEX, 5X50mm	2		C		
26	992-01050-011	WASHER, 5mm	2		A		
27	992-10040-012	WASHER, S, 4mm	2		B		
28	990-11040-081	SCREW, 4X8mm	2		C		
29	218-0634F-200	COVER, CRANKCASE	1		D		
31	653-0631A-200	BRACKET, TANK	1		D		
32	655-00940-201	CUSHION, FUEL TANK	4		A		
33	994-15040-222	SCREW, PS, 4X22mm	2		A		
36	403-0631A-202	GASKET, INLET MANIFOLD	1		A		
37	404-0631P-800	INSULATOR, CABBURETOR	1		D		
38	992-00050-011	WASHER, SMALL, 5mm	2		C		
39	992-10050-012	WASHER, S, 5mm	2		A		
40	990-11050-221	SCREW, 5X22mm	2		B		
45	476-0631P-200	BOARD, BLOW OVER CHECK	1		D		
46	990-11040-551	SCREW, 4X55mm	2		D		
47	992-10040-012	WASHER, S, 4mm	2		B		
48	452-0631P-200	COVER, CLEANER	1		C		
49	380-0631A-200	BOLT, CLEANER COVER	1		B		
55	700-03005-030	PIPE, FUEL, 3X5X30mm	1		D		
56	586-25108-901	VALVE, CHECK, ASS'Y.	1		C		

\* Indicates the part is included in a kit or assembly and is not available individually. Q=Quan. used C=Interchangeability S=Stocking code: A=Fast moving B=Med. fast move C=Med. move D=Slow move E=N.L.A. F=Superseded or replaced by a new part.

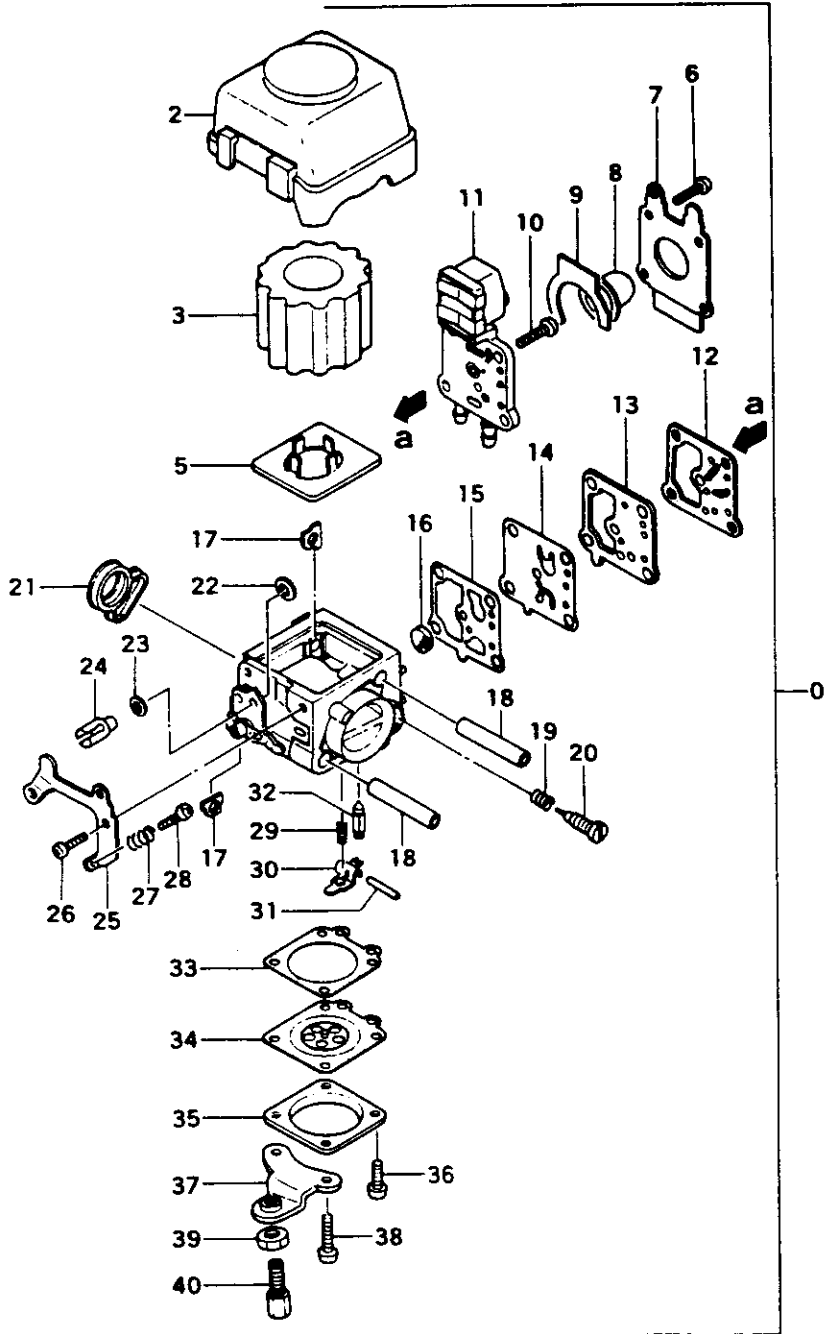
**AST-7000S PARTS LISTING**

REF.	PART NO.	PART DESCRIPTION	Q	C	S	SERIAL NO	REMARKS
57	700-03005-065	PIPE, FUEL, 3X5X65mm	1		D		
58	222-06300-200	GROMMET, FUEL PIPE	1		B		
59	223-0162V-900	PIPE, FUEL, ASSY.	1		A		
60	680-00731-201	CLIP	1		B		
61	675-04042-80	FILTER, FUEL	1		A		
62	591-0633R-21	TANK, FUEL	1		A		
63	595-0650A-90	CAP, TANK	1		A		

\* Indicates the part is included in a kit or assembly and is not available individually. Q=Quan. used C=Interchangeability S=Stocking code: A=Fast moving B=Med. fast move C=Med. move D=Slow move E=N.L.A. F=Supersceded or replaced by a new part.



**FIG.3 CARBURETOR**



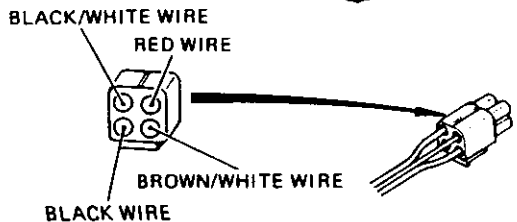
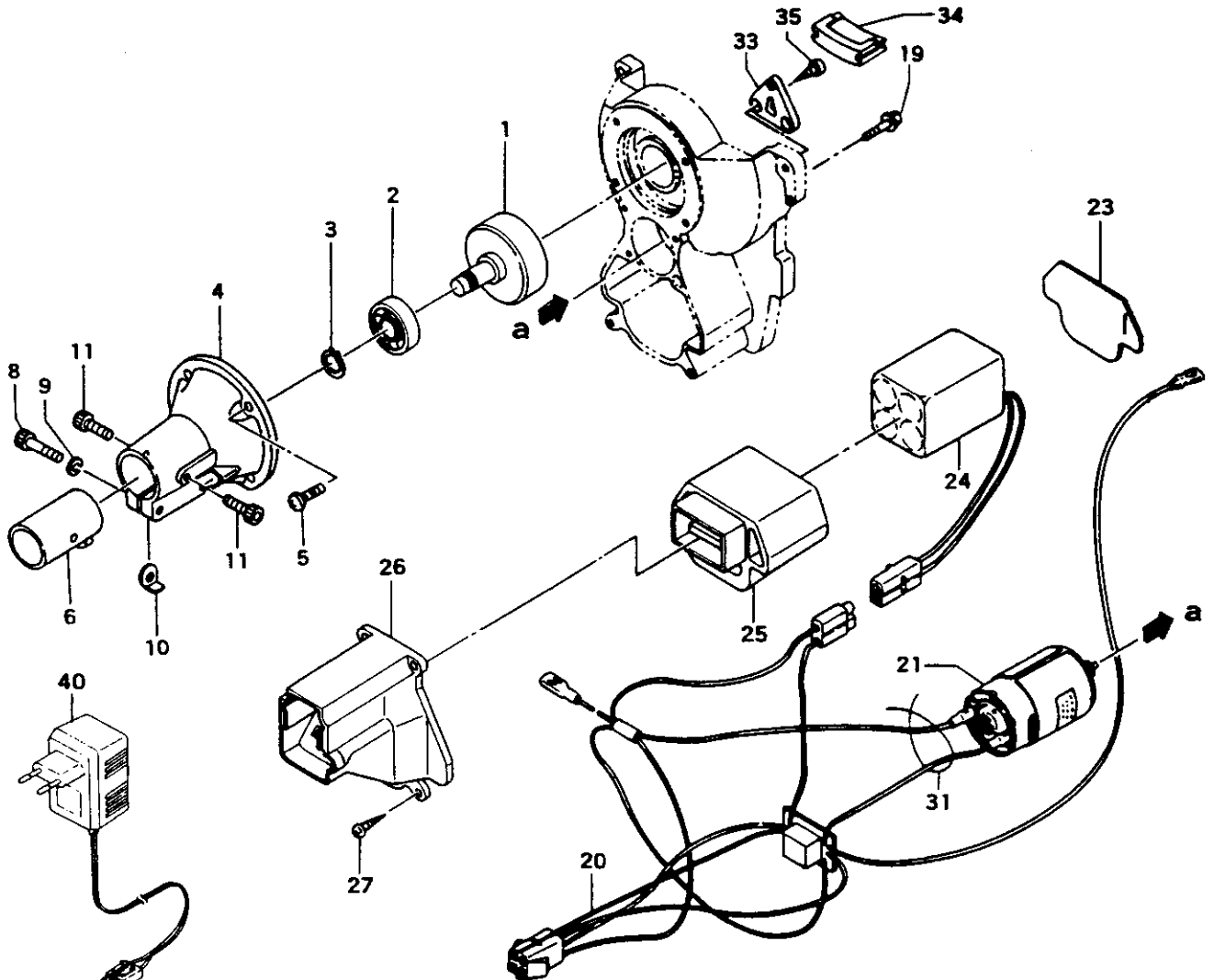
**FIGURE 3**

**AST-7000S PARTS LISTING**

REF.	PART NO.	PART DESCRIPTION	Q	C	S	SERIAL NO.	REMARKS
0	455-25138-90	CARBURETOR ASS'Y	1		C		
2	424-0631P-200	CAP, CLEANER	1		D		
3	421-0631P-200	ELEMENT, CLEANER	1		B		
5	425-0631P-200	BASE, CLEANER	1		D		
6	548-25108-200	SCREW, SET	4		D		
7	452-25108-200	COVER, PRIMING PUMP	1		D		
8	447-25108-200	BULB, PRIMING	1		A		
9	----	(1) (2) GASKET, OVER FLOW	1				
10	548-25108-200	SCREW, SET	1		D		
11	575-25108-800	BODY, PUMP	1		C		
12	----	(1) (2) GASKET, PUMP PLATE	1				
13	523-25108-200	PLATE, PUMP	1		D		
14	----	(1) (2) DIAPHRAGM, PUMP	1				
15	----	(1) (2) GASKET, PUMP DIAPHRAGM	1				
16	----	(1) SCREEN, INLET	1				
17	636-25108-200	PLATE, SLEEVE	2		D		
18	437-25108-200	SLEEVE	2		D		
19	485-25108-200	SPRING, ADJUST, HIGH	1		D		
20	460-25108-200	SCREW, HIGH ADJUST	1		D		
21	449-0631P-200	(1) (2) GASKET, CARBURETOR	1		D		
22	489-25100-200	RING, STOP	1		D		
23	549-25100-200	WASHER, THRUST	1		D		
24	539-25101-200	SWIVEL	1		D		
25	544-25108-200	STAY, ADJUSTER	1		D		
26	514-25108-200	SCREW, SET	2		D		
27	463-25100-200	SPRING, IDLE ADJUST	1		D		
28	462-25100-20	SCREW, IDLE ADJUST	1		D		
29	477-25013-200	SPRING, VALVE	1		D		
30	----	(1) HINGE, VALVE	1				(1) Carb. Repair Kit 650-25108-910
31	----	(1) PIN, HINGE	1				
32	----	(1) VALVE, NEEDLE	1				(2) Carb. Gasket/Dia. Kit 652-25108-910
33	----	(1) (2) GASKET, DIAPHRAGM	1				
34	----	(1) (2) DIAPHRAGM, METERING	1				
35	476-25004-200	COVER, DIAPHRAGM	1		D		
36	514-25105-200	SCREW, SET	2		D		
37	614-25108-200	STAY, CABLE ADJUSTER	1		D		
38	514-25108-200	SCREW, SET	2		D		
39	991-01060-013	NUT, 6mm	1		B		
40	894-01401-201	RECEIVER, OUTER	1		B		

(1) (2) Indicates the part is included in a kit or assembly and is not available individually. Q=Quan. used  
 C=Interchangeability S=Stocking code: A=Fast moving B=Med. fast move C=Med. move D=slow move E=N.L.A.  
 F=Superseded or replaced by a new part.

# FIG.4 CLUTCH CASE



**WARNING :** Incorrect wiring can cause serious damage to electrical components.

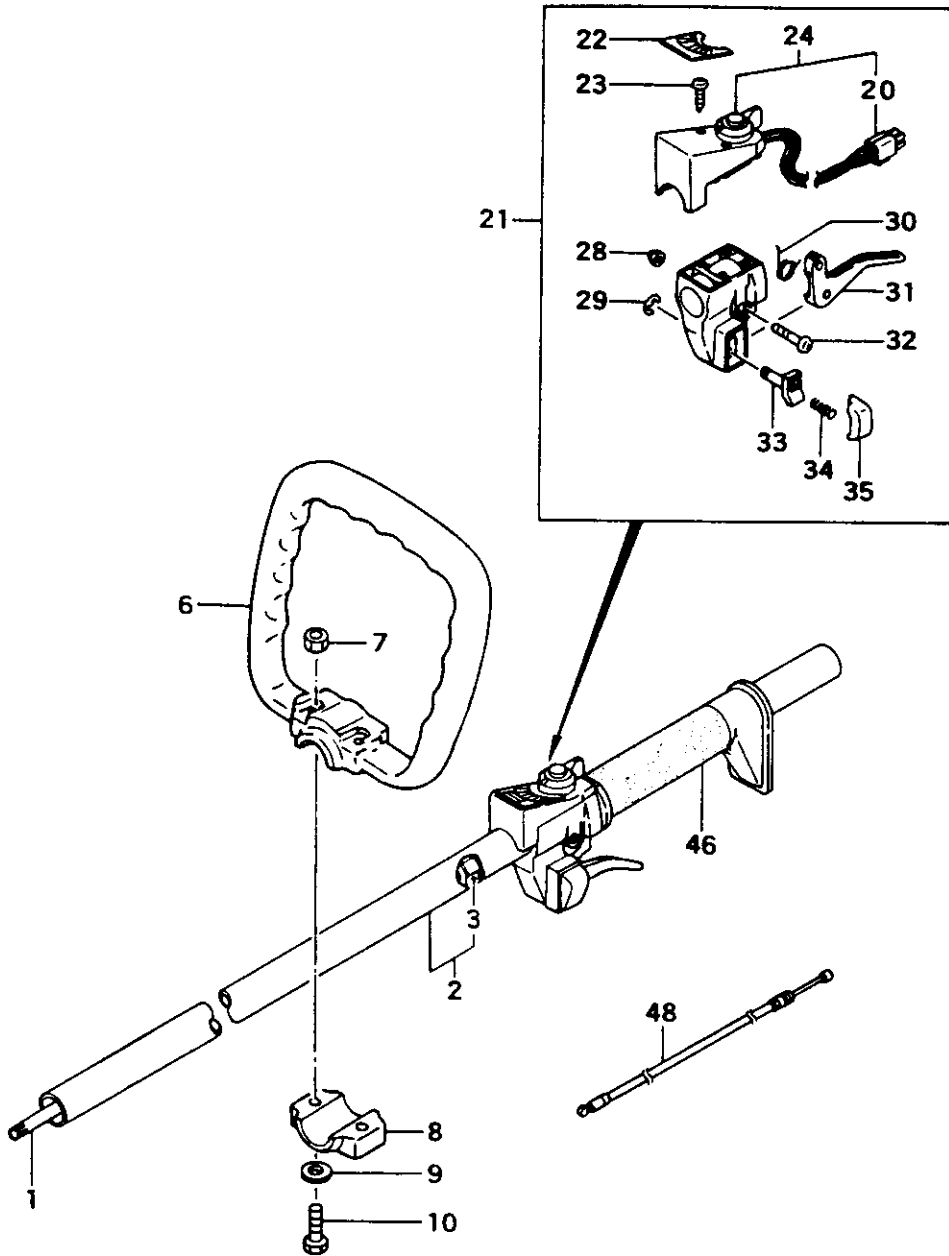
**FIGURE 4**

**AST-7000S PARTS LISTING**

REF.	PART NO.	PART DESCRIPTION	Q	C	S	SERIAL NO	REMARKS
1	289-06460-80	DRUM, CLUTCH	1		D		
2	999-61620-101	BEARING, BALL 6201ZZ	1		C		
3	993-50012-002	RING, STOP, C-12 EX	1		A		
4	331-0636J-22	CASE, CLUTCH	1		D		
5	994-14050-162	SCREW, S, 5X16mm	4		C		
6	599-0636J-21	CUSHION, ANTI-VIBE	1		D		
8	990-51050-253	BOLT, HEX, 5X25mm	1		B		
9	992-10050-062	WASHER, S, 5mm	1		D		
10	249-0630G-201	SPACER	1		D		
11	990-51050-153	BOLT, HEX, 5X15mm	2		C		
19	990-54030-085	SCREW, HEX, 3X8mm	2		D		
20	655-37651-81	HARNESS, WIRE	1		D		
21	306-0634F-800	MOTOR	1		D		
23	599-0634F-200	CUSHION	1		D		
24	BP-5000	BATTERY ASS'Y.	1		B		
25	152-0634F-200	PROTECTOR, BATTERY	1		D		
26	136-0634F-20	COVER, FAN CASE	1		D		
27	990-72045-164	SCREW, TAPPING, 4.5X16mm	4		C		
31	266-37600-200	CLAMP, WIRE	1		D		
33	670-37623-20	HOLDER, SHAFT	1		D		
34	129-0636T-20	COVER, SEAL	1		D		
35	990-72045-164	SCREW, TAPPING, 4.5X16mm	2		C		
40	BC-5000	CHARGER, BATTERY	1		A		

\* Indicates the part is included in a kit or assembly and is not available individually. Q=Quan. used C=Interchangeability S=Stocking code: A=Fast moving B=Med. fast move C=Med. move D=Slow move E=N.L.A. F=Superseded or replaced by a new part.

**FIG.5 HANDLE**



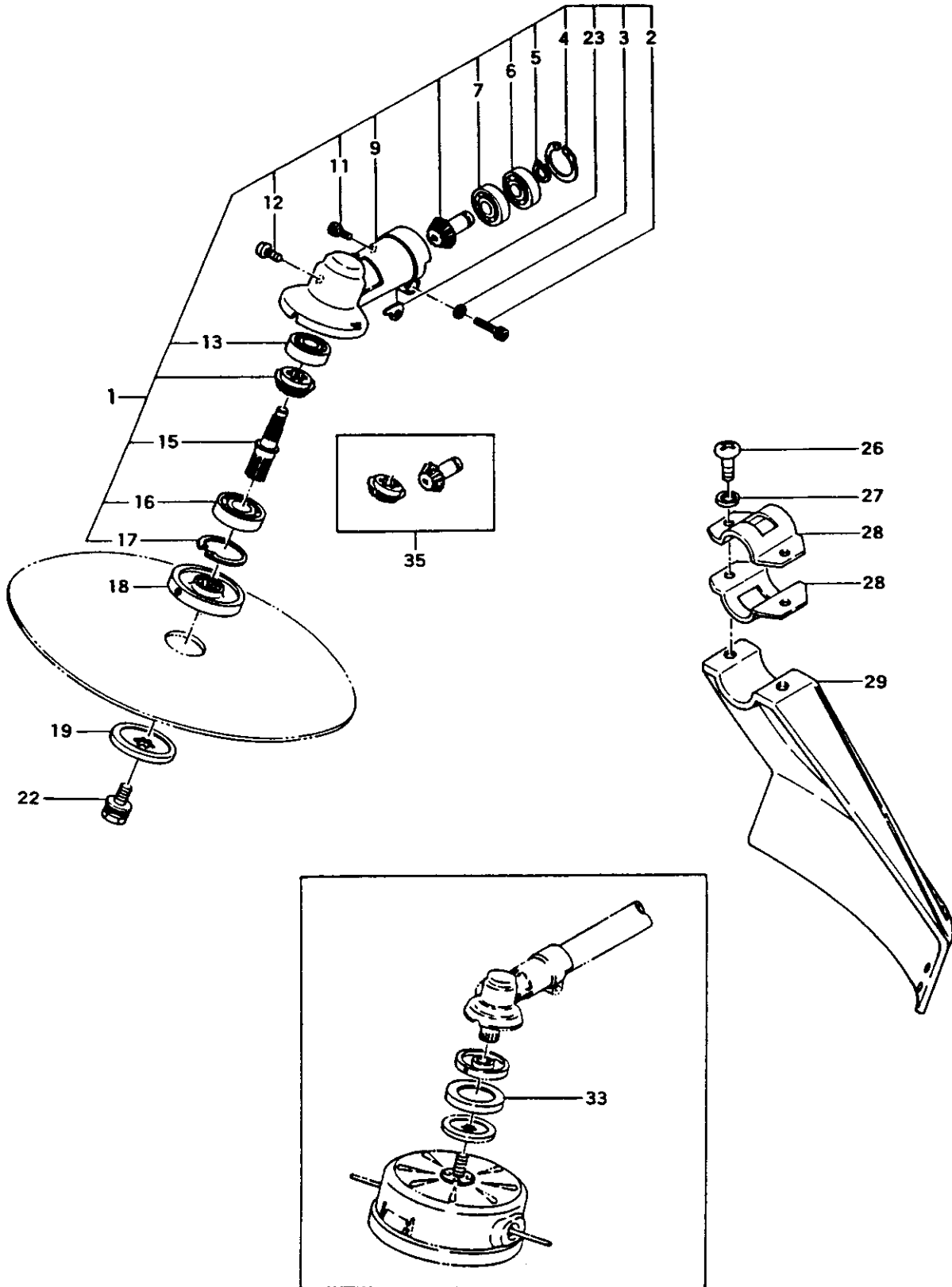
**FIGURE 5**

**AST-7000S PARTS LISTING**

REF.	PART NO.	PART DESCRIPTION	Q	C	S	SERIAL NO	REMARKS
1	343-37618-20	SHAFT, DRIVE	1		D		
2	341-37616-81	PIPE, DRIVE SHAFT	1		D		
3	347-37601-900	BUSHING, ASS'Y	5		C		
6	500-33316-200	HANDLE	1		C		
7	991-01060-011	NUT, 6mm	2		A		
8	506-33316-200	BRACKET, HANDLE A	1		D		
9	992-01060-011	WASHER, 6mm	2		A		
10	990-23060-401	BOLT, P, 6X40mm	2		D		
20	656-37600-200	CONNECTOR, MALE, 4P	1		D		
21	870-37600-91	LEVER, THROTTLE	1		D		
22	169-37602-200	DECAL, AST-5000	1		D		
23	993-42030-251	SCREW, TAPPING	2		D		
24	156-37600-91	BUTTON, START	1		D		
28	991-86050-000	NUT, LOCK, 5mm	1		D		
29	993-55060-001	RING, STOP, 6mm	1		D		
30	832-37101-200	SPRING, RETURN	1		C		
31	880-37101-200	ARM, THROTTLE	1		B		
32	994-31050-251	SCREW, S., 5X25mm	1		C		
33	853-37101-200	SHAFT, LOCK BUTTON	1		D		
34	958-37101-200	SPRING, LOCK BUTTON	1		D		
35	956-37101-200	BUTTON, LOCK	1		D		
46	504-37603-20	GRIP, SHAFT	1		D		
48	885-0631S-80	WIRE, THROTTLE	1		D		

\* Indicates the part is included in a kit or assembly and is not available individually. Q=Quan. used C=Interchangeability S=Stocking code: A=Fast moving B=Med. fast move C=Med. move D=Slow move E=N.L.A. F=Superceded or replaced by a new part.

**FIG.6 GEAR CASE**



**FIGURE 6**

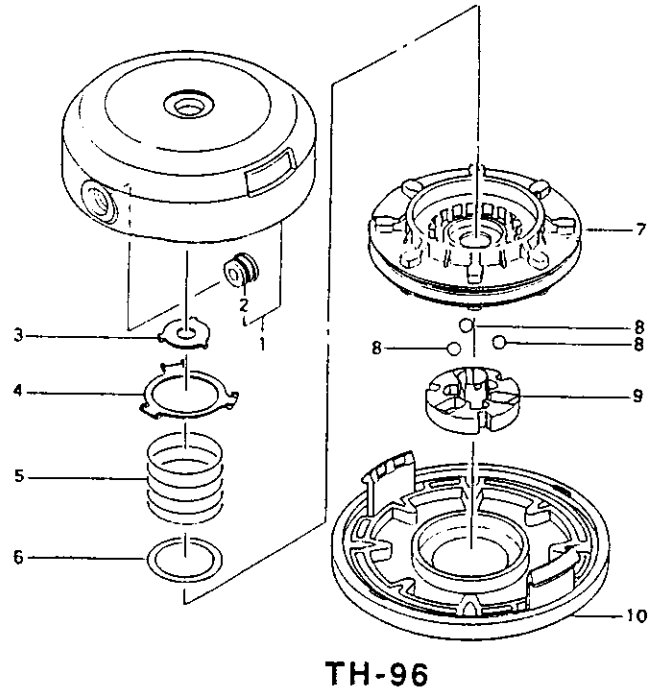
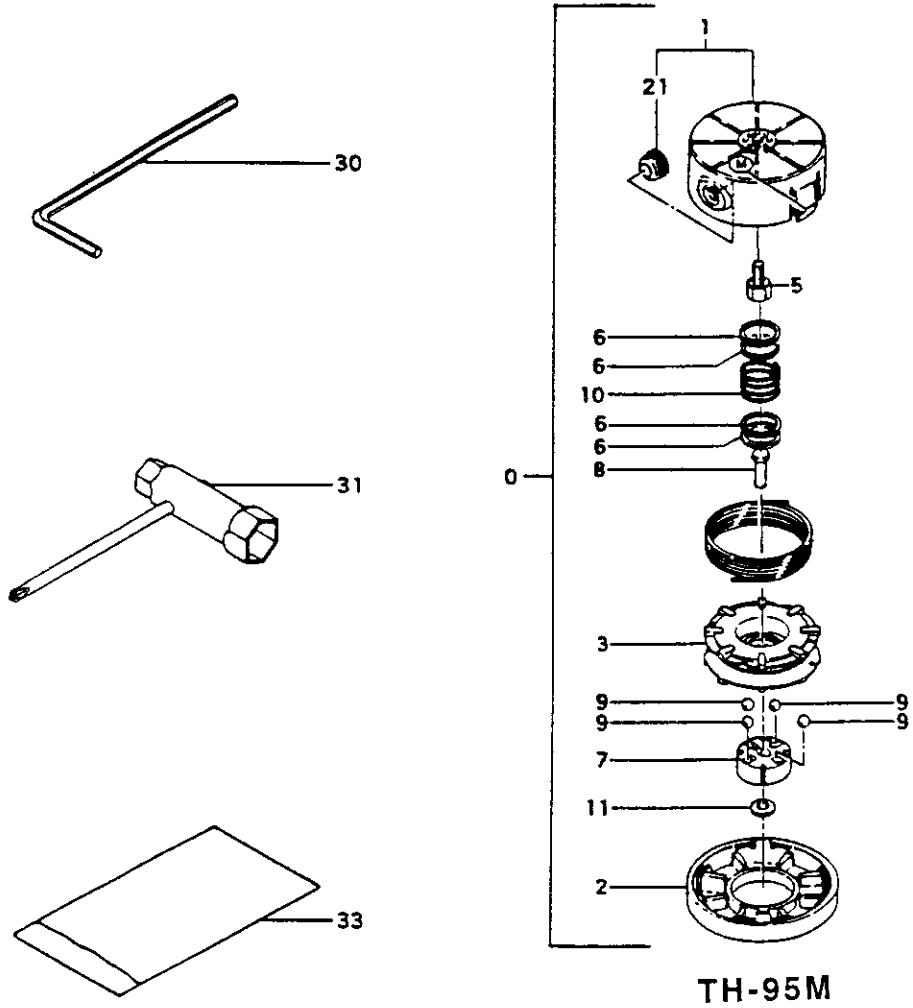
**AST-7000S PARTS LISTING**

REF.	PART NO.	PART DESCRIPTION	Q	C	S	SERIAL NO	REMARKS
1	300-37417-91	CASE, GEAR ASS'Y	1		D		
2	990-51050-253	BOLT, HEX, 5X25mm	1		B		
3	992-10050-062	WASHER, S, 5mm	1		D		
4	993-53022-002	RING, STOP, R22 IN.	1		C		
5	993-50010-002	RING, STOP, C10 EX.	1		C		
6	999-61690-001	BEARING, BALL, 6900ZZ	1		B		
7	999-61690-000	BEARING, BALL, 6900	1		B		
9	300-37623-20	CASE, GEAR	1		D		
11	990-51050-103	BOLT, HEX HOLE, 5X10mm	1		C		
12	990-15080-100	SCREW, 8X10mm	1		D		
13	999-61626-000	BEARING, BALL, #626	1		B		
15	304-37307-200	SHAFT, GEAR	1		C		
16	999-61600-104	BEARING, B ALL, 6001DD	1		B		
17	993-51028-002	RING, STOP, C28 IN.	1		C		
18	310-37623-202	HOLDER, CUTTER	1		B		
19	311-37300-20	CAP, CUTTER HOLDER	1		A		
22	312-33386-20	BOLT, FIXING	1		C		
23	324-37350-20	WASHER, GEAR CASE	1		D		
26	990-23060-161	BOLT, 6X16mm PLUS	2		C		
27	992-10060-012	WASHER, S, 6mm	2		A		
28	442-37417-200	BRACKET, SAFETY GUARD	2		C		
29	441-33905-800	GUARD, SAFETY	1		A		
33	307-37307-200	PROTECTOR, WINDING	1		D		
35	301-37300-01	SET, GEAR/PINION	1		A		

\* Indicates the part is included in a kit or assembly and is not available individually. Q=Quan. used  
 C=Interchangeability S=Stocking code: A=Fast moving B=Med. fast move C=Med. move D=Slow move  
 E=N.L.A. F=Superseded or replaced by a new part.



# FIG.7 TOOLS & NYLON HEAD



**FIGURE 7**

**AST-7000S PARTS LISTING**

REF.	PART NO.	PART DESCRIPTION	Q	C	S	SERIAL NO.	REMARKS
0	783-33910-91	HEAD, AUTO, (TH-95M)	1		A		<b>TH-95M</b>
1	786-33004-900	BODY, CUTTING ASS'Y	1		A		
2	789-33004-21	CAP, BODY	1		A		
3	787-33004-202	REEL, (R S M X)	1		A		
5	314-33670-20	BOLT, 8X1.25 LH GOLD	1		A		
6	792-33004-200	WASHER, REEL	5		A		
7	790-33004-200	SLIDER, REEL	1		A		
8	791-33004-200	HOOK, REEL SLIDER	1		A		
9	673-35600-20	BALL, STEEL	4		B		
10	793-33910-20	SPRING, REEL	1		A		
11	358-02103-200	WASHER, CLUTCH A	1		A		
21	788-33071-20	EYELET	2		A		
30	813-20000-200	WRENCH, HEX, 4	1		D		
31	826-20000-200	SPANNER, BOX, 17X19	1		D		
33	948-39907-200	BAG, TOOL	1		D		

REF.	PART NO.	PART DESCRIPTION	Q	C	S	SERIAL NO.	REMARKS
0	783-33810-90	HEAD, AUTO, (TH-96)	1		B		<b>TH-96</b> NOTE: This head can be fitted on any AST-7000S
1	786-33810-90	BODY, CUTTING	1		B		
2	788-33071-20	EYELET	1		A		
3	760-33810-20	WASHER, MOUNTING	1		A		
4	785-33810-20	BASE, ADJUSTMENT	1		B		
5	793-33810-21	SPRING, REEL	1		A		
6	792-33810-20	WASHER, ADJUSTMENT	1		A		
7	787-33810-20	REEL	1		B		
8	673-35600-20	BALL, STEEL	3		B		
9	790-33810-20	SLIDER, REEL	1		B		
10	789-33810-20	CAP, BODY	1		B		

\* Indicates the part is included in a kit or assembly and is not available individually. Q=Quan. used C=Interchangeability S=Stocking code: A=Fast moving B=Med. fast move C=Med. move D=Slow move E=N.L.A. F=Superseded or replaced by a new part.

## FIG.8 MARKS

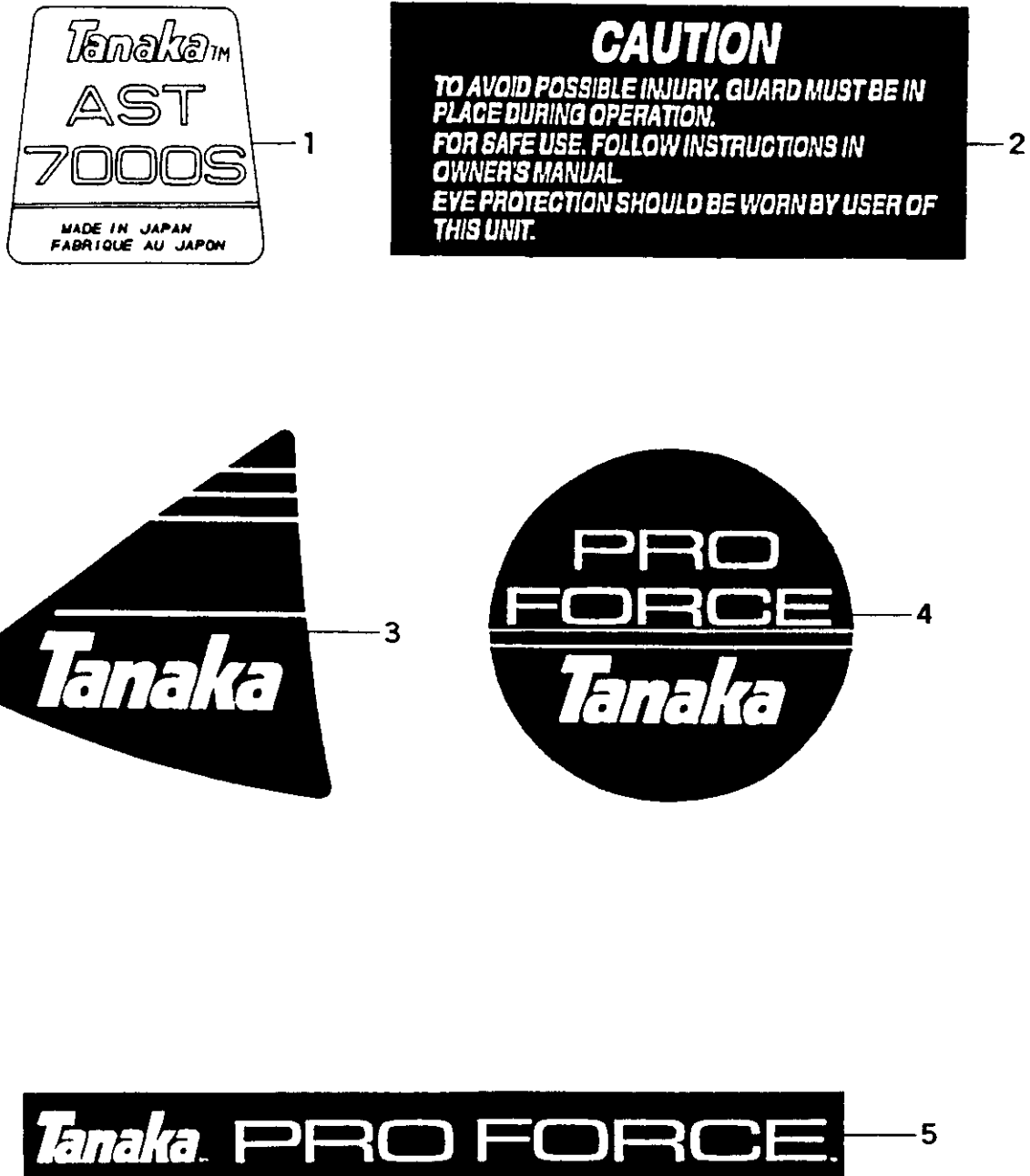
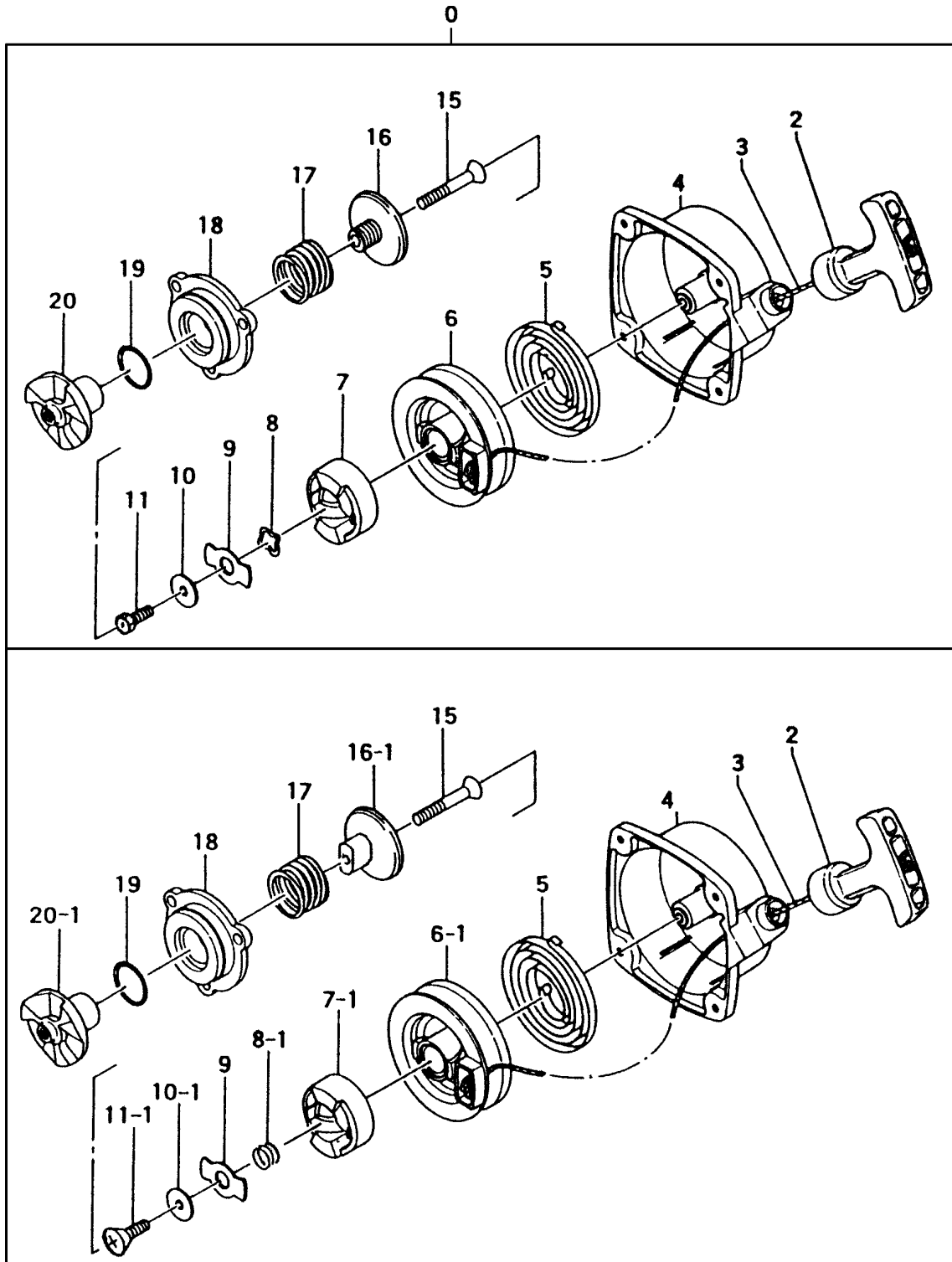


FIGURE 8

### AST-7000S PARTS LISTING

REF.	PART NO.	PART DESCRIPTION	Q	C	S	SERIAL NO	REMARKS
1	906-37637-20	DECAL	1		D		
2	919-37701-200	DECAL	1		D		
3	933-37301-200	DECAL, SYMBOL	1		D		
4	950-37503-200	DECAL, PRO-FORCE A	1		D		
5	951-31310-200	DECAL, PRO-FORCE B	1		D		



## OPTIONAL RECOIL STARTER

ITEM	PART NUMBER	DESCRIPTION	QTY	COMMENTS
0	7560634F900	RECOIL STARTER KIT	1	
2	78500940200	HANDLE,STARTER ROPE	1	
3	78300940200	ROPE,STARTER	1	
4	7720634F800	BODY,RECOIL STARTER	1	
4-1	7720634F810	BODY,RECOIL STARTER	1	
5	7800634F200	SPRING,RECOIL	1	
6	77400940200	PULLEY,STARTER	1	
6-1	7740636T200	PULLEY,STARTER	1	
7	7880634F200	PAWL,STARTER	1	
7-1	7880636T200	PAWL,STARTER	1	
8	8010634F200	WASHER,PULLEY	1	
8-1	8010636T200	SPRING,STARTER PAWL	1	
9	8370634F200	PLATE,FRCITION	1	
10	8220634F200	SHIM,STARTER PULLEY	1	
10-1	8220636T200	SHIM,STARTER PULLEY	1	
11	83905015200	BOLT,SET	1	
11-1	8390636T200	BOLT,SET	1	
15	99012050281	SCREW,FH 5X28	1	
16	7980634F200	PULLEY	1	
16-1	7980634F210	PULLEY	1	
17	7610634F210	SPRING	1	
18	7710634F201	HOLDER,PULLEY	1	
19	99967014000	O-RING	1	
20	7730634F201	PULLEY	1	
20-1	7730634F210	PULLEY	1	