



BOSCH

Tap Connection Piece

ASK 3/4 | 0 600 800 011

Table of Content

| | |
|--------------------------|---|
| Spare parts list..... | 2 |
| Illustration - Type..... | 3 |

Spare parts list

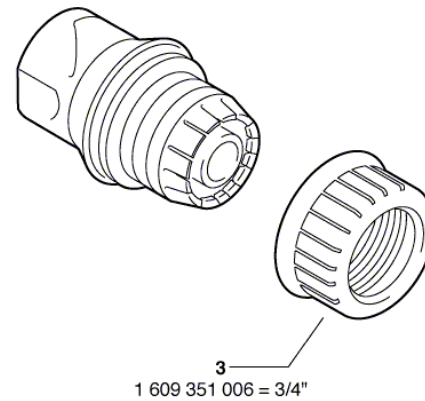
| Item | Part Number | Description | Illustration | Price | Quantity | Price Group |
|-------------|--------------------|--------------------|---------------------|--------------|-----------------|--------------------|
| 3 | 1 609 351 006 | Union Nut 3/4" | 1 | - | 1 | |

* Prices shown are suggested retail prices

Illustration - Type - E

Typ 0 600 802 011 = ASK 3/4

Stand } 97-05-21
Issue }



Änderungen vorbehalten
Modifications reserved
Modificacions reserves
Salvo modificaciones
Robert Bosch GmbH
Geschäftsbereich Elektrowerkzeuge
70745 Leinfelden-Echterdingen