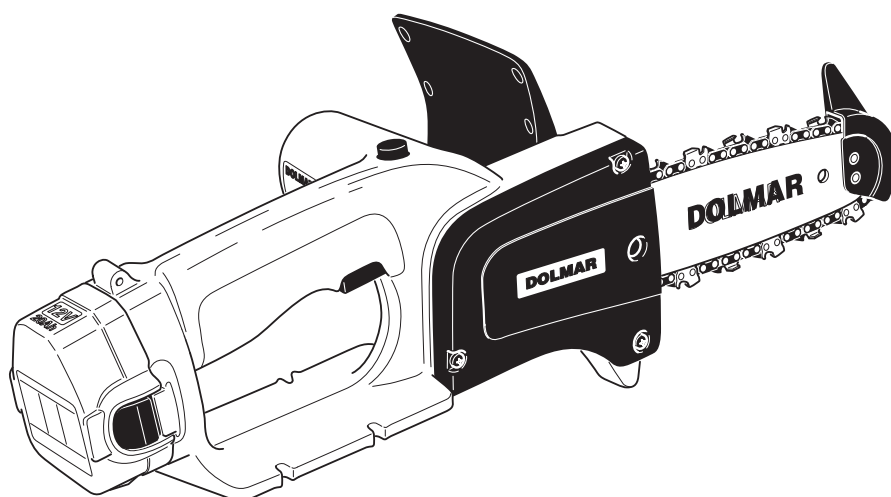


# Spare Parts List

2006-03



**AS-1212 LG**

IMPORTANT! - To assure product SAFETY and RELIABILITY, repairs, maintenance or adjustments should be performed by DOLMAR Service Centers, or other qualified service organisations. Always use DOLMAR replacement parts.

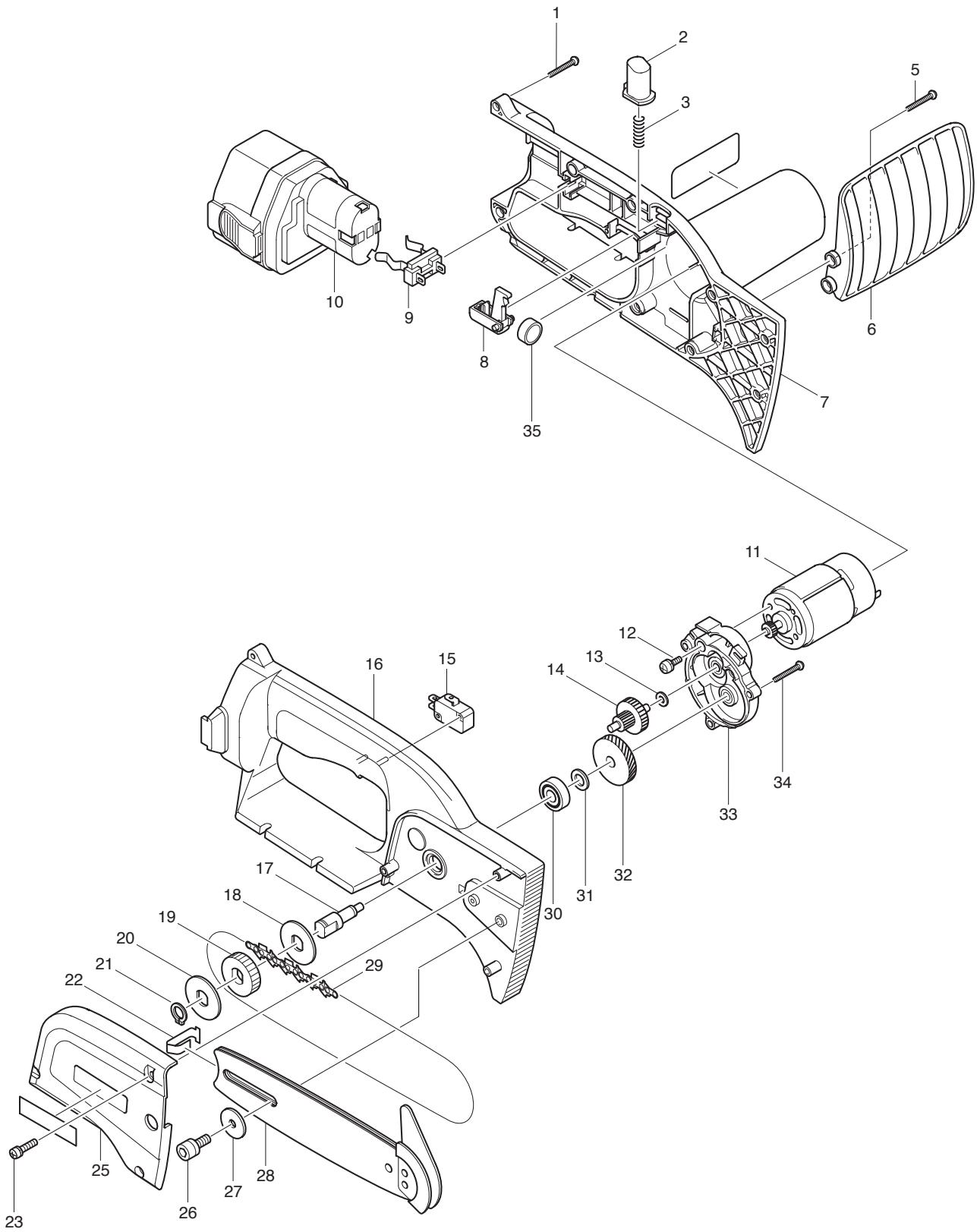
---

**DOLMAR**



A member of the *Makita* Group

995 700 270 (GB)





	Key to symbols
<b>⇒ 1999999</b> <b>2000000 ⇒</b> <b>2003.04 ⇒</b> <b>TI 2003/07</b> <b>Acc.</b> <b>=</b> <b>{</b> <b>m</b> <b>Corr.</b>	Production to serial number New part from serial number New part from Year / Month See Technical Information Year / No. Accessories (not included in the delivery inventory) No standard execution, may be used Contains item number Sold by the meter Error correction
	Specifications subject to change without notice