



BOSCH

High Pressure Cleaner

AQUATAK 10 | 3 600 H76 G80

Table of Content

Spare parts list.....	2
Illustration - Type.....	4

High Pressure Cleaner | AQUATAK 10 | 3 600 H76 G80

Spare parts list

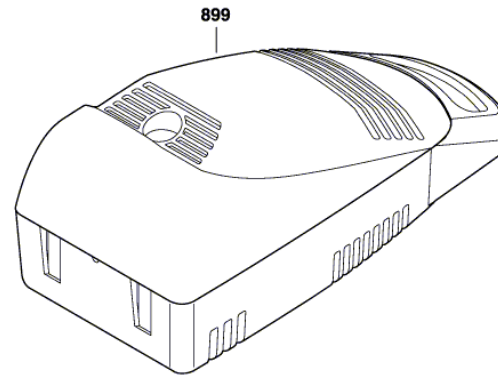
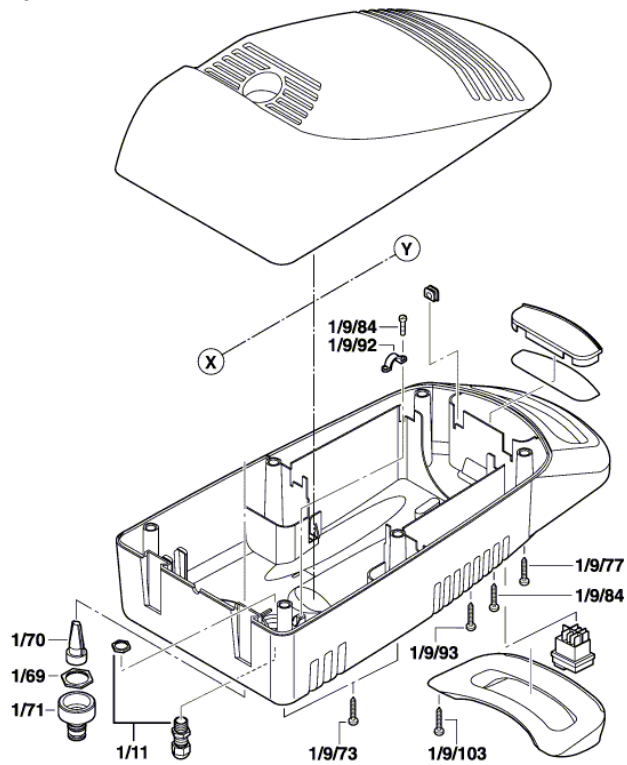
Item	Part Number	Description
1/11	F 016 F02 918	Cable Cleat
1/69	F 016 F03 087	Nut 3/4 FLANG.NYL
1/70	F 016 F02 905	Strainer
1/71	F 016 F03 359	Threaded Connection
1/9/103	F 016 F03 336	Screw
1/9/73	F 016 F02 898	Screw
1/9/77	F 016 F02 896	Screw
1/9/84	F 016 F03 404	Screw
1/9/92	F 016 F03 035	Clamping Piece
1/9/93	F 016 F03 335	Screw
899	0 600 876 G80	High Pressure Cleaner
1/10	F 016 F04 065	Ball Bearing
1/1	F 016 F04 073	Control Head
1/12	F 016 F04 062	End Shield
1/12/10	F 016 F04 063	O-Ring
1/12/14	F 016 F04 064	Screw
1/12/6	F 016 F04 061	Seal Ring
1/13	F 016 F04 052	Motor
1/13/3	F 016 F04 053	Bolt
1/13/4	F 016 F04 054	mat seal
1/13/5	F 016 F04 055	Bearing
1/1/44	F 016 F04 074	O-Ring
1/1/45	F 016 F04 075	Screw
1/1/46	F 016 F04 082	O-Ring
1/1/51	F 016 F04 076	Baffle
1/1/53	F 016 F04 077	O-Ring
1/1/57	F 016 F04 079	O-Ring
1/1/58	F 016 F04 080	O-Ring
1/16	F 016 F04 056	Parts Set
1/1/60	F 016 F04 081	Screw Cap
1/16/26	F 016 F04 057	Screw
1/16/34	F 016 F04 058	mat seal
1/16/35	F 016 F04 059	Screw
1/3	F 016 F04 067	Housing
1/3/31	F 016 F04 068	O-Ring

Spare parts list

Item	Part Number	Description
1/3/33	F 016 F04 069	Screw
1/3/39	F 016 F04 070	O-Ring
1/3/43	F 016 F04 071	O-Ring
1/3/8	F 016 F04 072	Valve
1/4	F 016 F04 060	Connector
1/7	F 016 F04 066	Housing
1/8	F 016 F04 083	Switch
1/8/1	F 016 F03 862	Hook
2/1	F 016 F03 148	Handle
2/1/2	F 016 F03 633	O-Ring 9,92x2,62 MM BLUE
2/1/3	F 016 F03 634	O-Ring 10,0x2,0 MM BLACK
2/5	F 016 F02 928	Container
2/6	F 016 F03 420	Jet Pipe
2/6/1	F 016 F03 330	O-Ring 7,6x2,62 NBR70

Illustration - Type - E

3 600 H76 G01
Stand } 10-04-01
Issue } **Fig. /Abb. 1**



Änderungen vorbehalten
Modifications reserved
Modificaciones reservées
Salvo modificaciones

Illustration - Type - E

3 600 H76 G01
 Stand | 32-04-04
 Issue | 12-10-23

Fig./Abb. 2

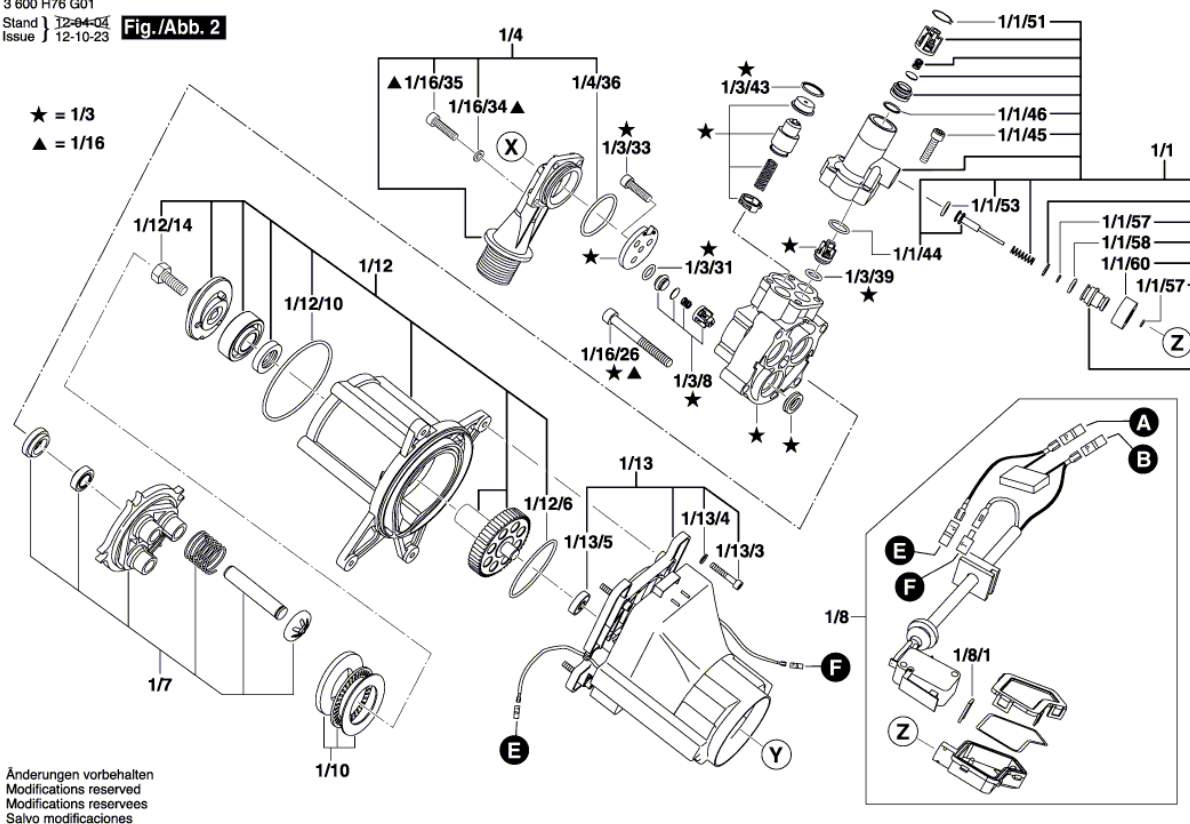
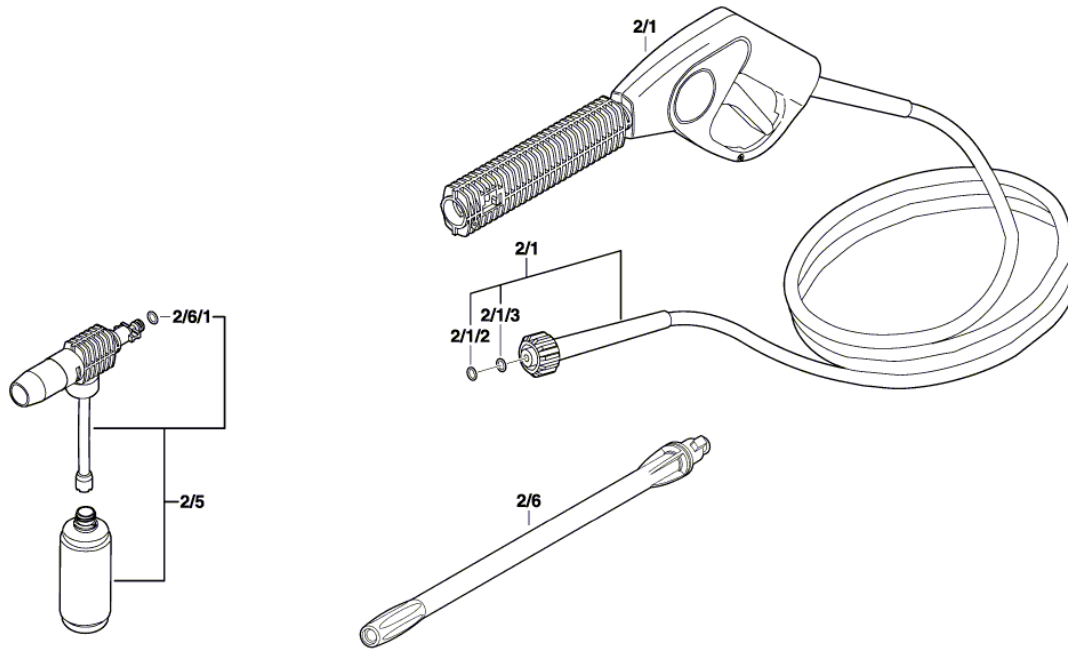


Illustration - Type - E

3 600 H76 G01
Stand } 10-04-01
Issue } **Fig./Abb. 3**



Änderungen vorbehalten
Modifications reserved
Modifications réservées
Salvo modificaciones