



BOSCH

Pore Hose

APS 50 | 0 600 800 550

Table of Content

Spare parts list.....	2
Illustration - Type.....	3

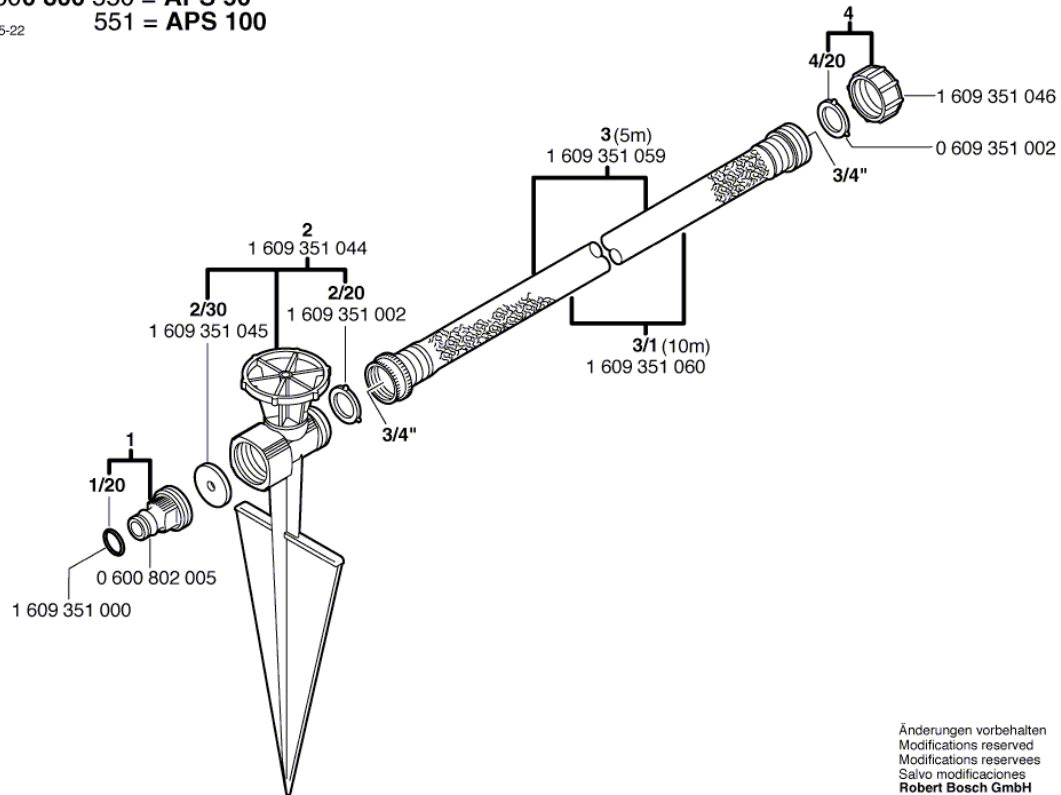
Spare parts list

Item	Part Number	Description	Illustration	Price	Quantity	Price Group
1	0 600 802 005	Connecting Piece 3/4" EXTERIOR THREADS	1	-	1	
1/20	1 609 351 000	O-Ring 11x2,5 MM	1	-	1	
2	1 609 351 044	Valve	1	-	1	
2/30	1 609 351 045	Gasket Ø4xØ24x3,5 MM	1	-	1	
3	1 609 351 059	Hose L= 5 M	1	-	1	
3/1	1 609 351 060	Hose L= 10 M	1	-	1	
4	1 609 351 046	Sealing cap	1	-	1	
4/20	1 609 351 002	Gasket Ø15xØ24x3=3/4"	1	-	1	

* Prices shown are suggested retail prices

Illustration - Type - E

Typ 0 600 800 550 = APS 50
 Stand } 97-05-22
 Issue } 551 = APS 100



Änderungen vorbehalten
 Modifications reserved
 Modificaciones reservadas
 Salvo modificaciones
 Robert Bosch GmbH
 Geschäftsbereich Elektrowerkzeuge
 70745 Leinfelden-Echterdingen