



BOSCH

Pn-Accu-Screwdriver

ANGLE EXACT ION 3-500 | 3 602 D94 618

Table of Content

Spare parts list.....	2
Illustration - Type.....	4

Pn-Accu-Screwdriver | ANGLE EXACT ION 3-500 | 3 602 D94 618

Spare parts list

Item	Part Number	Description	Illustration
10	3 601 099 004	Switch Slide	1
11	3 609 202 B07	Angle Flange	1
30	3 607 030 492	Planetary Gear Train	1
40	3 607 031 576	Assembly kit	1
40/110	3 600 224 053	Retaining ring	1
50	1 607 233 5JF	Electronic Module	1
52	1 607 233 516	Indicator Plate	1
53	1 607 502 627	Microswitch	1
54	1 607 502 626	Light-Emitting-Diode	1
55	1 609 280 477	Compression Spring	1
62	3 601 923 030	Pusher	1
80	2 603 490 018	Torx Oval-Head Screw 3x18	1
91	1 607 A35 0M0	Battery Pack GBA 18V 4.0Ah	1
91	1 607 A35 0MA	Battery Pack GBA 18V 2.0Ah	1
100	3 608 872 557	Protective Cap 25,4x25,4 MM LONG	1
101	3 606 445 043	Clutch Element	1
102	3 603 124 023	Output Shaft	1
109	3 604 619 020	Compression Spring BLUE	1
110	3 607 020 165	Angle Screwdriver Head 3/8"	1
115	3 601 023 011	Sealing plate	1
116	3 600 134 014	Setting Ring	1
117	1 600 101 023	Plain Washer 0,5 MM THICK	1
119	3 600 190 036	Support Disc	1
120	3 603 344 047	Catch Disk	1
127	1 903 230 006	Ball DIN 5401-3,5 MM-III-ST	1
128	1 903 230 008	Ball 4,5 MM III DIN 5401-ST	1
140	2 916 080 012	Locking Washer DIN 6799-9-FSt	1
653	2 607 225 321	Charger EU 230/14,4-18V, 30 40 S	1
653	2 607 225 923	Charger GB 230/10,8-18V, 30 42 S	1
657	3 607 950 027	Screwdriver	1
658	3 601 376 007	Single-Head Eng. Wrench	1
659	3 601 923 017	Suspension Loop	1
801	3 607 031 756	Housing Assembly	1
802	3 607 031 827	Motor assembly	1
803	3 607 031 758	Sleeve assembly	1

Spare parts list

Item	Part Number	Description			Illustration
804	3 607 031 759	Led-Holder			1
805	3 607 031 922	Electronics Module			1
806	3 607 031 923	drive electronics			1
807	3 607 031 762	Switching Element			1
809	3 607 031 884	Switch			1
810	3 607 031 877	Set Of Plates			1
811	1 600 A00 7U6	Setting Ring			1
820	3 607 031 931	usb stick			1
890	3 600 106 027	Parts Set	5 PCE., BLACK		1
890	3 600 106 028	Parts Set	5 PCE., RED		1
890	3 600 106 029	Parts Set	5 PCE., LIGHT BLUE		1
890	3 600 106 030	Parts Set	5 PCE., LIGHT GREEN		1
890	3 600 106 031	Parts Set	5 PCE., ORANGE		1
890	3 600 106 032	Parts Set	5 PCE., GREY		1
890	3 600 106 033	Parts Set	5 PCE., WHITE		1
899	1 610 101 621	Shim	0,1 MM	THICK	1

Illustration - Type - E

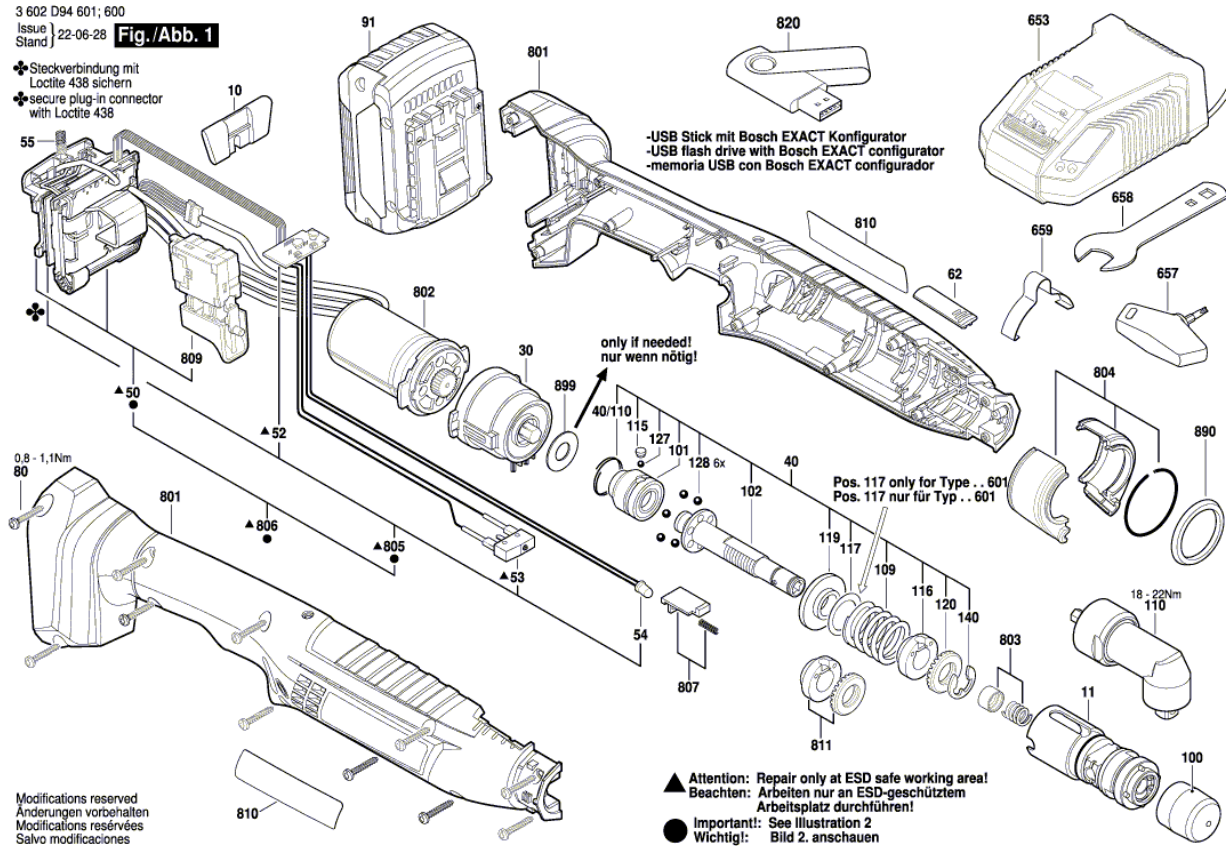


Illustration - Type - E

3 602 D94 601
Issue |
Stand |

18-08-13 **Fig./Abb. 2**

