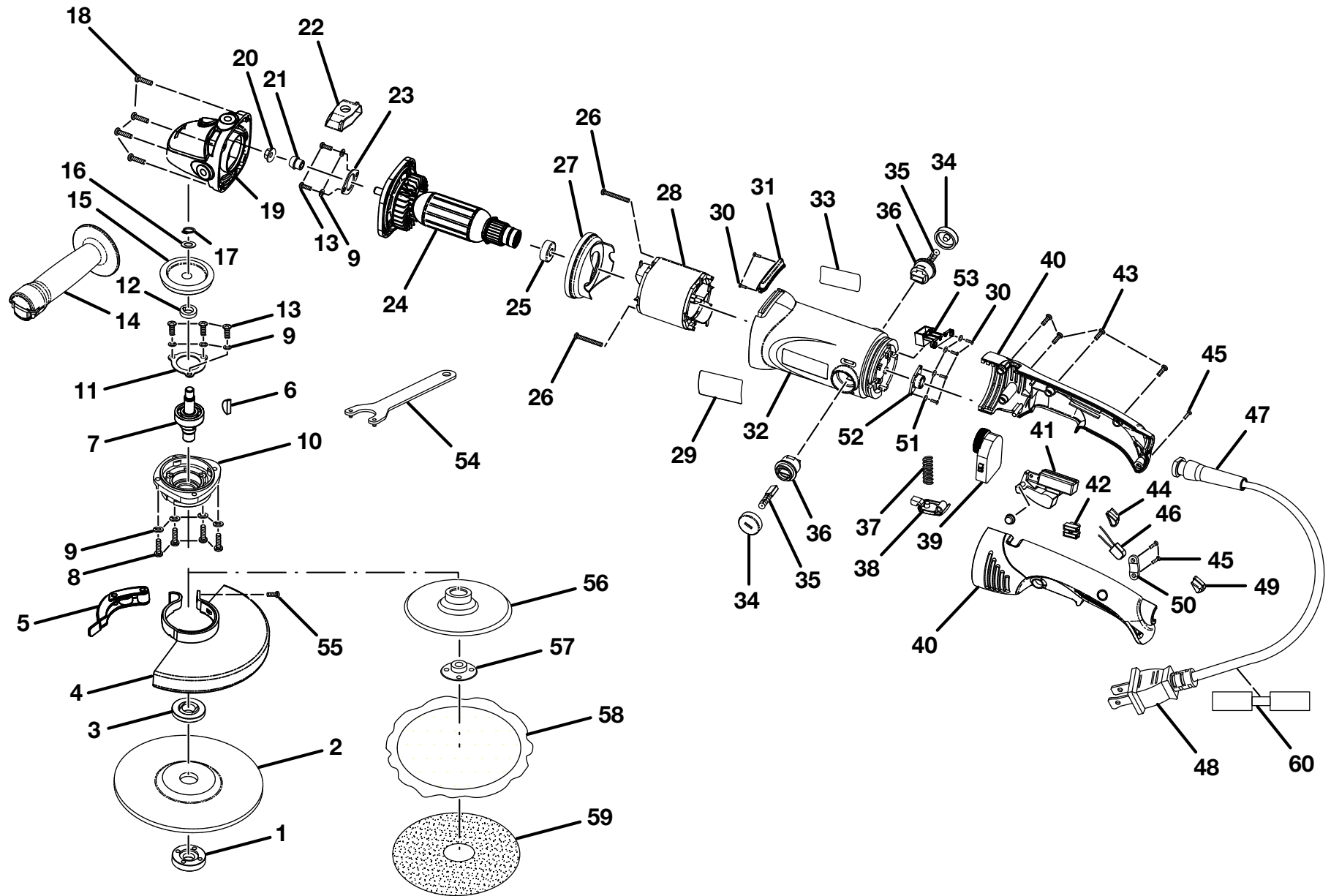


RYOBI 7 in. GRINDER/SANDER/POLISHER – MODEL NUMBER AG700



RYOBI 7 in. GRINDER/SANDER/POLISHER – MODEL NUMBER AG700

The model number will be found on a plate attached to the motor housing. Always mention the model number in all correspondence regarding your **GRINDER/SANDER/POLISHER** or when ordering parts.

PARTS LIST

KEY NO.	PART NUMBER	DESCRIPTION	QTY	KEY NO.	PART NUMBER	DESCRIPTION	QTY
1	039025002001	CLAMP NUT.....	1	18	039025002020	* SCREW (M5 x 28 mm).....	4
2	039025002002	GRINDING WHEEL.....	1	19	039025002071	GEAR CASE w/BEARING ASSEMBLY	1
3	039025002003	DISC FLANGE	1	20	039025002024	* HEX NUT (M8)	1
4	039025002004	GUARD	1	21	039025002025	PINION	1
5	039025002069	CLAMP ASSEMBLY	1	22	039025002026	VENT GUIDE	1
6	039025002005	KEY	1	23	039025002027	BEARING RETAINER	1
7	039025002070	OUTPUT SHAFT w/BEARING ASSEMBLY	1	24	039025002072	ARMATURE ASSEMBLY.....	1
8	039025002007	* SCREW (M5 x 14 mm).....	4	25	039025002033	BEARING SEAT	1
9	039025002008	WASHER.....	9	26	039025002034	* SCREW (M5 X 75 mm)	2
10	039025002009	GEAR CASE COVER.....	1	27	039025002035	FAN BAFFLE.....	1
11	039025002011	BEARING CLAMP.....	1	28	039025002036	FIELD	1
12	039025002012	WASHER.....	1	29	039025002037	LOGO LABEL.....	1
13	039025002013	* SCREW (M5 x 10 mm).....	5	30	039025002038	* SCREW (M3 x 10 mm)	6
14	039025002014	SIDE HANDLE	1	31	039025002039	PAD	1
15	039025002015	GEAR	1	32	039025002040	MOTOR HOUSING	1
16	039025002016	WASHER.....	1	33	039025002041	DATA LABEL	1
17	039025002017	RETAINING RING	1	34	039025002042	BRUSH CAP	2

* STANDARD HARDWARE ITEM – MAY BE PURCHASED LOCALLY

RYOBI 7 in. GRINDER/SANDER/POLISHER – MODEL NUMBER AG700

The model number will be found on a plate attached to the motor housing. Always mention the model number in all correspondence regarding your **GRINDER/SANDER/POLISHER** or when ordering parts.

PARTS LIST

KEY NO.	PART NUMBER	DESCRIPTION	QTY	KEY NO.	PART NUMBER	DESCRIPTION	QTY
35	039025002043	BRUSH.....	2	50	039025002058	CORD CLAMP	1
36	039025002044	BRUSH HOLDER.....	2	51	039025002060	WASHER.....	4
37	039025005045	SPRING.....	1	52	039025002061	TERMINAL CLAMP	1
38	039025002046	HANDLE LOCK BUTTON	1	53	039025002062	MAGNETIC INDUCTOR	1
39	039025002047	VARIABLE SPEED DIAL.....	1	54	039025002063	WRENCH	1
40	039025002073	HANDLE ASSEMBLY.....	1	55	039025002064	* SCREW (M6 x 18 mm).....	1
41	039025002049	SWITCH w/TRIGGER	1	56	039025002065	RUBBER DISC.....	1
42	039025002050	TERMINAL BLOCK.....	2	57	039025002066	SPANNER NUT	1
43	039025002051	* SCREW (M4.2 x 16 mm)	4	58	039025002067	WOOL BONNET.....	1
44	039025002052	RIGHT LIGHT CAP	1	59	039025002068	SANDING DISC	1
45	039025002053	* SCREW (M4.2 x 14 mm)	3	60	039025002081	CORD LABEL.....	1
46	039025002054	POWER LIGHT	1	61	039025002086	TOOL BAG (NOT SHOWN)	1
47	039025002055	BEND RELIEF.....	1		987000295	OPERATOR'S MANUAL (039025002082)	
48	039025002056	POWER CORD	1		06-19-08		
49	039025002057	LEFT LIGHT CAP.....	1		(REV:00)		

* STANDARD HARDWARE ITEM – MAY BE PURCHASED LOCALLY