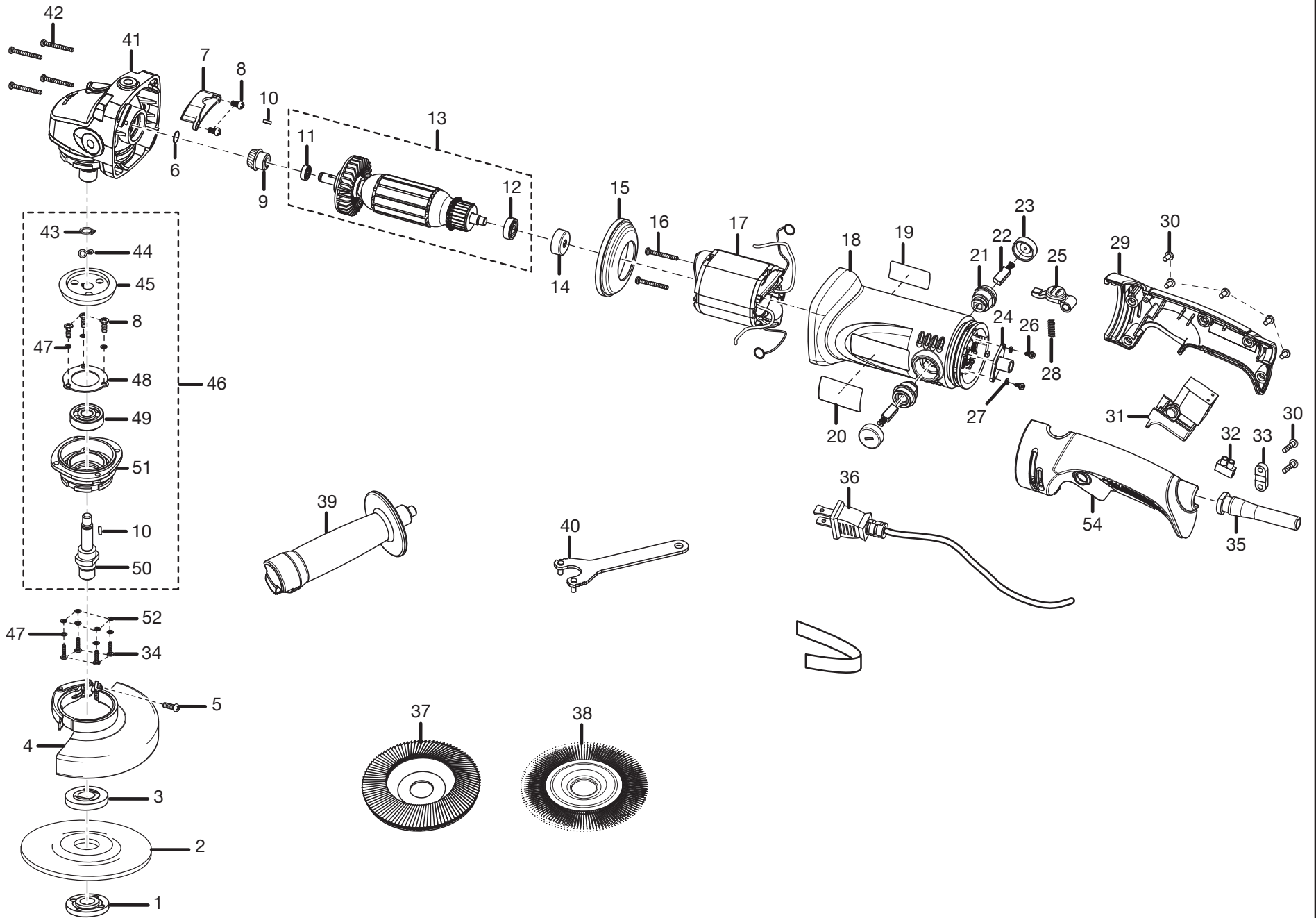


# RYOBI ANGLE GRINDER - MODEL NUMBER AG452



## RYOBI ANGLE GRINDER – MODEL NUMBER AG452

The model number will be found on a plate attached to the motor housing. Always mention the model number in all correspondence regarding your **ANGLE GRINDER** or when ordering repair parts.

### PARTS LIST

KEY NO.	PART NUMBER	DESCRIPTION	QTY	KEY NO.	PART NUMBER	DESCRIPTION	QTY
1	039028001001	CLAMP NUT (5/8-11) .....	1	30	039028001043	SCREW (M4.2 X 16 mm) .....	7
2	039028001051	GRINDING WHEEL.....	1	31	039028001045	SWITCH.....	1
3	039029001042	DISC FLANGE (5/8-11).....	1	32	039028001047	TERMINAL BLOCK.....	1
4	039028001003	WHEEL GUARD.....	1	33	039028001048	CORD CLAMP.....	1
5	039028001004	SCREW (M5 X 12 mm) .....	1	34	039028001005	SCREW (M4 X 14 mm) .....	4
6	039028001024	O-RING .....	1	35	039028001049	BEND RELIEF .....	1
7	039028001022	VENT GUIDE .....	1	36	039028001050	POWER CORD .....	1
8	039028001013	SCREW (M4 X 10 mm) .....	5	37	039028001054	ABRASIVE WHEEL .....	1
9	039028001025	PINION .....	1	38	039028001053	WIRE BRUSH .....	1
10	039028001009	KEY.....	2	39	039028001055	AUXILLARY HANDLE .....	1
11	039028001026	BALL BEARING (608ZZ).....	1	40	039028001052	WRENCH.....	1
12	039028001028	BALL BEARING (607ZZ).....	1	41	039028001073	GEAR CASE ASSEMBLY.....	1
13	039028001074	ARMATURE ASSEMBLY.....	1	42	039028001023	SCREW (M4.2 X 25 mm) .....	4
14	039028001029	BEARING SLEEVE.....	1	43	039028001016	RETAINING RING .....	1
15	039028001030	FAN BAFFLE.....	1	44	039028001015	WAVY WASHER .....	1
16	039028001031	SCREW (M4.2 X 65 mm) .....	2	45	039028001014	GEAR.....	1
17	039028001075	FIELD ASSEMBLY .....	1	46	039028001072	GEAR CASE COVER ASSEMBLY .....	1
18	039028001034	MOTOR HOUSING .....	1	47	039028001006	SPRING WASHER.....	7
19	039028001057	DATA LABEL.....	1	48	039028001012	BEARING PLATE .....	1
20	039028001056	LOGO LABEL .....	1	49	039028001011	BALL BEARING (62002RS) .....	1
21	039028001035	BRUSH HOLDER .....	2	50	039028001008	OUTPUT SHAFT .....	1
22	039028001036	BRUSH ASSEMBLY .....	2	51	039028001010	GEAR CASE COVER .....	1
23	039028001037	BRUSH CAP.....	2	52	039028001007	WASHER .....	4
24	039028001038	LEAD CLAMP .....	1	53	039028001046	LEFT HANDLE.....	1
25	039028001039	ANGLE ADJUSTMENT BUTTON .....	1	54	039028001071	CORD LABEL .....	1
26	039028001042	SCREW (M3 X 10 mm) .....	2	55	039028001063	CARRYING CASE (NOT SHOWN).....	1
27	039028001041	WAVY WASHER .....	2		983000998	OPERATOR'S MANUAL (039028001065)	
28	039028001040	SPRING .....	1		9-26-08		
29	039028001044	RIGHT HANDLE .....	1		(REV:01)		

**WARNING:** Improper repair of a double insulated tool can result in damage to the double insulation system possibly causing electrical shock or electrocution. Any repairs requiring disassembly of your tool requires safety testing and should only be performed by a Ryobi Authorized Service Center. For the service center nearest you call 1-800-525-2579.