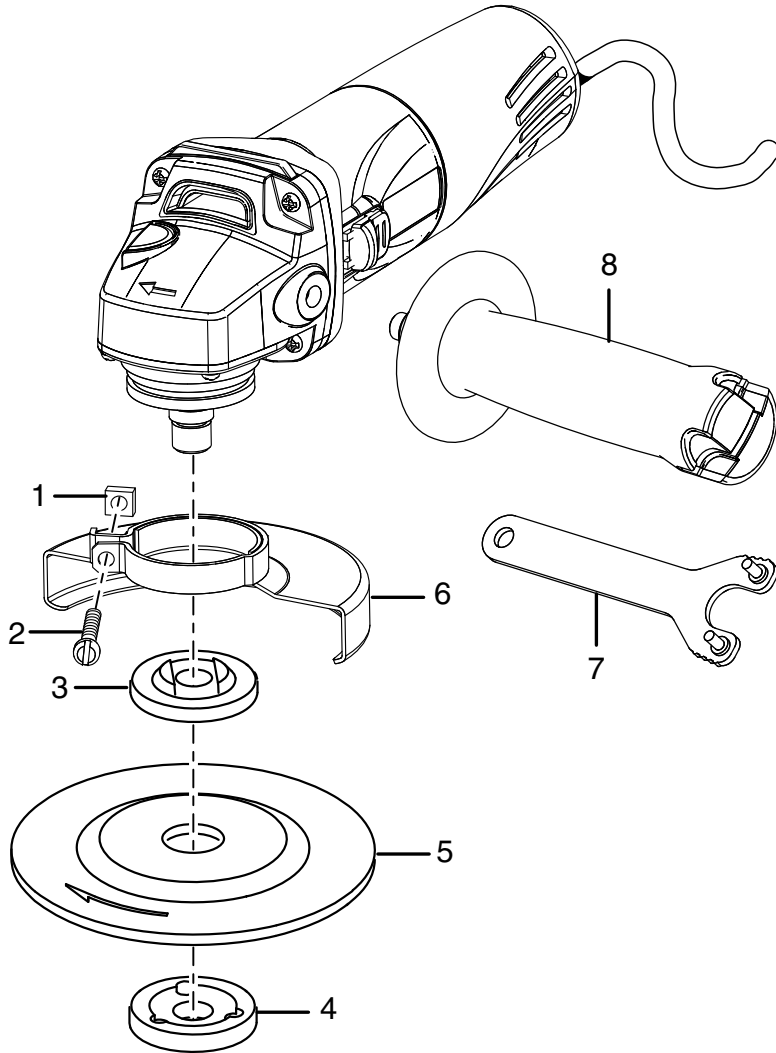


RYOBI ANGLE GRINDER – MODEL NUMBER AG402

The model number will be found on a plate attached to the motor housing. Always mention the model number in all correspondence regarding your **ANGLE GRINDER** or when ordering repair parts.



PARTS LIST

KEY NO.	PART NUMBER	DESCRIPTION	QTY
1	039029001031	NUT (M5).....	1
2	039029001002	SCREW (M5 X 16 mm)	1
3	039029001042	DISC FLANGE.....	1
4	039028001001	CLAMP NUT (5/8-11)	1
5	039028001051	GRINDING WHEEL.....	1
6	039029001001	WHEEL GUARD.....	1
7	039028001052	WRENCH	1
8	039028001055	AUXILLARY HANDLE.....	1
	983000997	OPERATOR'S MANUAL(039029001037)	
	7-28-06	(REV:00)	

WARNING: Improper repair of a double insulated tool can result in damage to the double insulation system possibly causing electrical shock or electrocution. Any repairs requiring disassembly of your tool requires safety testing and should only be performed by a Ryobi Authorized Service Center. For the service center nearest you call 1-800-525-2579.

* STANDARD HARDWARE ITEM – MAY BE PURCHASED LOCALLY