

Angle Grinder - 3 601 G90 210 - AG40-85PD

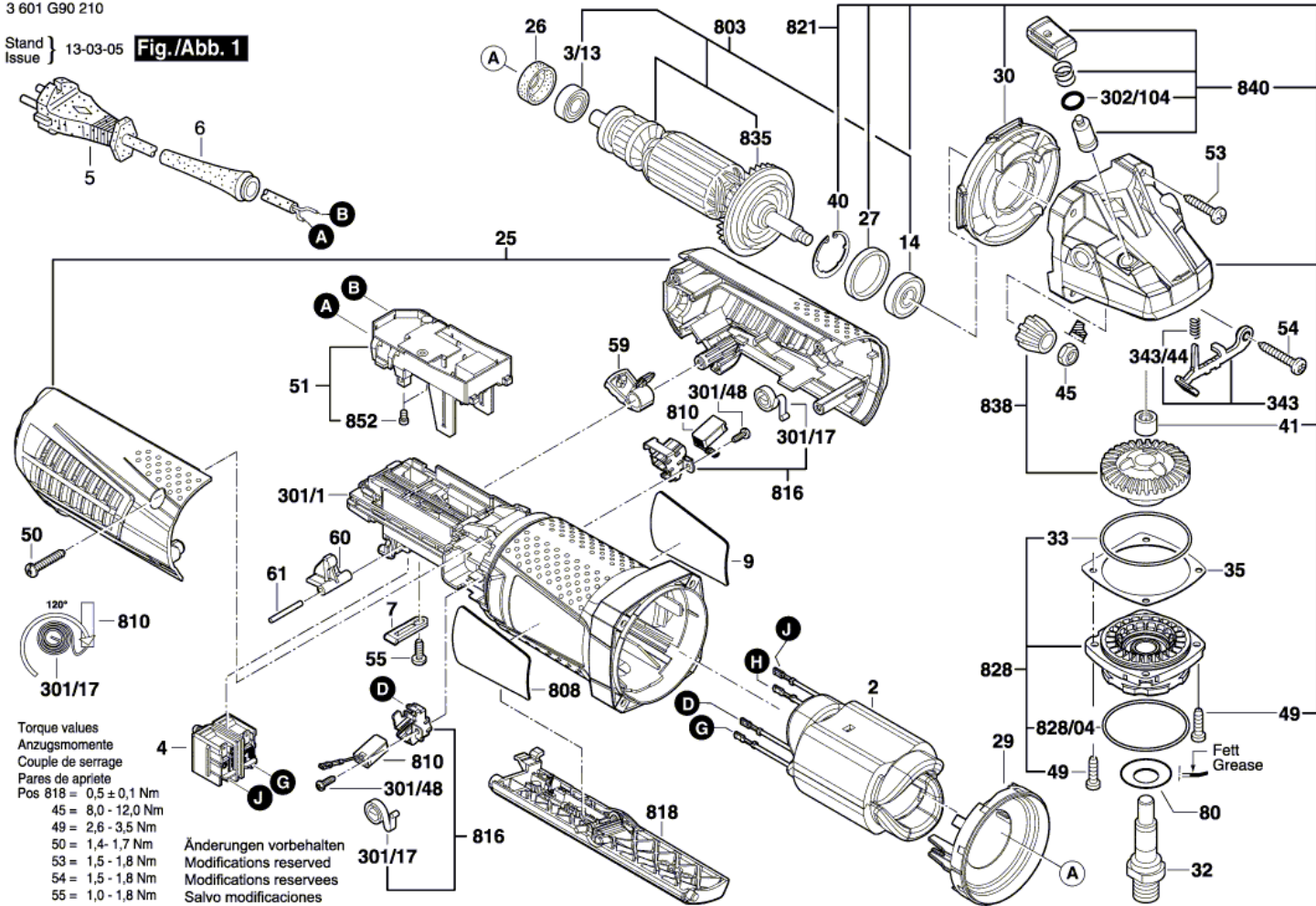
www.powertools-aftersaleservice.com

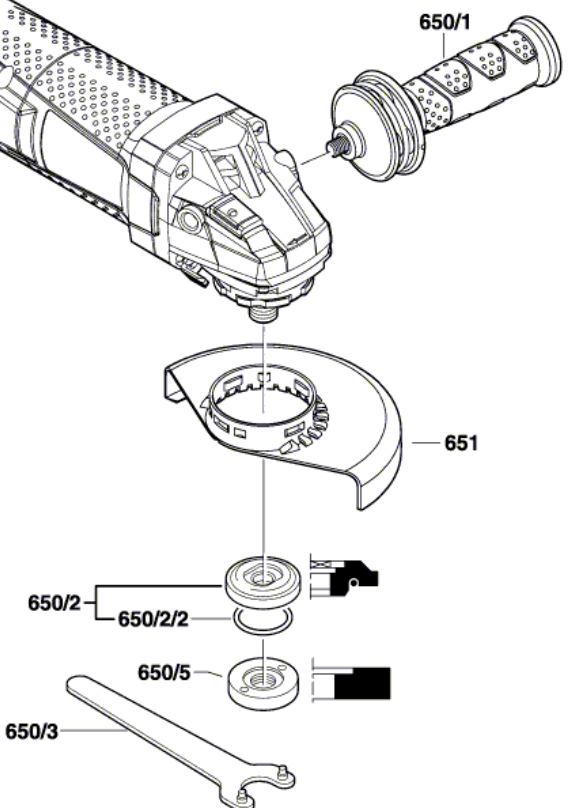


BOSCH

Item	Part Number	Description	Illustration	Price	Quantity	Price Group
2	1 604 220 514	Field 120V	1	-,-	1	34
3/13	2 600 905 032	Ball Bearing 7x19x6	1	-,-	1	17
4	1 607 200 256	Switch	1	-,-	1	24
5	1 604 460 336	Power supply cord USA/CAN/SMA 2,68m 2 x 1,31mm SJ 16/2	1	-,-	1	26
6	1 600 703 043	Grommet	1	-,-	1	13
7	1 601 302 017	Fastening Clamp	1	-,-	1	10
9	1 601 118 L15	Manufacturer's nameplate AG40-85PD	1	-,-	1	13
14	1 600 905 032	groove ball bearing 8x22x7	1	-,-	1	18
25	1 605 108 29A	Housing Section	1	-,-	1	21
26	1 600 502 023	Intermediate Ring	1	-,-	1	12
27	1 600 206 025	Rubber Ring	1	-,-	1	12
29	1 600 591 047	Air-Deflector Ring	1	-,-	1	12
30	1 600 591 048	Air Distributor	1	-,-	1	14
32	1 603 523 122	Grinding Spindle 5/8"	1	-,-	1	33
33	1 600 210 035	O-Ring 46,0x1,1 MM	1	-,-	1	11
35	1 600 136 013	Shim 0,1 MM THICK	1	-,-	1	13
35	1 600 136 014	Shim 0,2 MM THICK	1	-,-	1	13
35	1 600 136 015	Shim 0,3 MM THICK	1	-,-	1	13
35	1 600 136 020	Shim 0,15 MM THICK	1	-,-	1	13
40	1 600 119 011	Retaining clip	1	-,-	1	11
41	1 600 200 029	Plain bearing	1	-,-	1	14
45	1 603 300 016	Hex Nut M7, SW10	1	-,-	1	11
49	2 914 491 410	Thread-forming tap. Screw M4x16	1	-,-	4	10
50	1 603 435 078	Torx Oval-Head Screw	1	-,-	1	10
51	1 607 328 077	Switch Holder	1	-,-	1	22
53	1 603 435 078	Torx Oval-Head Screw	1	-,-	3	10
54	1 603 414 026	Torx Oval-Head Screw 4x30	1	-,-	1	10
55	2 603 490 021	Torx Oval-Head Screw 4x12	1	-,-	1	10
59	1 600 591 054	Plug	1	-,-	1	10
60	1 602 026 095	Reverse-Transfer Lever	1	-,-	1	10
61	2 917 890 086	Straight Pin	1	-,-	1	10
80	3 600 150 021	Sealing disk	1	-,-	1	15
301/1	1 605 108 293	Motor Housing	1	-,-	1	25

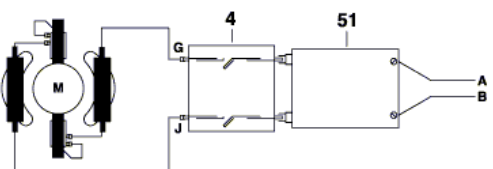
Item	Part Number	Description	Illustration	Price	Quantity	Price Group
301/17	1 604 652 021	Spiral Spring	1	-,-	2	10
301/48	1 613 435 034	Lens Head Screw 3x10 ST	1	-,-	2	10
302/104	1 600 210 044	O-Ring 4,5x1,0 MM BLUE	1	-,-	1	10
343	1 607 000 742	Catch Lever	1	-,-	1	20
343/44	1 604 611 042	Compression Spring	1	-,-	1	11
650/1	1 602 025 052	Auxiliary Handle M10 ANTI-VIBRATION	2	-,-	1	31
650/2	1 605 703 140	Clamping-Flange	2	-,-	1	21
650/2/2	1 600 210 253	O-Ring	2	-,-	1	12
650/3	1 607 950 052	Pin-Type Face-Wrench	2	-,-	1	15
650/5	3 603 340 503	Round Nut 5/8"	2	-,-	1	28
651	1 605 510 377	Protective Cover Ø115 MM	2	-,-	1	28
803	1 607 000 V58	Armature 110V	1	-,-	1	40
808	1 601 118 L33	Nameplate	1	-,-	1	13
810	1 607 000 V37	Carbon-Brush Set	1	-,-	1	26
816	1 607 000 V43	Brush Holder	1	-,-	2	15
818	1 607 000 505	Switch-Pawl	1	-,-	1	22
821	1 607 000 V39	Gear Housing	1	-,-	1	33
828	1 607 000 448	Bearing Flange	1	-,-	1	25
828/04	3 600 210 109	O-Ring 47,0x1,5 MM	1	-,-	1	12
835	1 606 610 132	Fan	1	-,-	1	12
838	1 607 000 V44	Set Of Gearwheels	1	-,-	1	31
840	1 607 000 V41	Push-Button	1	-,-	1	16
852	1 607 000 V42	Pan head screw	1	-,-	1	10





3 601 G90 210

Stand } 13-03-05 **Fig./Abb. 2**
Issue }



Änderungen vorbehalten
Modifications reserved
Modificacions reserves
Salvo modificaciones

Information subject to change without further notice.