

Angle Grinder - 3 601 G9A 210 - AG40-11PD

www.powertools-aftersaleservice.com



BOSCH

Item	Part Number	Description	Illustration	Price	Quantity	Price Group
	2 1 604 220 476	Field 127V		1	-,-	1 33
3/13	2 600 905 032	Deep-Groove Ball Bearing 7x19x6		1	-,-	1 17
	4 1 607 200 256	Switch		1	-,-	1 24
	5 1 604 460 336	Power supply cord USA/CAN/SMA 2,68m 2 x 1,31mm SJ 16/2		1	-,-	1 26
	6 1 600 703 043	Grommet		1	-,-	1 13
	7 1 601 302 017	Fastening Clamp		1	-,-	1 10
	9 1 601 118 K97	Manufacturer's nameplate AG40-11PD		1	-,-	1 13
14	2 600 905 032	Deep-Groove Ball Bearing 7x19x6		1	-,-	1 17
25	1 605 108 29A	Housing Section		1	-,-	1 22
27	1 600 206 025	Rubber Ring		1	-,-	1 12
29	1 600 591 047	Air-Deflector Ring		1	-,-	1 12
30	1 600 591 048	Air Distributor		1	-,-	1 14
32	1 603 523 122	Grinding Spindle 5/8"		1	-,-	1 33
33	1 600 210 035	O-Ring 46,0x1,1 MM		1	-,-	1 11
35	1 600 136 013	Shim 0,1 MM THICK		1	-,-	1 13
35	1 600 136 014	Shim 0,2 MM THICK		1	-,-	1 13
35	1 600 136 015	Shim 0,3 MM THICK		1	-,-	1 13
35	1 600 136 020	Shim 0,15 MM THICK		1	-,-	1 13
40	1 600 119 011	Spring retaining ring		1	-,-	1 11
41	1 600 200 029	Plain bearing		1	-,-	1 14
45	1 603 300 016	Hex Nut M7, SW10		1	-,-	1 11
49	2 914 491 410	Thread-forming tap. Screw M4x16		1	-,-	4 10
50	1 603 435 078	Torx Oval-Head Screw		1	-,-	1 10
53	1 603 435 078	Torx Oval-Head Screw		1	-,-	3 10
54	1 603 414 026	Torx Oval-Head Screw 4x30		1	-,-	1 10
55	2 603 490 021	Torx Oval-Head Screw 4x12		1	-,-	3 10
59	1 600 591 054	Plug		1	-,-	1 10
60	1 602 026 095	Reverse-Transfer Lever		1	-,-	1 10
61	2 917 890 086	Straight Pin		1	-,-	1 10
80	3 600 150 021	Sealing disk		1	-,-	1 13
301/1	1 605 108 293	Motor Housing		1	-,-	1 25
301/17	1 604 652 021	Spiral Spring		1	-,-	2 10
301/48	1 613 435 034	Lens Head Screw 3x10 ST		1	-,-	2 10

Item	Part Number	Description	Illustration	Price	Quantity	Price Group
302/104	1 600 210 044	O-Ring 4,5x1,0 MM BLUE	1	-,-	1	10
343	1 607 000 742	Catch Lever	1	-,-	1	20
343/44	1 604 611 042	Compression Spring	1	-,-	1	10
650/1	1 602 025 052	Auxiliary Handle M10 ANTI-VIBRATION	2	-,-	1	31
650/2	1 605 703 140	Clamping-Flange	2	-,-	1	21
650/3	1 607 950 052	Pin-Type Face-Wrench	2	-,-	1	15
650/5	3 603 340 503	Round Nut 5/8"	2	-,-	1	28
650/2/2	1 600 210 253	O-Ring	2	-,-	1	12
651	1 605 510 377	Protective Cover Ø115 MM	2	-,-	1	28
803	1 607 000 V34	Armature With Fan 110V	1	-,-	1	42
808	1 601 11A 17L	Nameplate	1	-,-	1	13
810	1 607 000 V37	Carbon-Brush Set	1	-,-	1	26
813	1 607 000 V38	Deep-Groove Ball Bearing	1	-,-	1	20
816	1 607 000 V43	Brush Holder	1	-,-	2	15
818	1 607 000 505	Switch-Pawl	1	-,-	1	22
821	1 607 000 V39	Gear Housing	1	-,-	1	34
828	1 607 000 448	Bearing Flange	1	-,-	1	26
828/04	3 600 210 109	O-Ring 47,0x1,5 MM	1	-,-	1	11
835	1 606 610 132	Fan	1	-,-	1	12
838	1 607 000 V44	Set Of Gearwheels	1	-,-	1	31
840	1 607 000 V41	Push-Button	1	-,-	1	16
851	1 607 233 474	Speed governor	1	-,-	1	37
852	1 607 000 V42	Pan head screw	1	-,-	1	10

Illustration - Type E

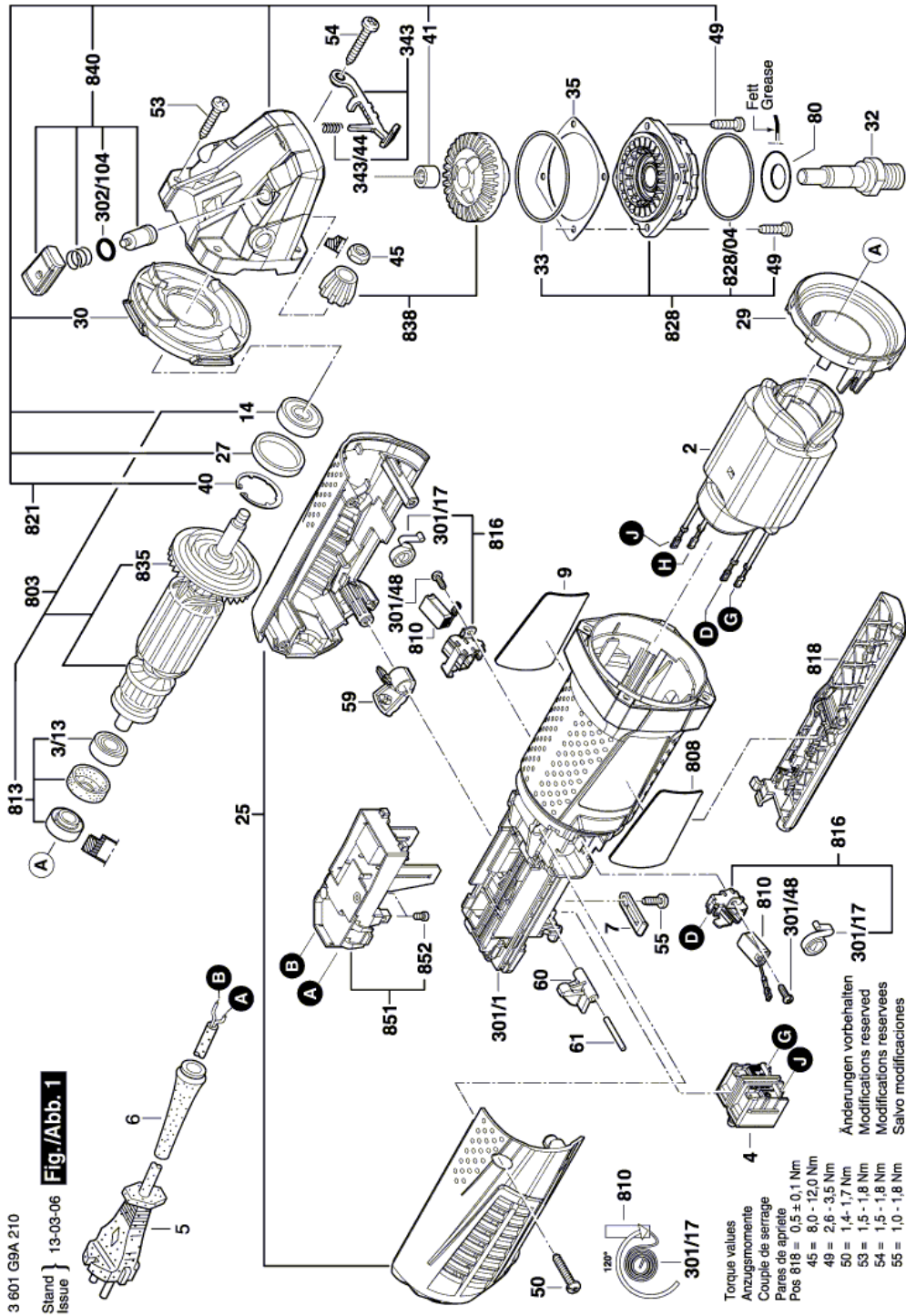
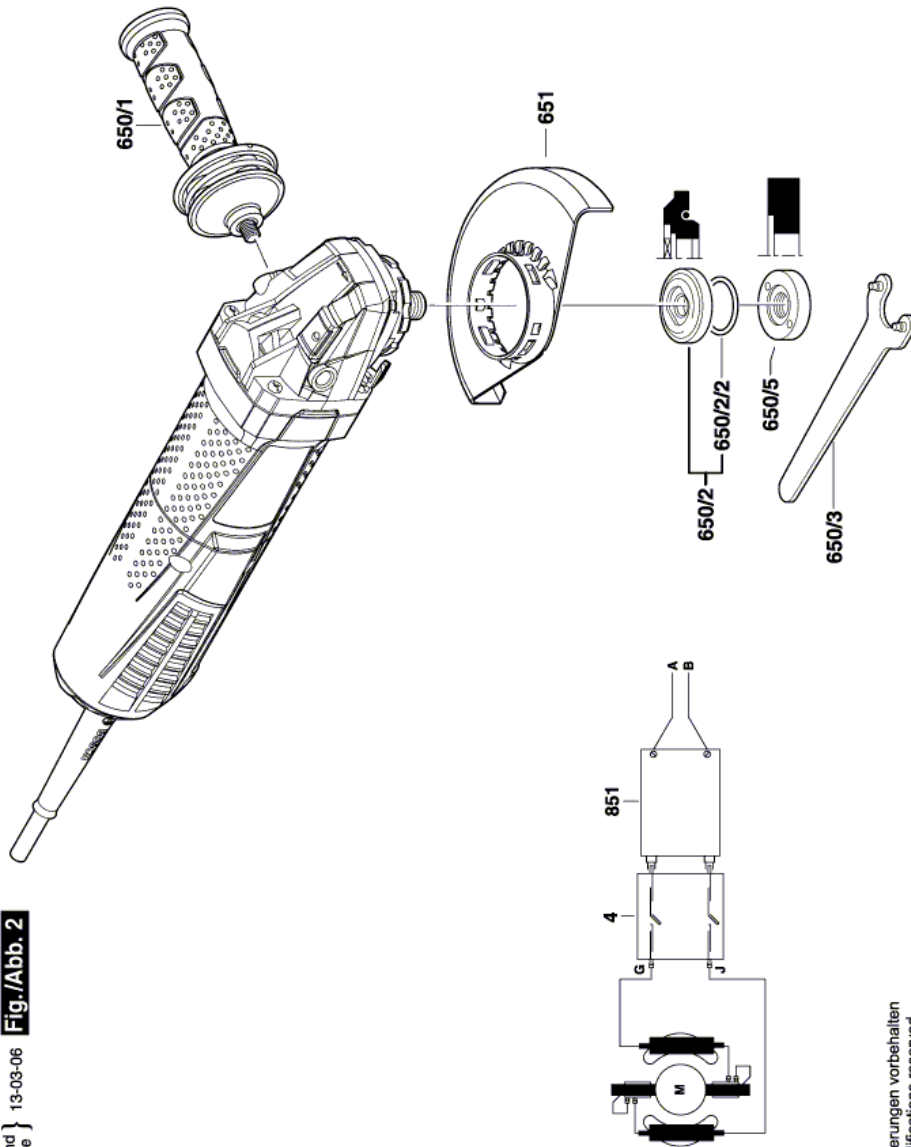


Illustration - Type E



3 601 G9A 210

Stand } 13-03-06 **Fig./Abb. 2**
Issue }

Änderungen vorbehalten
Modifications reserved
Modificaciones reservadas
Salvo modificaciones

Information subject to change without further notice.