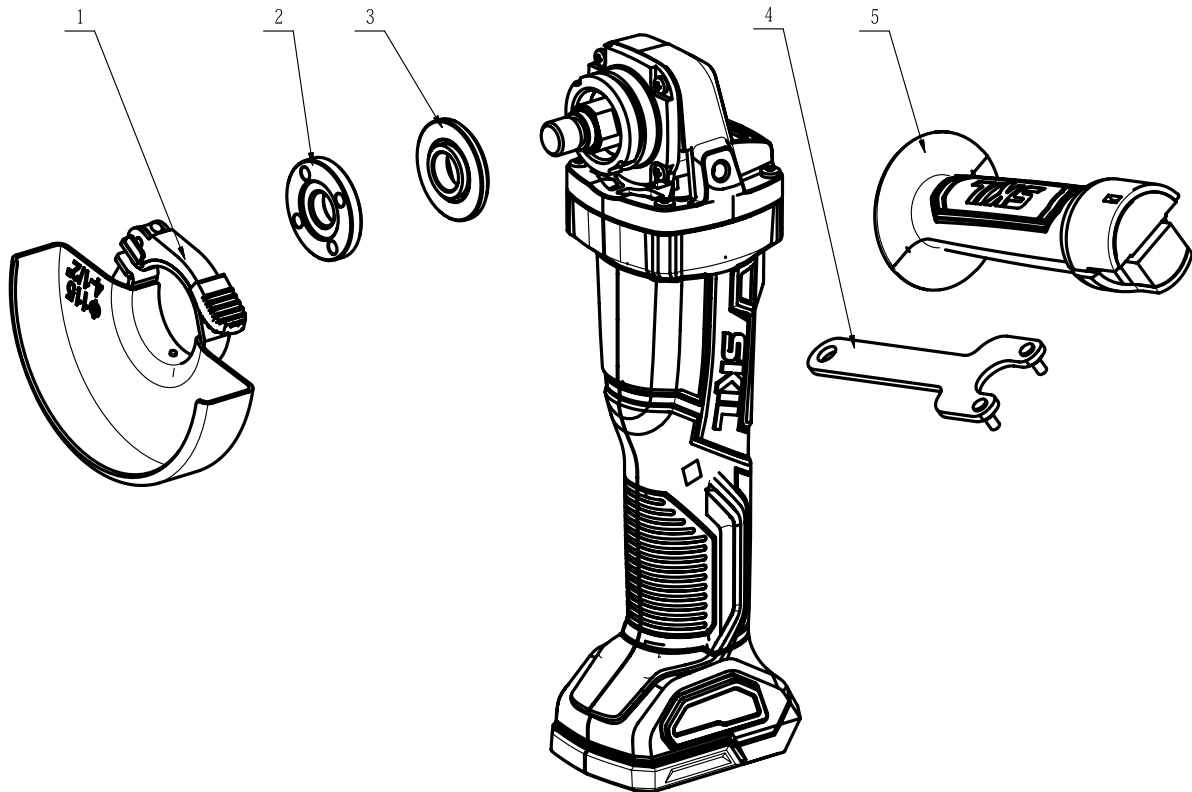




Product Description: Angle Grinder
Model Number: AG2907-00
Body Number: 0940008001
Version: A
Issue Date: 2019/07/04



No.	Product Model#	Part Number	Description	Qty
1	AG2907-00	2824704001	Guard ASSY	1
2	AG2907-00	3550130003	Outer Flange	1
3	AG2907-00	3550131003	Inner Flange	1
4	AG2907-00	3700567002	Wrench	1
5	AG2907-00	2825920001	Auxiliary Handle ASSY	1